

DESIGNER

CWS ARCHITECTS  
ARCHITECTURE | INTERIOR DESIGN  
434 CUMBERLAND AVENUE  
PORTLAND, MAINE 04101  
T: 207.774.4441  
F: 207.774.4016  
WWW.CWSARCH.COM

OWNER

NORTHFIELD GREEN  
HOUSING PARTNERS LP.  
ONE CITY CENTER, 4TH FLOOR  
PORTLAND, MAINE 04101

PROJECT

NORTHFIELD GREEN

DRAWING

BUILDING NO. 151  
ATTIC PLAN

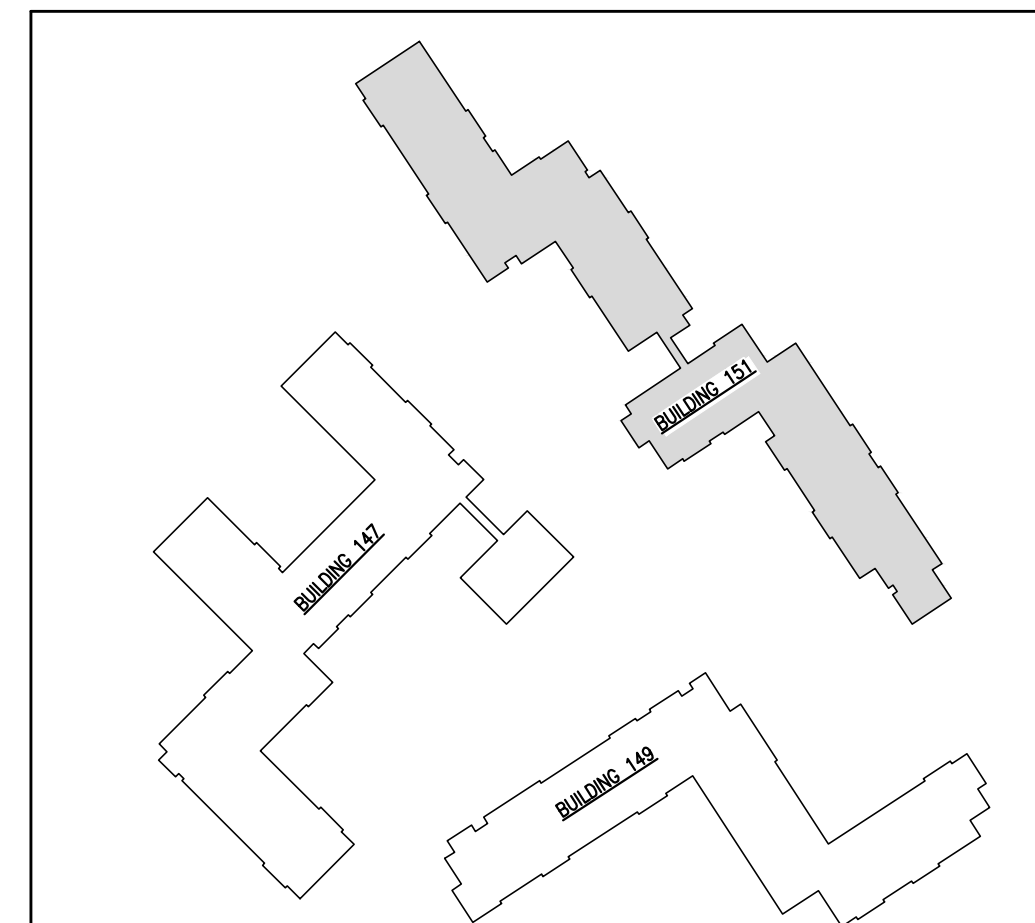
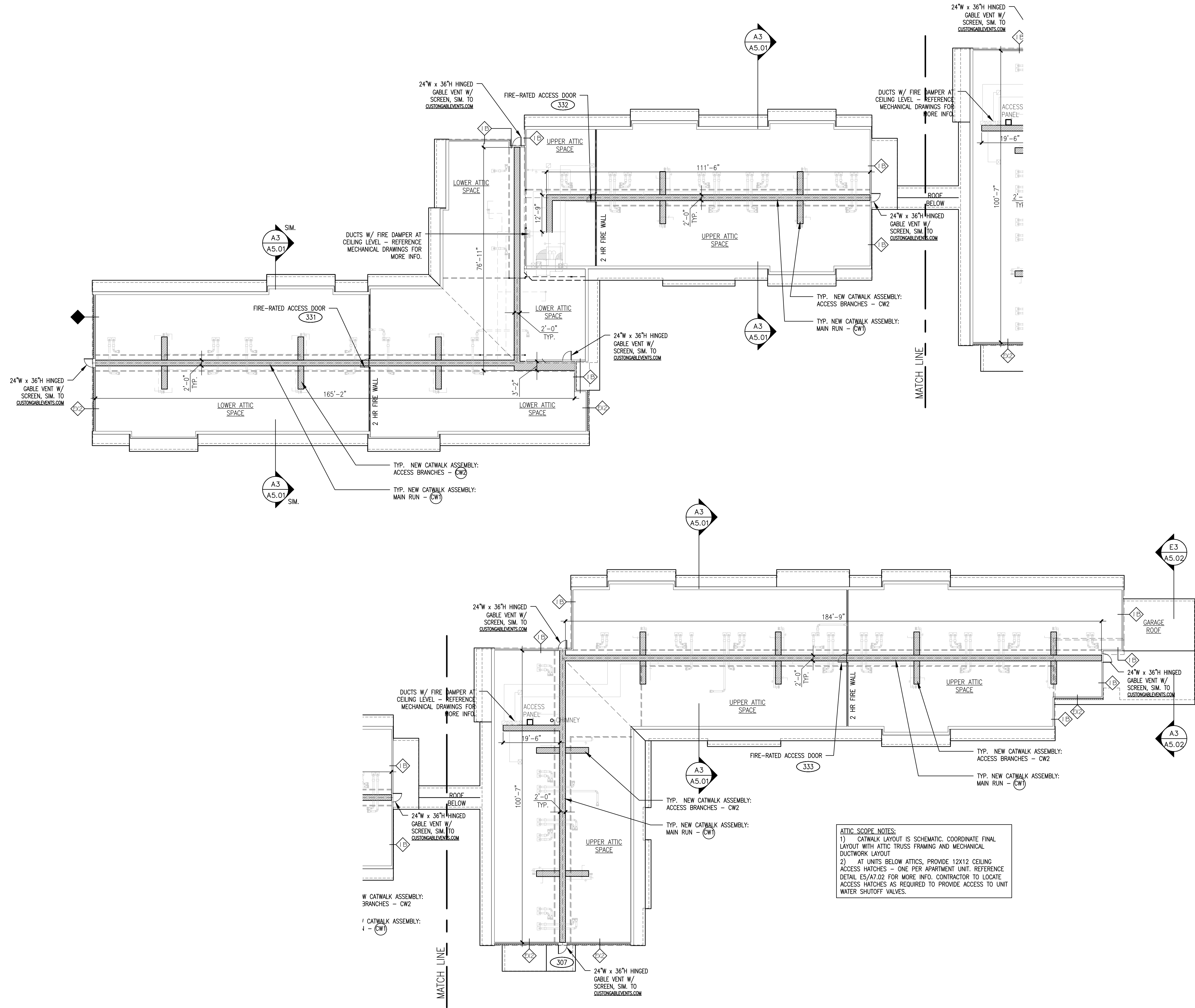
REVISIONS

| NO. | DATE | DESCRIPTION |
|-----|------|-------------|
|     |      |             |
|     |      |             |
|     |      |             |
|     |      |             |

DRAWING NUMBER  
**A1.33**

SCALE: AS NOTED  
DATE: 11/22/2017

ISSUED NOVEMBER 22, 2017



**A5** BUILDING NO. 151 - ATTIC PLAN  
REFERENCED FROM: TP2 SCALE: 1/16" = 1'-0"

**G5** KEY PLAN  
REFERENCED FROM: PLANS SCALE: NTS