

DESIGNER

CWS ARCHITECTS
ARCHITECTURE | INTERIOR DESIGN
434 CUMBERLAND AVENUE
PORTLAND, MAINE 04101
T: 207.774.4441
F: 207.774.4016
WWW.CWSARCH.COM

OWNER

NORTHFIELD GREEN
HOUSING PARTNERS LP.

ONE CITY CENTER, 4TH FLOOR
PORTLAND, MAINE 04101

PROJECT

NORTHFIELD GREEN

147 - 1ST ALLEN AVENUE
PORTLAND, MAINE 04101

DRAWING

BUILDING NO. 147
ATTIC PLAN

CWS PROJECT NUMBER: 16.010

REVISIONS

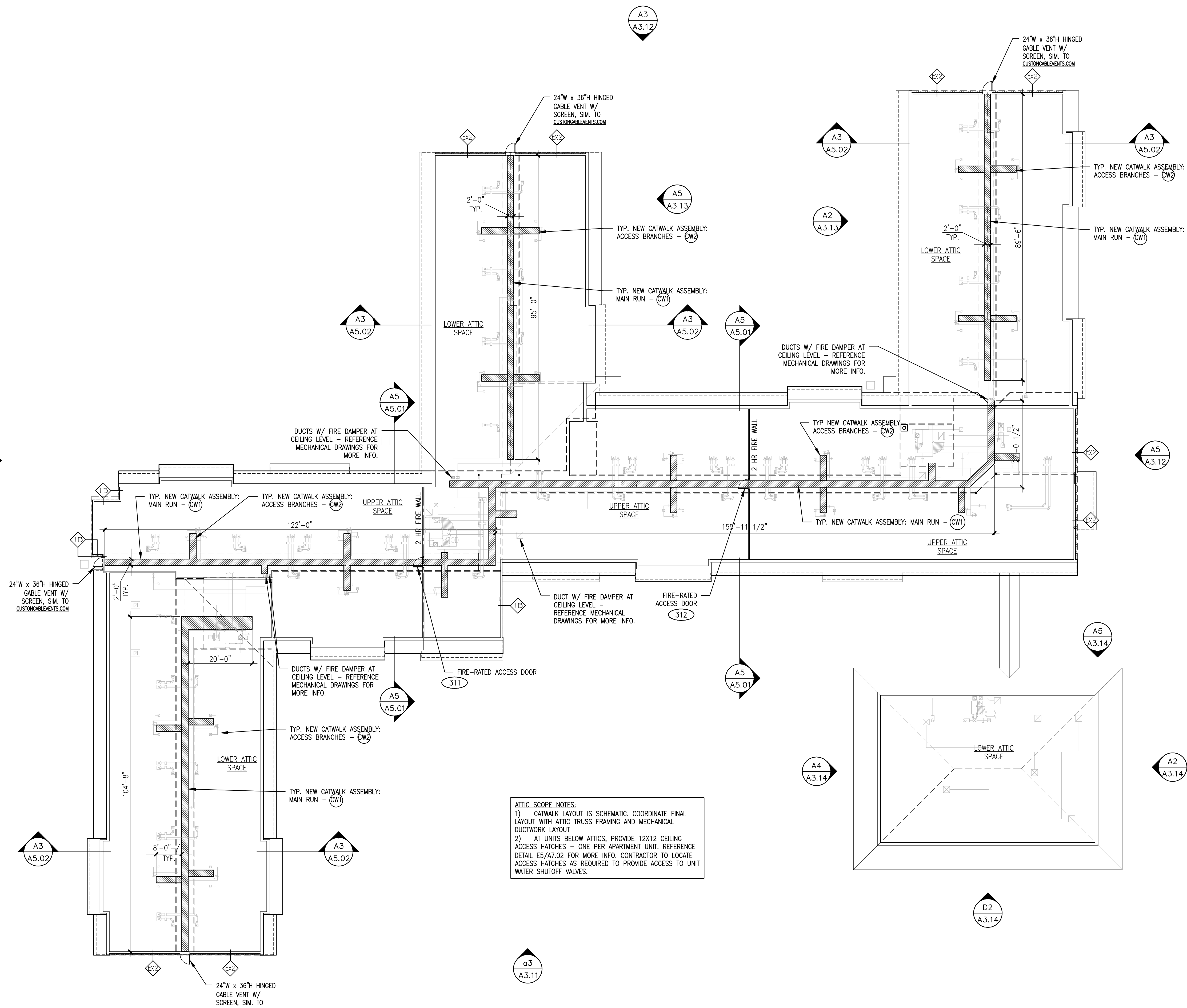
DRAWING NUMBER

A1.13

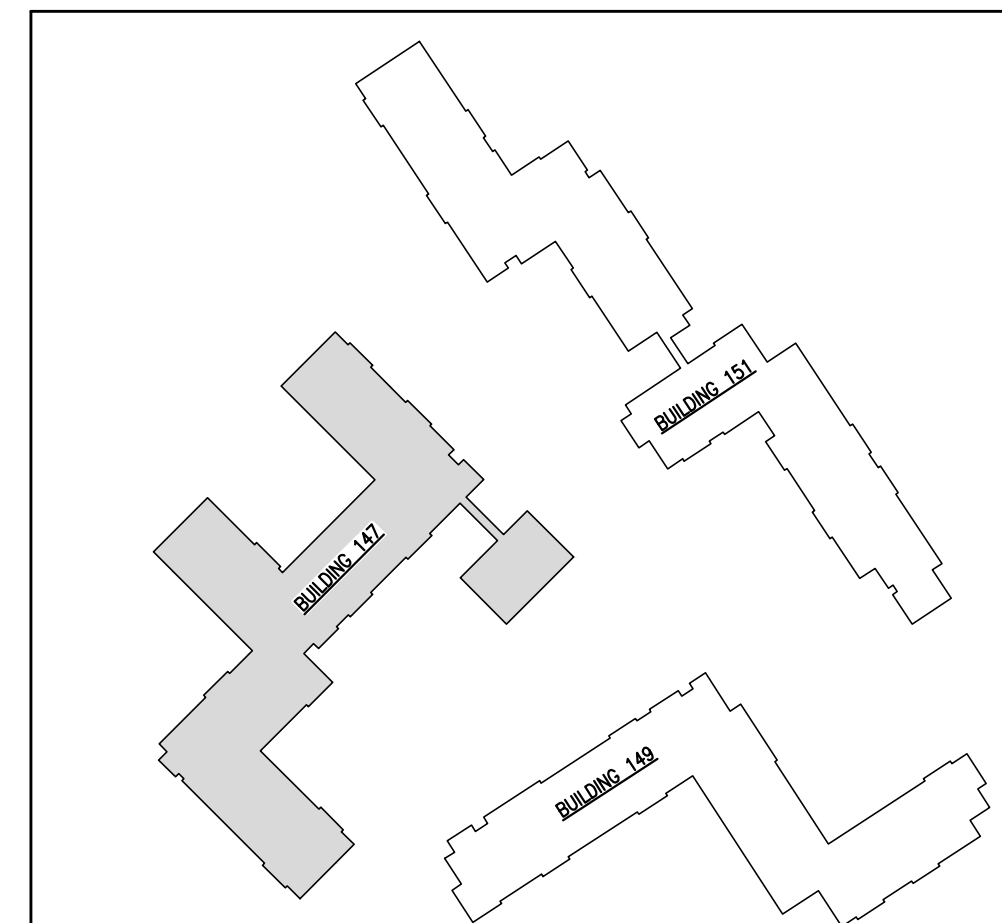
SCALE: AS NOTED

DATE: 11/22/2017

ISSUED NOVEMBER 22, 2017



ATTIC SCOPE NOTES:
1) CATWALK LAYOUT IS SCHEMATIC. COORDINATE FINAL LAYOUT WITH ATTIC TRUSS FRAMING AND MECHANICAL DUCTWORK LAYOUT.
2) AT UNITS BELOW ATTICS, PROVIDE 12X12 CEILING ACCESS HATCHES - ONE PER APARTMENT UNIT. REFERENCE DETAIL E5/A7.02 FOR MORE INFO. CONTRACTOR TO LOCATE ACCESS HATCHES AS REQUIRED TO PROVIDE ACCESS TO UNIT WATER SHUTOFF VALVES.



A5 BUILDING NO. 147 - ATTIC PLAN
REFERENCED FROM: TP2 SCALE: 1/16" = 1'-0"

G5 KEY PLAN
REFERENCED FROM: PLANS SCALE: NTS