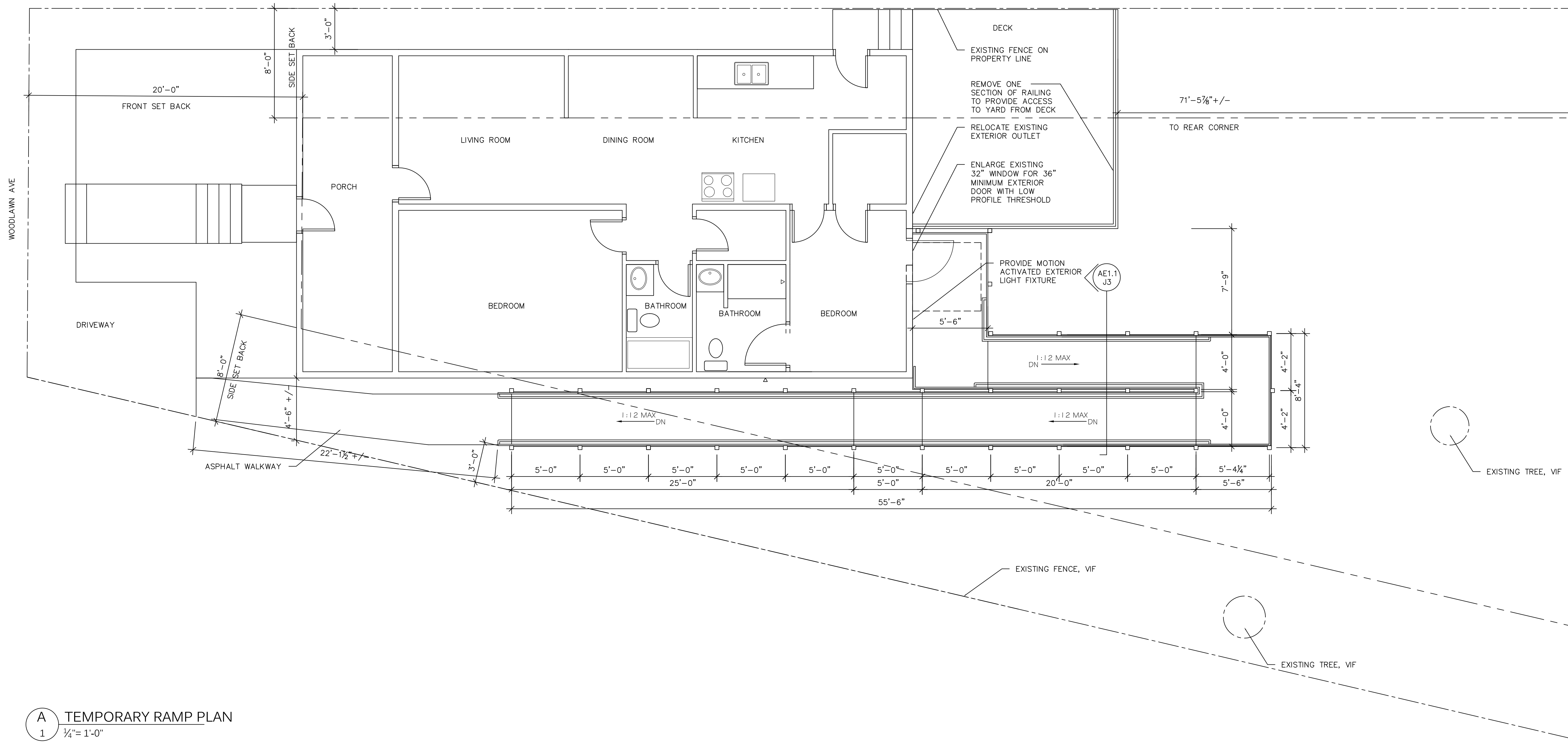


J
1 BATHROOM REMOVALS PLAN
1/2" = 1'-0"

J
2 BATHROOM FLOOR PLAN
1/2" = 1'-0"

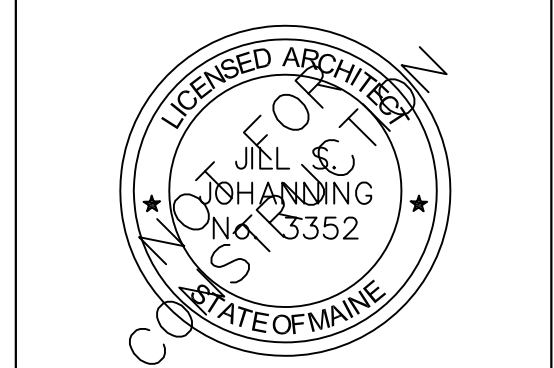
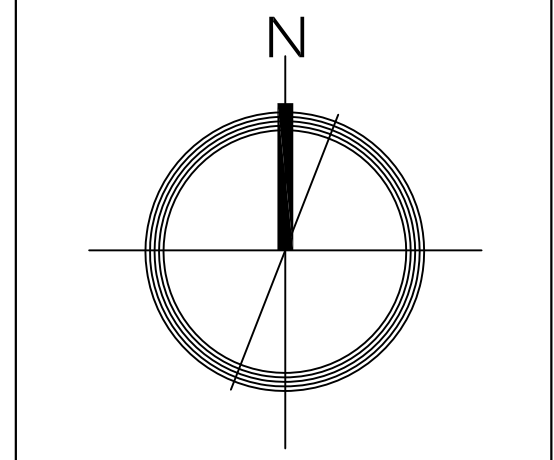
J
3 TEMPORARY RAMP SECTION
3/4" = 1'-0"



A
1 TEMPORARY RAMP PLAN
1/4" = 1'-0"



127 MAIN ST
 SO. PORTLAND, ME 04106
 ACCESSDESIGNME.ORG
 207.767.2189



30 WOODLAWN AVE
 RAMP & BATHROOM
 PORTLAND, MAINE

SEPTEMBER 1, 2017

TEMPORARY RAMP PLAN

PROJECT NO.: 107700

SCALE: AS NOTED

AE1.0