

434-C-5

331 Veranda St.

Expansion

Martin's St.



Section 2

Devices

Sign Type Key

Sign Types

Fonts & Graphics

Colors & Finishes

1 FRONT VIEW
SCALE: 1"=1'-0"

Indicates drawing number, drawing title and scale.

A1.2

Sign location call-out.

3

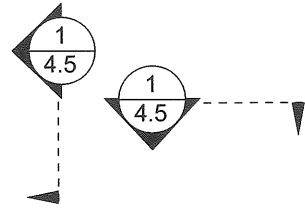
Specification call-out.

P5

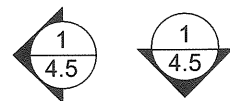
Color/Finish call-out.

Specification message

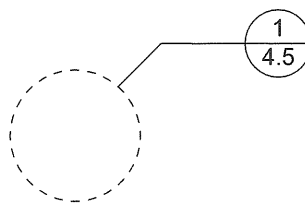
General Specification.



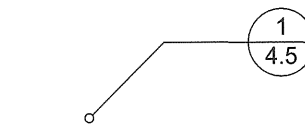
Indicates section view. Top figure represents drawing number and bottom figure represents page where drawing is located.



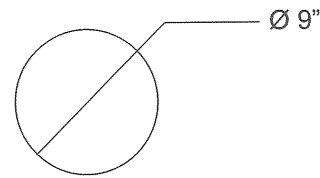
Indicates an alternate point of view.



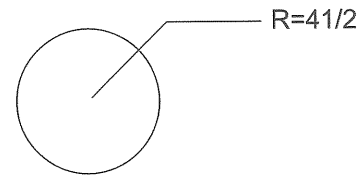
Indicates an area that has been blown up and detailed.



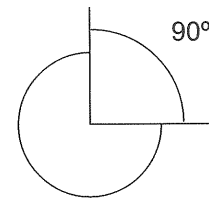
Indicates an alternate elevation or detail.



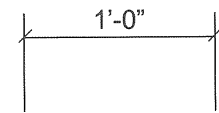
Indicates diameter



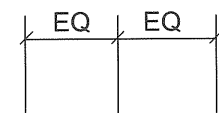
Indicates radius



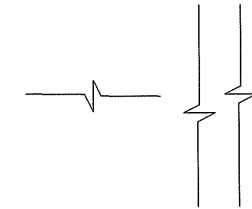
Indicates angle



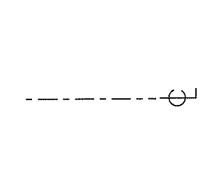
Indicates dimension



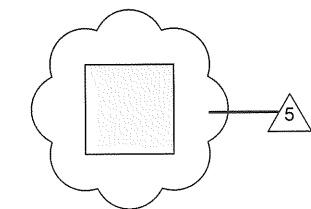
Indicates equal measurement.



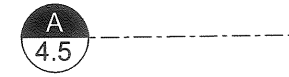
Indicates drawing break



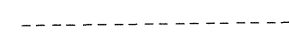
Indicates center line.



Indicates revised portion of a drawing.



Indicates match line. Matching edge (top letter). Page location (bottom number).



Hidden object line (.5 pt. thickness).



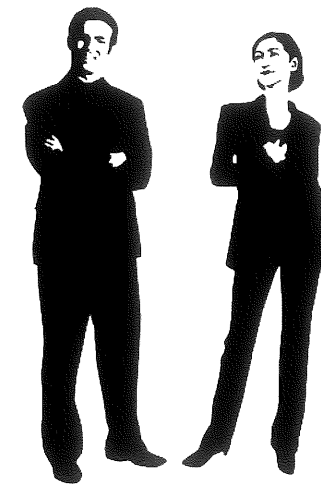
Visible object line (.5 pt. thickness).



Section or emphasis line (1 pt. thickness).



Grade or mounting surface line (2 pt. thickness).



Scale Figures.

Prepared for:

Martin's Point Health Care

Project:

Campus Wayfinding

Sheet Description:

Section 2
Devices

© 2008 Paulus Design Group. All rights reserved. This material is the property of Paulus Design Group. The recipient acknowledges that this material is proprietary and agrees not to use or disclose this material, or to make copies, without the written consent of Paulus Design Group, as long as the material remains confidential and property known only by Paulus Design Group and authorized recipients. These drawings are meant for Design Intent only and are not for construction. All dimensions and site conditions shall be verified by the Sign Contractor. Paulus Design Group shall be notified of any and all discrepancies, variations or substitutions from these documents. Shop drawings, specification details and samples shall be submitted to Paulus Design Group for approval prior to proceeding with fabrication. All copy shall be proofread by the client and legal requirements checked by their legal counsel.

Project Number:

PD1001

Page:

2.1

Date:

August 2008

Prepared for:

Martin's Point Health Care

Project:

Campus Wayfinding

Sheet Description:

Section 2
Sign Type Key

© 2008 Paulus Design Group. All rights reserved. This material is the property of Paulus Design Group. The recipient acknowledges that this material is proprietary and agrees not to use or disclose this material, or to make copies, without the written consent of Paulus Design Group, as long as the material remains confidential and property known only by Paulus Design Group and authorized recipients. These drawings are meant for Design Intent only and are not for construction. All dimensions and site conditions shall be verified by the Sign Contractor. Paulus Design Group shall be notified of any and all discrepancies, variations or substitutions from these documents. Shop drawings, specification details and samples shall be submitted to Paulus Design Group for approval prior to proceeding with fabrication. All copy shall be proofread by the client and legal requirements checked by their legal counsel.

Project Number:

PD1001

Page:

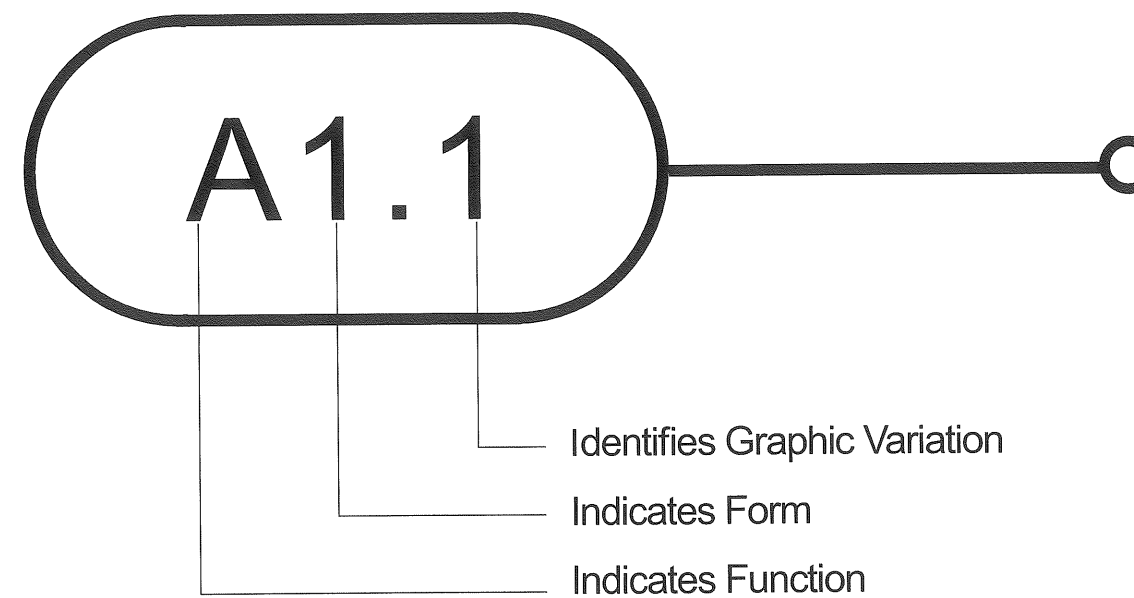
2.2

Date:

August 2008

Type	Description
A1.0	Identification
B1.0	Banner
D1.0	Directory
E1.0	Exhibit, Interpretive
F1.0	Flag, Pennant
G1.0	Gateway
H1.0	Accessible
K1.0	Kiosk, Interactive
P1.0	Pedestrian Directional
R1.0	Regulatory
V1.0	Vehicular Directional
Z1.0	Garnish, Decorative

Sign Location Call-out



Entry Sign v1 to come

Entry Sign v2 to come

paulus | design | group |

12 Court Street
Suite 201
Bath, Maine 04530

202.460.5315
www.paulusdesign.com

Prepared for:

Martin's Point Health Care

Project:

Campus Wayfinding

Sheet Description:

Section 2
Sign Types
G1 - v1 & v2

© 2008 Paulus Design Group. All rights reserved. This material is the property of Paulus Design Group. The recipient acknowledges that this material is proprietary and agrees not to use or disclose this material, or to make copies, without the written consent of Paulus Design Group, as long as the material remains confidential and property known only by Paulus Design Group and authorized recipients. These drawings are meant for Design Intent only and are not for construction. All dimensions and site conditions shall be verified by the Sign Contractor. Paulus Design Group shall be notified of any and all discrepancies, variations or substitutions from these documents. Shop drawings, specification details and samples shall be submitted to Paulus Design Group for approval prior to proceeding with fabrication. All copy shall be proofread by the client and legal requirements checked by their legal counsel.

Project Number:

PD1001

Page:

2.3

Date:

August 2008

Prepared for:

Martin's Point Health Care

Project:

Campus Wayfinding

Sheet Description:

Section 2
Sign Types
A1 v1 & v2

© 2008 Paulus Design Group. All rights reserved. This material is the property of Paulus Design Group. The recipient acknowledges that this material is proprietary and agrees not to use or disclose this material, or to make copies, without the written consent of Paulus Design Group, as long as the material remains confidential and property known only by Paulus Design Group and authorized recipients. These drawings are meant for Design Intent only and are not for construction. All dimensions and site conditions shall be verified by the Sign Contractor. Paulus Design Group shall be notified of any and all discrepancies, variations or substitutions from these documents. Shop drawings, specification details and samples shall be submitted to Paulus Design Group for approval prior to proceeding with fabrication. All copy shall be proofread by the client and legal requirements checked by their legal counsel.

Project Number:

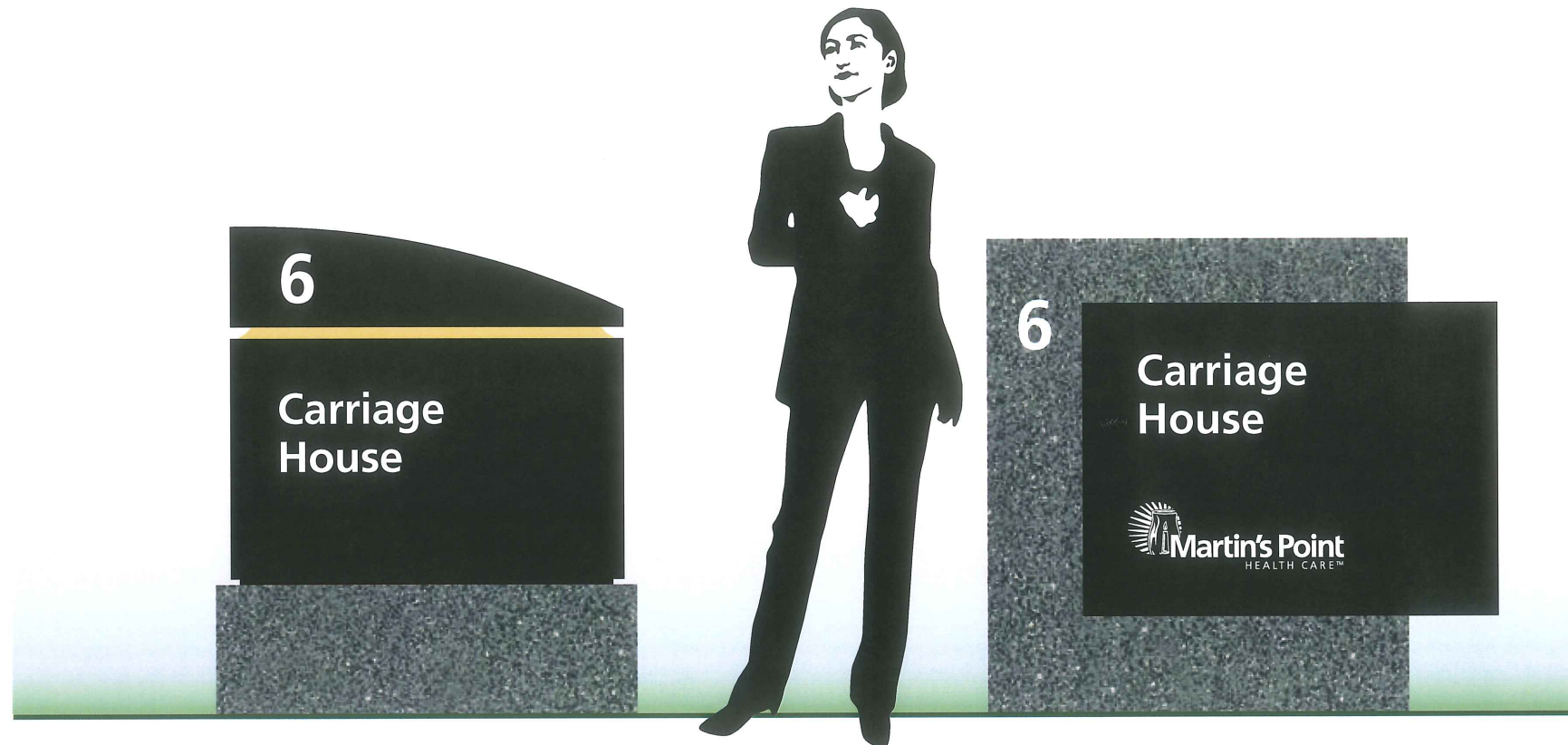
PD1001

Page:

2.4

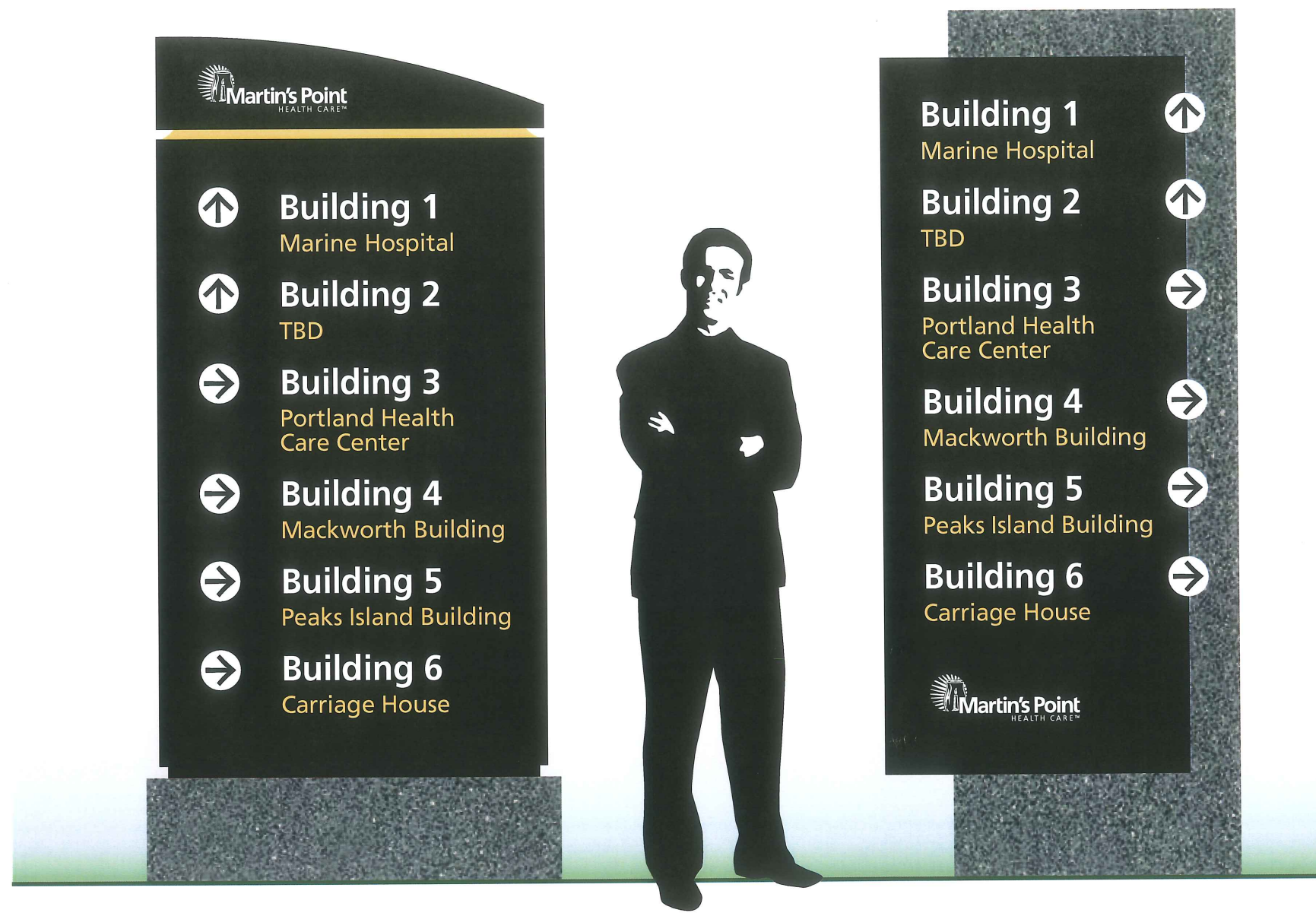
Date:

August 2008



1 TYPE A1 v1
NS

2 TYPE A1 v2
NS



1 TYPE V1 v1
NS

2 TYPE V1 v2
NS

Prepared for:
Martin's Point Health Care

Project:
Campus Wayfinding

Sheet Description:
Section 2
Sign Types
V1 v1 & v2

© 2008 Paulus Design Group. All rights reserved. This material is the property of Paulus Design Group. The recipient acknowledges that this material is proprietary and agrees not to use or disclose this material, or to make copies, without the written consent of Paulus Design Group, as long as the material remains confidential and property known only by Paulus Design Group and authorized recipients. These drawings are meant for Design Intent only and are not for construction. All dimensions and site conditions shall be verified by the Sign Contractor. Paulus Design Group shall be notified of any and all discrepancies, variations or substitutions from these documents. Shop drawings, specification details and samples shall be submitted to Paulus Design Group for approval prior to proceeding with fabrication. All copy shall be proofread by the client and legal requirements checked by their legal counsel.

Project Number: PD1001
Page: 2.5

Date:
August 2008

Prepared for:

Martin's Point Health Care

Project:

Campus Wayfinding

Sheet Description:

Section 2
Sign Types
D1, D2 & R1

© 2008 Paulus Design Group. All rights reserved. This material is the property of Paulus Design Group. The recipient acknowledges that this material is proprietary and agrees not to use or disclose this material, or to make copies, without the written consent of Paulus Design Group, as long as the material remains confidential and property known only by Paulus Design Group and authorized recipients. These drawings are meant for Design Intent only and are not for construction. All dimensions and site conditions shall be verified by the Sign Contractor. Paulus Design Group shall be notified of any and all discrepancies, variations or substitutions from these documents. Shop drawings, specification details and samples shall be submitted to Paulus Design Group for approval prior to proceeding with fabrication. All copy shall be proofread by the client and legal requirements checked by their legal counsel.

Project Number:

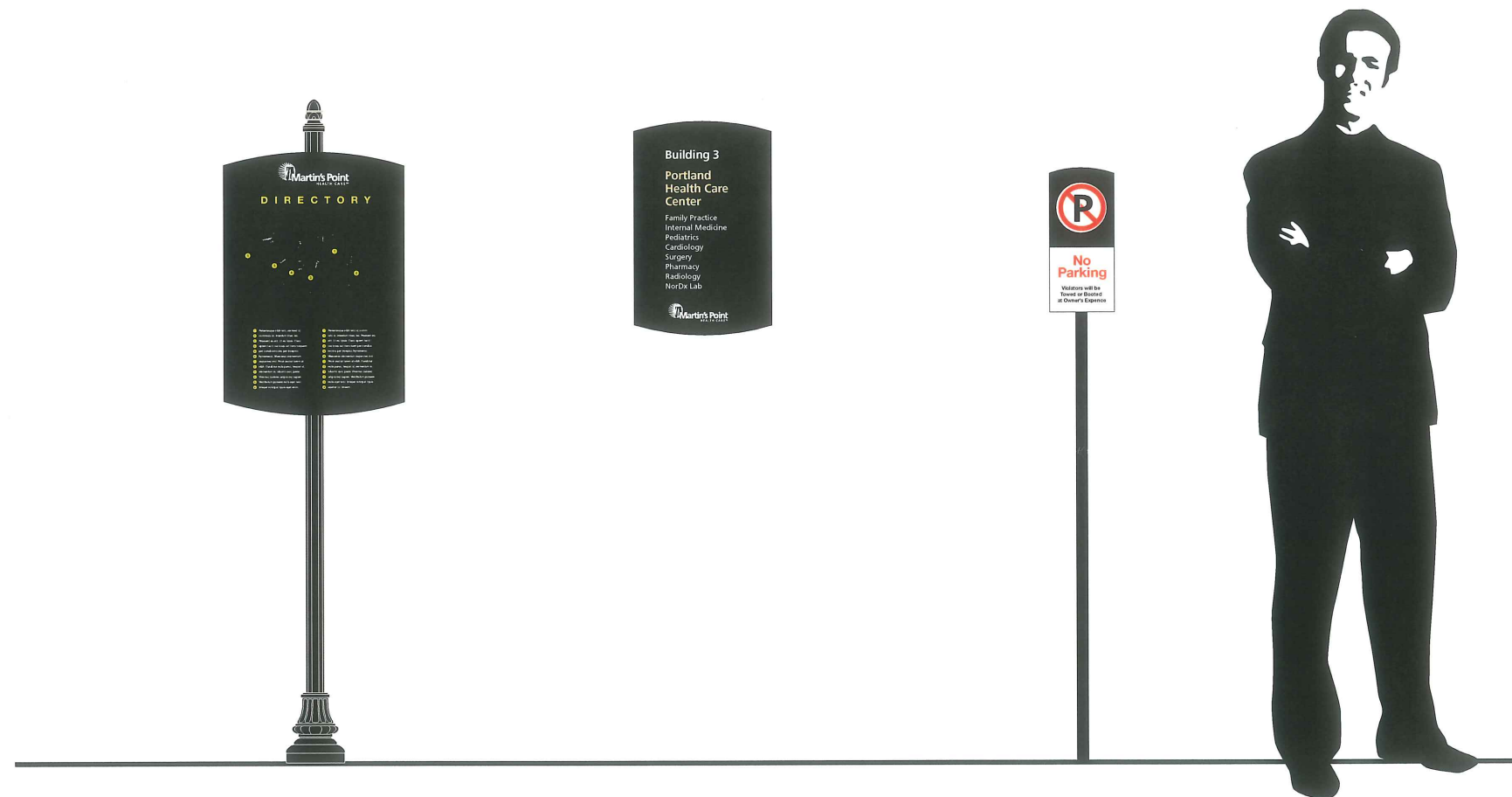
PD1001

Page:

2.6

Date:

August 2008



1 TYPE D1
NS

2 TYPE D2
NS

3 TYPE R1
NS

Prepared for:

Martin's Point Health Care

Project:

Campus Wayfinding

Sheet Description:

Section 2
Fonts & Graphic Standards

© 2008 Paulus Design Group. All rights reserved. This material is the property of Paulus Design Group. The recipient acknowledges that this material is proprietary and agrees not to use or disclose this material, or to make copies, without the written consent of Paulus Design Group, as long as the material remains confidential and property known only by Paulus Design Group and authorized recipients. These drawings are meant for Design Intent only and are not for construction. All dimensions and site conditions shall be verified by the Sign Contractor. Paulus Design Group shall be notified of any and all discrepancies, variations or substitutions from these documents. Shop drawings, specification details and samples shall be submitted to Paulus Design Group for approval prior to proceeding with fabrication. All copy shall be proofread by the client and legal requirements checked by their legal counsel.

Project Number:

PD1001

Page:

2.7

Date:

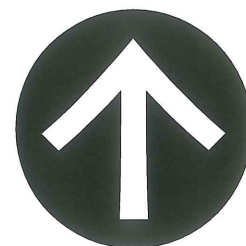
August 2008

ABCDEFGHIJKLMNOPQRSTUVWXYZ
abcdefghijklmnopqrstuvwxyz1234567890

Frutiger 55 Roman

ABCDEFGHIJKLMNOPQRSTUVWXYZ
abcdefghijklmnopqrstuvwxyz1234567890

Frutiger 65 Bold



Directional Arrow



No Parking Symbol



Corporate Logomark

Code	Description	Color / Finish / Specification	Manufacturer
-	-	-	-
-	-	-	-
-	-	-	-
-	-	-	-
-	-	-	-
-	-	-	-
-	-	-	-
-	-	-	-

TO COME

paulus | design | group |

12 Court Street
Suite 201
Bath, Maine 04530

202.460.5315
www.paulusdesign.com

Prepared for:

Martin's Point Health Care

Project:

Campus Wayfinding

Sheet Description:

Section 2
Colors & Finishes

© 2008 Paulus Design Group. All rights reserved.
This material is the property of Paulus Design Group. The recipient acknowledges that this material is proprietary and agrees not to use or disclose this material, or to make copies, without the written consent of Paulus Design Group, as long as the material remains confidential and property known only by Paulus Design Group and authorized recipients. These drawings are meant for Design Intent only and are not for construction. All dimensions and site conditions shall be verified by the Sign Contractor. Paulus Design Group shall be notified of any and all discrepancies, variations or substitutions from these documents. Shop drawings, specification details and samples shall be submitted to Paulus Design Group for approval prior to proceeding with fabrication. All copy shall be proofread by the client and legal requirements checked by their legal counsel.

Project Number:

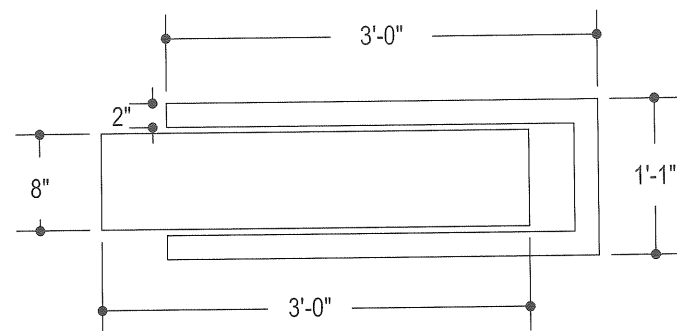
PD1001

Page:

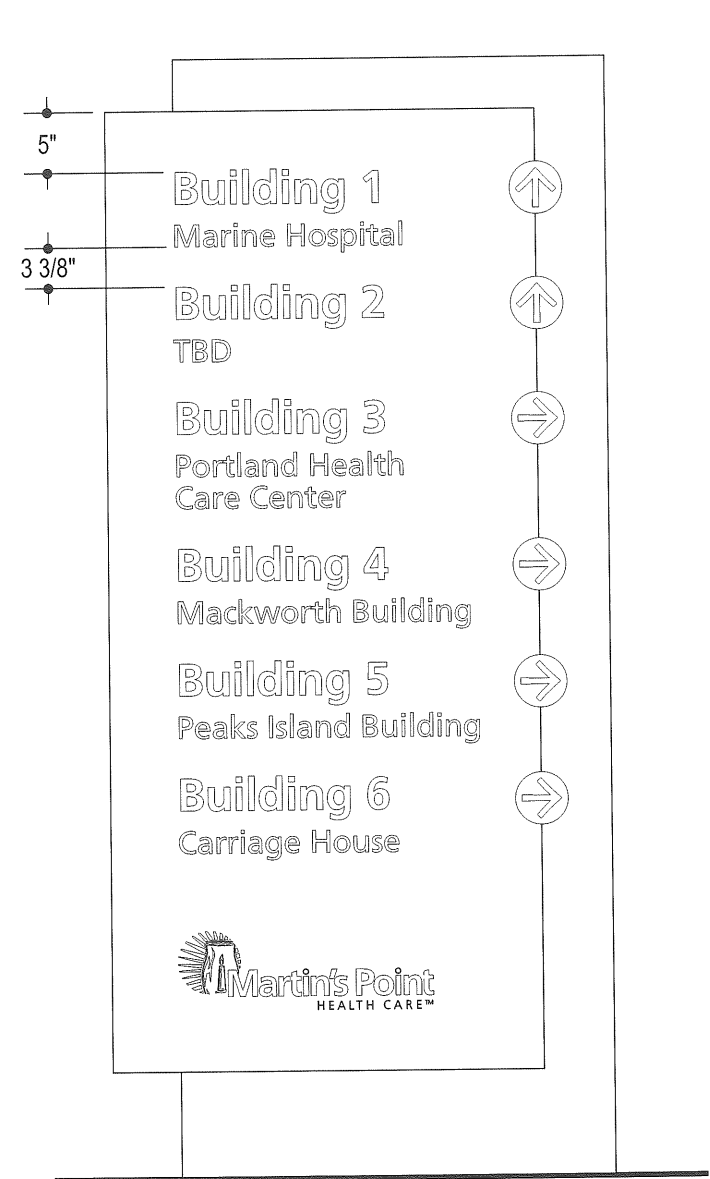
2.8

Date:

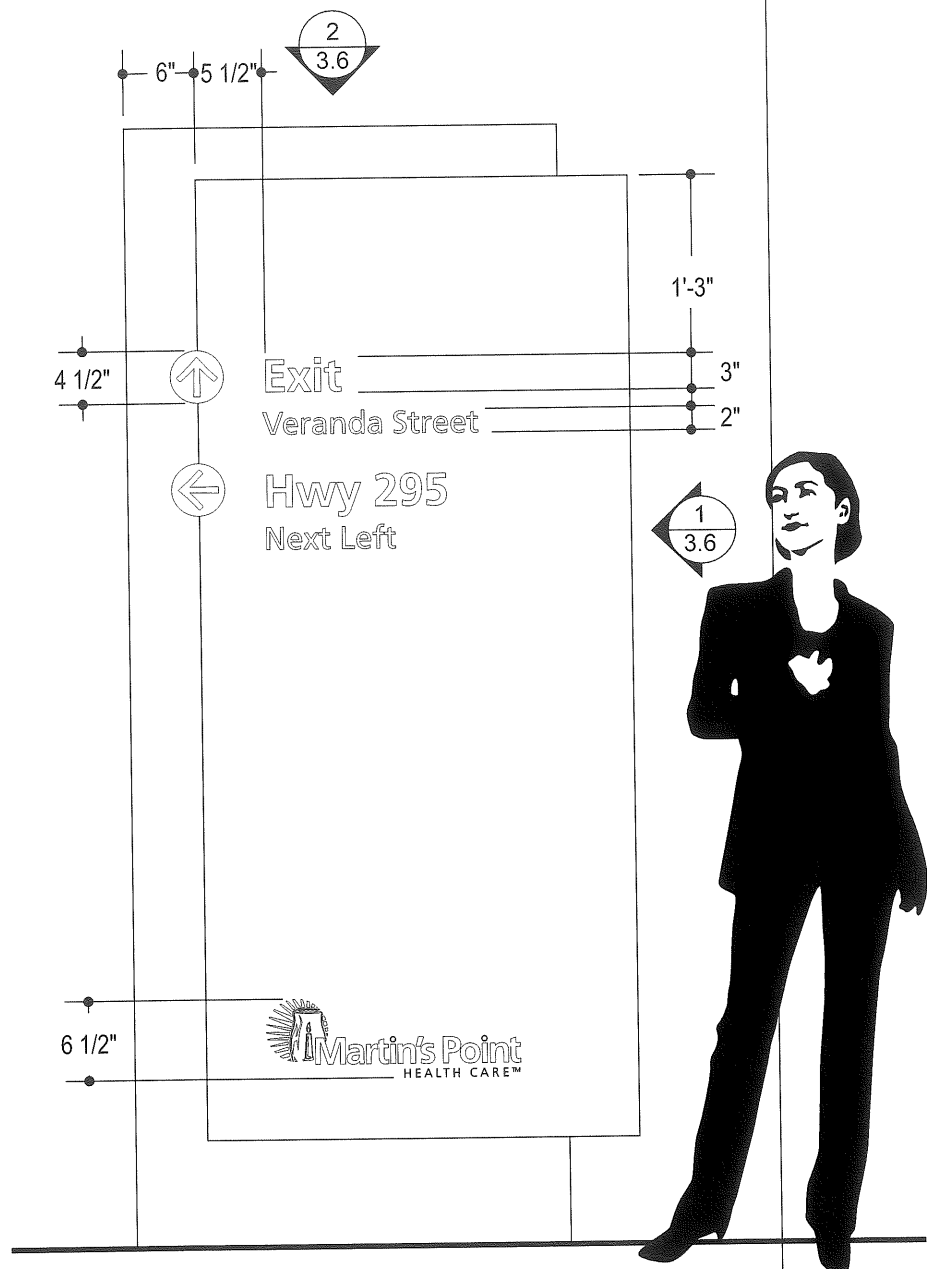
August 2008



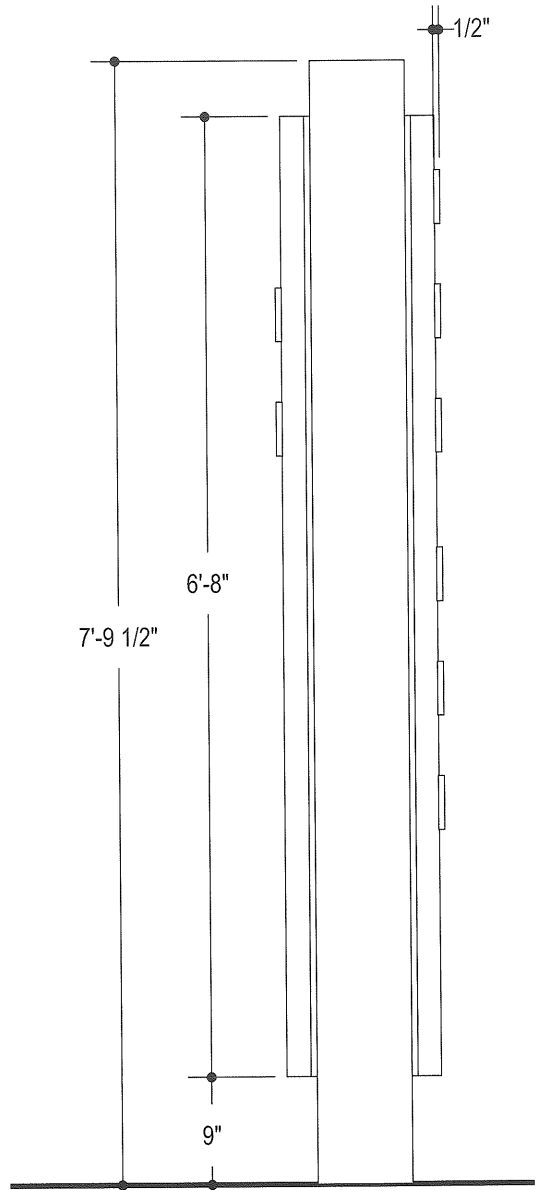
2 PLAN VIEW
SCALE: 3/4"=1'-0"



3 FRONT ELEVATION
SCALE: 3/4"=1'-0"



4 REAR ELEVATION
SCALE: 3/4"=1'-0"



1 SIDE ELEVATION
SCALE: 3/4"=1'-0"

1 Specs to Come...

paulus | design | group |

12 Court Street
Suite 201
Bath, Maine 04530
202.460.5315
www.paulusdesign.com

Prepared for:
Martin's Point Health Care

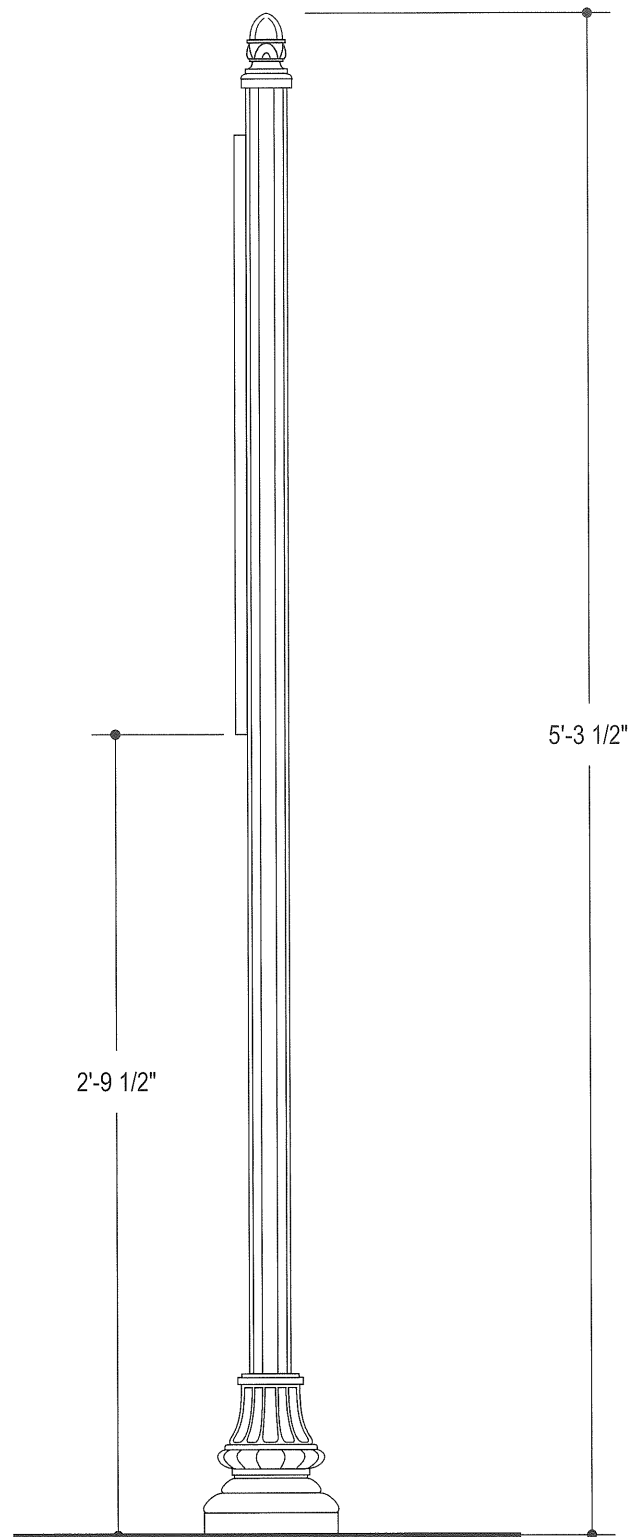
Project:
Campus Wayfinding

Sheet Description:
Section 3
Drawings
Sign Types V1 v2
Identity

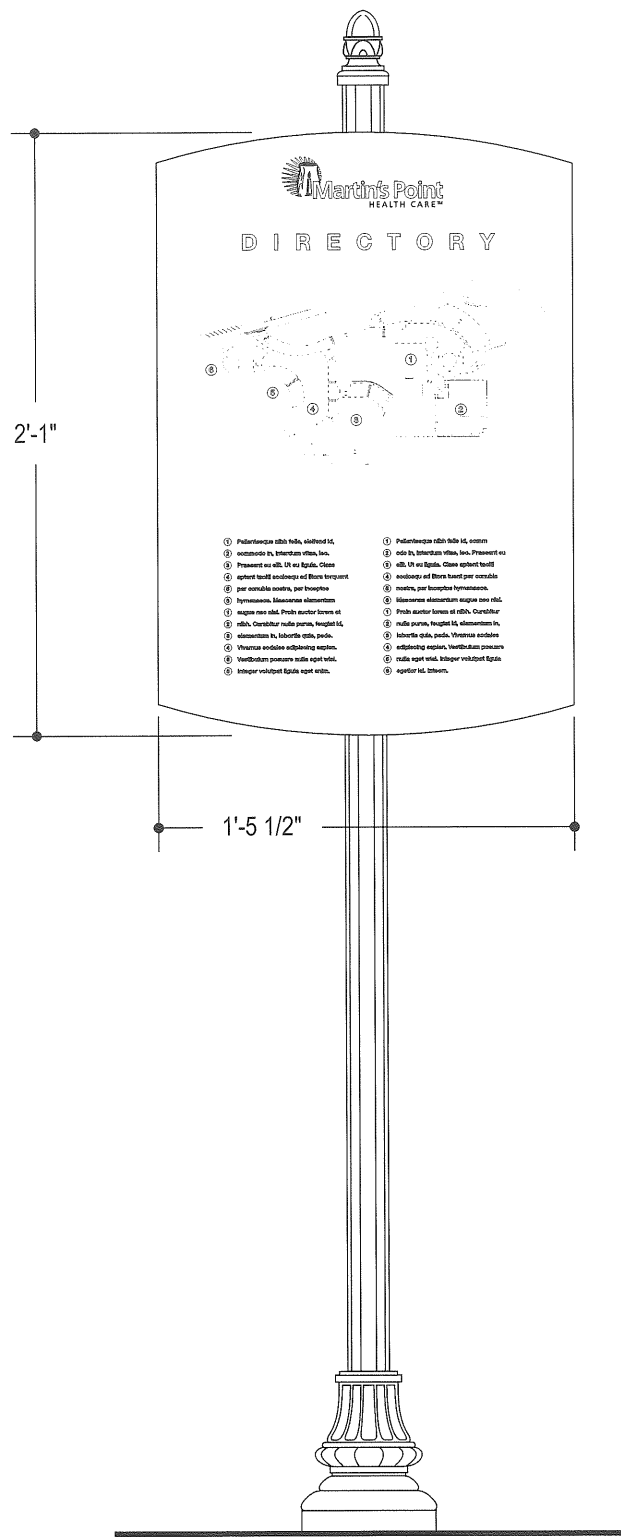
© 2008 Paulus Design Group. All rights reserved. This material is the property of Paulus Design Group. The recipient acknowledges that this material is proprietary and agrees not to use or disclose this material, or to make copies, without the written consent of Paulus Design Group, as long as the material remains confidential and property known only by Paulus Design Group and authorized recipients. These drawings are meant for Design Intent only and are not for construction. All dimensions and site conditions shall be verified by the Sign Contractor. Paulus Design Group shall be notified of any and all discrepancies, variations or substitutions from these documents. Shop drawings, specification details and samples shall be submitted to Paulus Design Group for approval prior to proceeding with fabrication. All copy shall be proofread by the client and legal requirements checked by their legal counsel.

Project Number: PD1001
Page: 3.6

Date:
August 2008



1 SIDE ELEVATION
SCALE: 1 1/2"=1'-0"



2 FRONT ELEVATION
SCALE: 1 1/2"=1'-0"

1 Specs to Come...

paulus | design | group |

12 Court Street Suite 201 Bath, Maine 04530
202.460.5315 www.paulusdesign.com

Prepared for:
Martin's Point Health Care

Project:
Campus Wayfinding

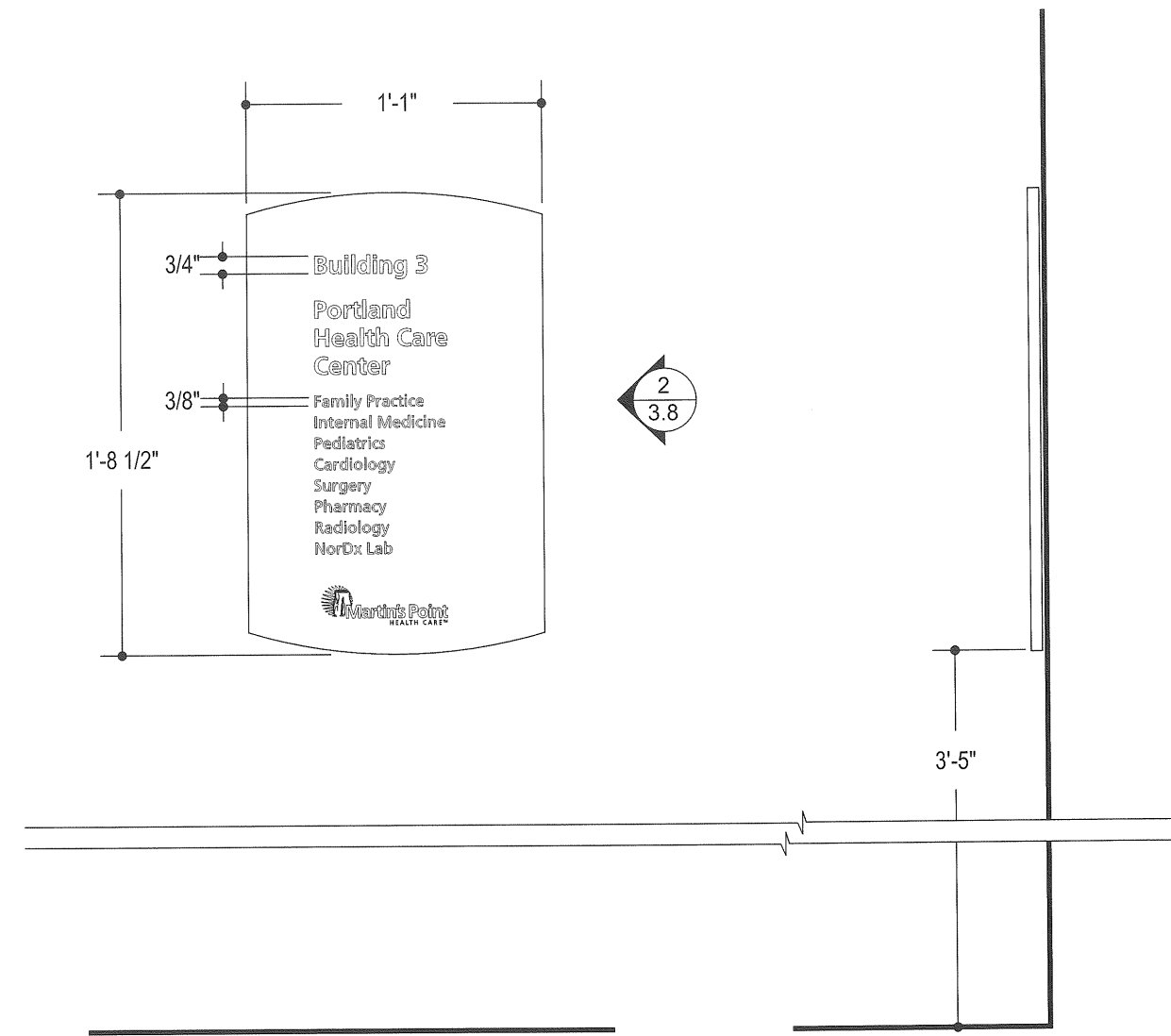
Sheet Description:
Section 3
Drawings
Sign Types D1
Directory

© 2008 Paulus Design Group. All rights reserved. This material is the property of Paulus Design Group. The recipient acknowledges that this material is proprietary and agrees not to use or disclose this material, or to make copies, without the written consent of Paulus Design Group, as long as the material remains confidential and property known only by Paulus Design Group and authorized recipients. These drawings are meant for Design Intent only and are not for construction. All dimensions and site conditions shall be verified by the Sign Contractor. Paulus Design Group shall be notified of any and all discrepancies, variations or substitutions from these documents. Shop drawings, specification details and samples shall be submitted to Paulus Design Group for approval prior to proceeding with fabrication. All copy shall be proofread by the client and legal requirements checked by their legal counsel.

Project Number: PD1001
Page: 3.7

Date:
August 2008

1 Specs to Come...



1 FRONT ELEVATION
SCALE: 1 1/2"=1'-0"

2 SIDE ELEVATION
SCALE: 1 1/2"=1'-0"

paulus | design | group |

12 Court Street
Suite 201
Bath, Maine 04530
202.460.5315
www.paulusdesign.com

Prepared for:
Martin's Point Health Care

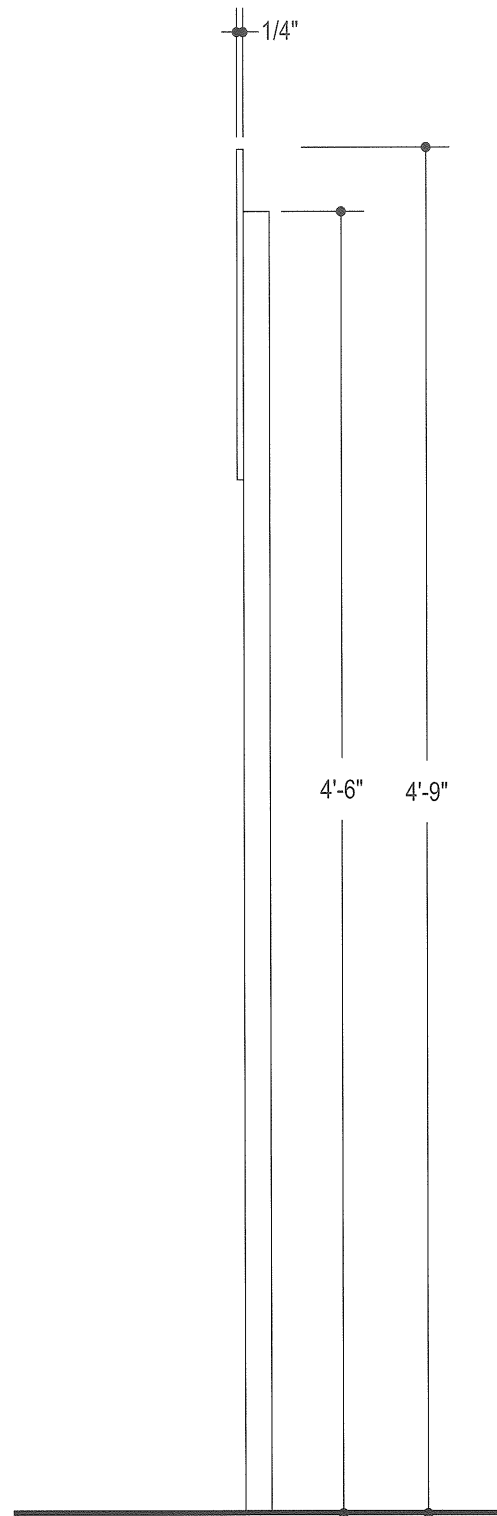
Project:
Campus Wayfinding

Sheet Description:
Section 3
Drawings
Sign Types D2
Building Directory

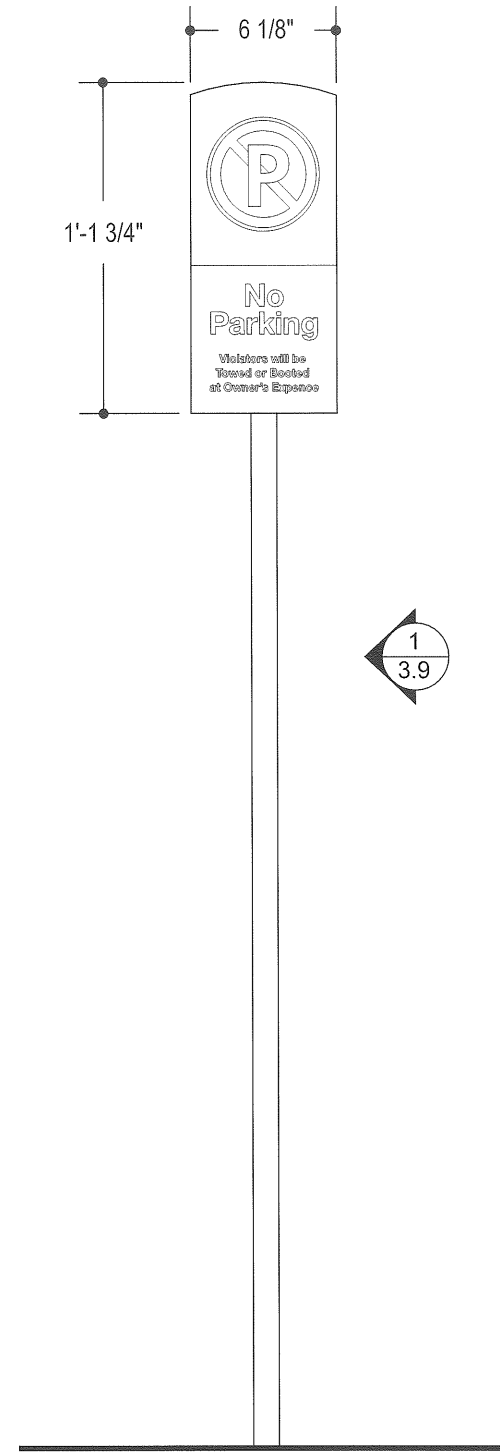
© 2008 Paulus Design Group. All rights reserved.
This material is the property of Paulus Design Group. The recipient acknowledges that this material is proprietary and agrees not to use or disclose this material, or to make copies, without the written consent of Paulus Design Group, as long as the material remains confidential and property known only by Paulus Design Group and authorized recipients. These drawings are meant for Design Intent only and are not for construction. All dimensions and site conditions shall be verified by the Sign Contractor. Paulus Design Group shall be notified of any and all discrepancies, variations or substitutions from these documents. Shop drawings, specification details and samples shall be submitted to Paulus Design Group for approval prior to proceeding with fabrication. All copy shall be proofread by the client and legal requirements checked by their legal counsel.

Project Number: PD1001
Page: 3.8

Date:
August 2008



1 SIDE ELEVATION
SCALE: 1 1/2"=1'-0"



2 FRONT ELEVATION
SCALE: 1 1/2"=1'-0"

1 Specs to Come...

paulus | design | group |

12 Court Street
Suite 201
Bath, Maine 04530

202.460.5315
www.paulusdesign.com

Prepared for:
Martin's Point Health Care

Project:
Campus Wayfinding

Sheet Description:
Section 3
Drawings
Sign Types R1
No Parking

© 2008 Paulus Design Group. All rights reserved.
This material is the property of Paulus Design Group.
The recipient acknowledges that this material is proprietary and agrees not to use or disclose this material, or to make copies, without the written consent of Paulus Design Group, as long as the material remains confidential and property known only by Paulus Design Group and authorized recipients. These drawings are meant for Design Intent only and are not for construction. All dimensions and site conditions shall be verified by the Sign Contractor. Paulus Design Group shall be notified of any and all discrepancies, variations or substitutions from these documents. Shop drawings, specification details and samples shall be submitted to Paulus Design Group for approval prior to proceeding with fabrication. All copy shall be proofread by the client and legal requirements checked by their legal counsel.

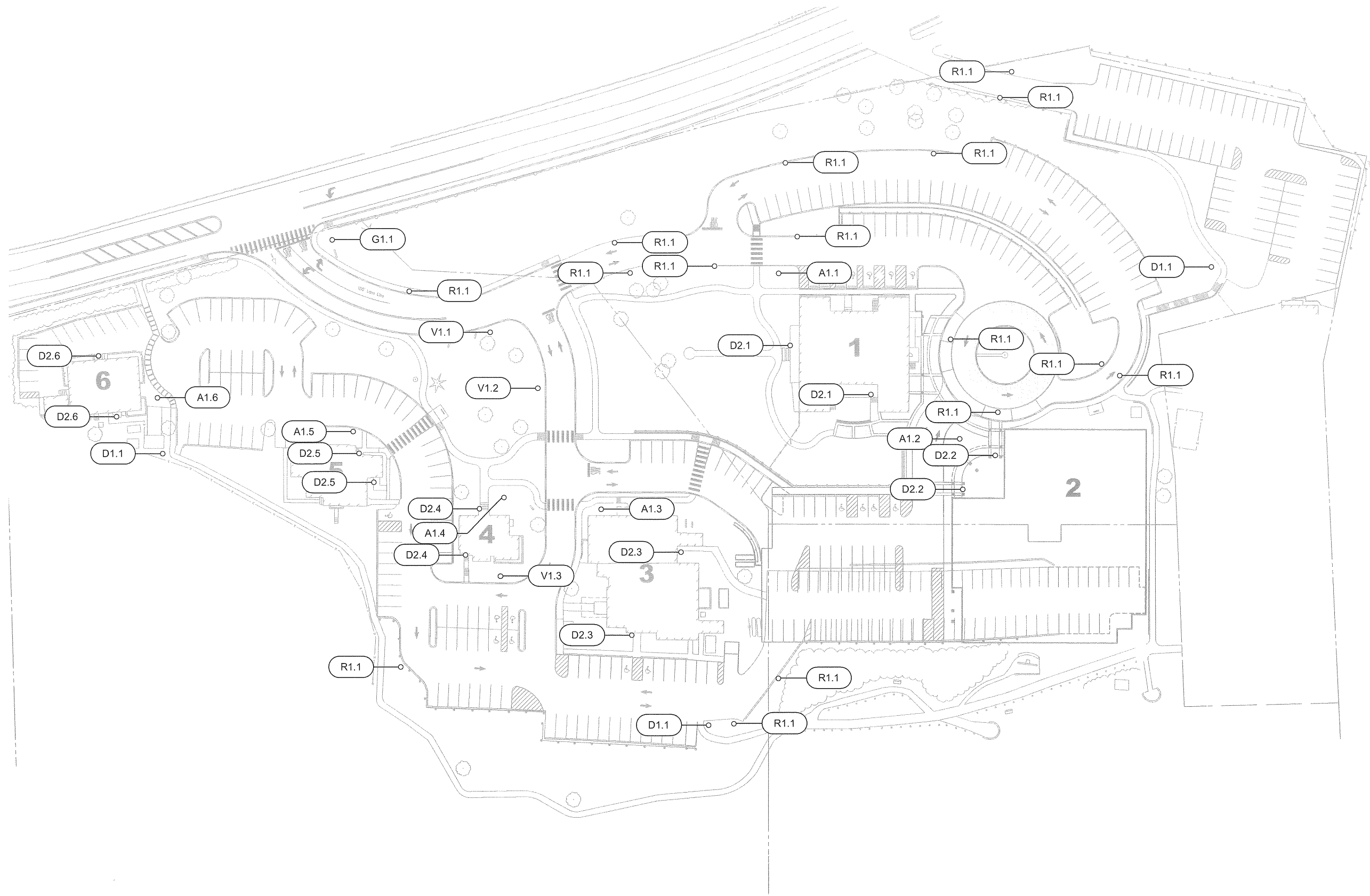
Project Number: PD1001
Page: 3.9

Date:
August 2008

Section 3

Location Plan





Prepared for:
Martin's Point Health Care

Project:
Campus Wayfinding

Sheet Description:
**Section 3
Location Plan**

© 2008 Paulus Design Group. All rights reserved. This material is the property of Paulus Design Group. The recipient acknowledges that this material is proprietary and agrees not to use or disclose this material, or to make copies, without the written consent of Paulus Design Group, as long as the material remains confidential and property known only by Paulus Design Group and authorized recipients. These drawings are meant for Design Intent only and are not for construction. All dimensions and site conditions shall be verified by the Sign Contractor. Paulus Design Group shall be notified of any and all discrepancies, variations or substitutions from these documents. Shop drawings, specification details and samples shall be submitted to Paulus Design Group for approval prior to proceeding with fabrication. All copy shall be proofread by the client and legal requirements checked by their legal counsel.



Project Number: PD1001

Page: 3.11

Date:
August 2008

Section 4

Message Schedule

Sign Type	Face	Message	Comments	Qty
G1.1	A		Martin's Point Health Care Gateway monument	1
A1.1			1 Marine Hospital Free-standing identity	1
A1.2			2 (TBD) Free-standing identity	1
A1.3			3 Portland Health Care Center Free-standing identity	1
A1.4			4 Mackworth Building Free-standing identity	1
A1.5			5 Peaks Island Building Free-standing identity	1
A1.6			6 Carriage House Free-standing identity	1
V1.1	A	↑ ↑ → → → → →	(logo) Building 1 Marine Hospital Building 2 (TBD) Building 3 Portland Health Care Center Building 4 Mackworth Building Building 5 Peaks Island Building Building 6 Carriage House	1
	B	↑ ↩	(logo) Exit Veranda Street Next Left Hwy 295	
V1.2	A	← → → →	(logo) Building 3 Portland Health Care Center Building 4 Mackworth Building Building 5 Peaks Island Building Building 6 Carriage House	
	B	→ → ←	(logo) Building 1 Marine Hospital Building 2 (TBD) Exit	

paulus | design | group |

12 Court Street
Suite 201
Bath, Maine 04530

202.460.5315
www.paulusdesign.com

Prepared for:
Martin's Point Health Care

Project:
Campus Wayfinding

Sheet Description:
Section 4
Message Schedule

© 2008 Paulus Design Group. All rights reserved.
This material is the property of Paulus Design Group.
The recipient acknowledges that this material is proprietary and agrees not to use or disclose this material, or to make copies, without the written consent of Paulus Design Group, as long as the material remains confidential and property known only by Paulus Design Group and authorized recipients. These drawings are meant for Design Intent only and are not for construction. All dimensions and site conditions shall be verified by the Sign Contractor. Paulus Design Group shall be notified of any and all discrepancies, variations or substitutions from these documents. Shop drawings, specification details and samples shall be submitted to Paulus Design Group for approval prior to proceeding with fabrication. All copy shall be proofread by the client and legal requirements checked by their legal counsel.

Project Number: PD1001
Page: 4.1
Date: August 2008

Sign Type	Face	Message	Comments	Qty	
V1.3	A	→ →	(logo) Building 5 Peaks Island Building Building 6 Carriage House	1	
	B	← ← ↑ ←	(logo) Building 1 Marine Hospital Building 2 (TBD) Building 3 Portland Health Care Center Exit		
D1.1	A		(Campus Map) (logo)		TBD
D2.1	A		Building 1 Marine Hospital (Department Listing)		TBD
D2.2	A		Building 2 TBD (Department Listing)		TBD
D2.3	A		Building 3 Portland Health Care Center (Department Listing)	TBD	
D2.4	A		Building 4 Mackworth Building (Department Listing)	TBD	
D2.5	A		Building 5 Peaks Island Building (Department Listing)	TBD	
D2.6	A		Building 6 Carriage House (Department Listing)	TBD	
R1.1	A		(No Parking Symbol)	TBD	

paulus|design|group|

12 Court Street
Suite 201
Bath, Maine 04530

202.460.5315
www.paulusdesign.com

Prepared for:

Martin's Point Health Care

Project:

Campus Wayfinding

Sheet Description:

Section 4
Message Schedule

© 2008 Paulus Design Group. All rights reserved. This material is the property of Paulus Design Group. The recipient acknowledges that this material is proprietary and agrees not to use or disclose this material, or to make copies, without the written consent of Paulus Design Group, as long as the material remains confidential and property known only by Paulus Design Group and authorized recipients. These drawings are meant for Design Intent only and are not for construction. All dimensions and site conditions shall be verified by the Sign Contractor. Paulus Design Group shall be notified of any and all discrepancies, variations or substitutions from these documents. Shop drawings, specification details and samples shall be submitted to Paulus Design Group for approval prior to proceeding with fabrication. All copy shall be proofread by the client and legal requirements checked by their legal counsel.

Project Number:

PD1001

Page:

4.2

Date:

August 2008