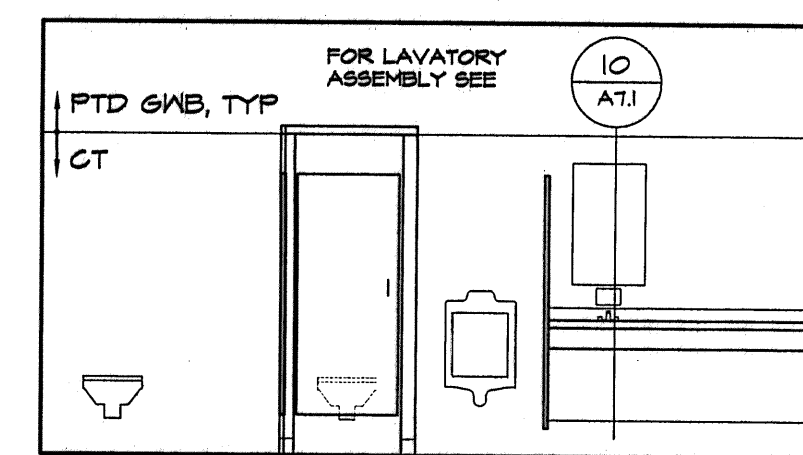
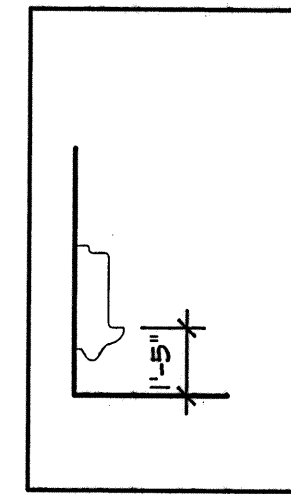


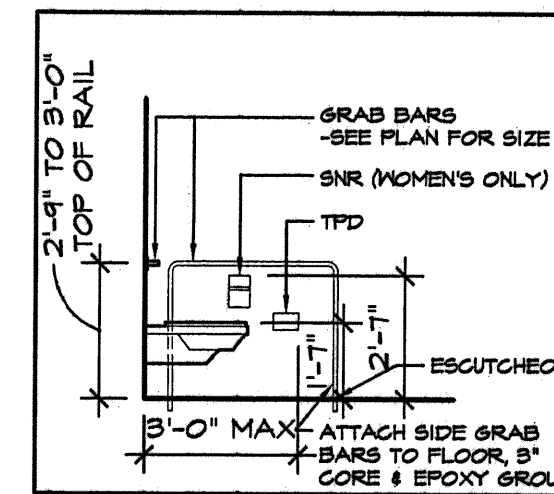
3 NORTH ELEVATION WMN'S ROOM  
1/4"=1'-0"



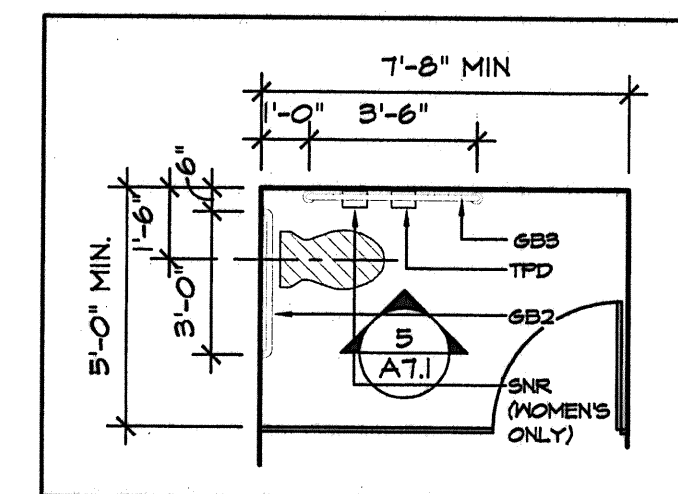
2 SOUTH ELEVATION MEN'S ROOM  
1/4"=1'-0"



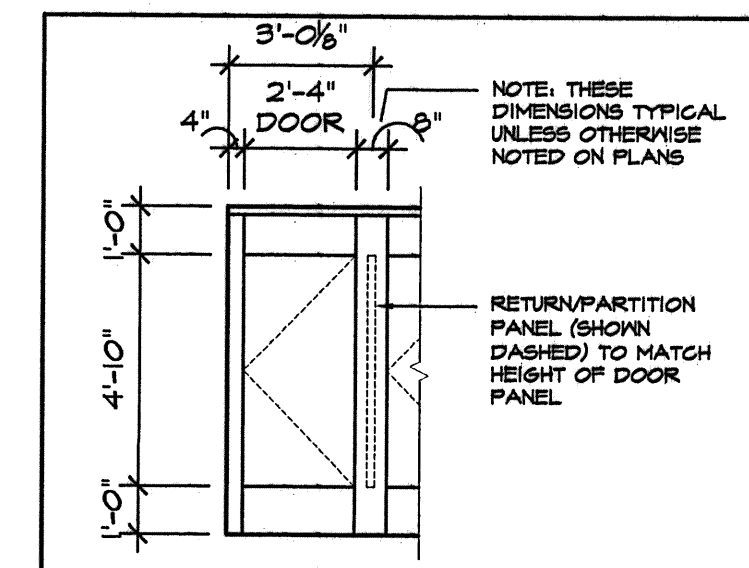
6 URINAL  
1/4"=1'-0"



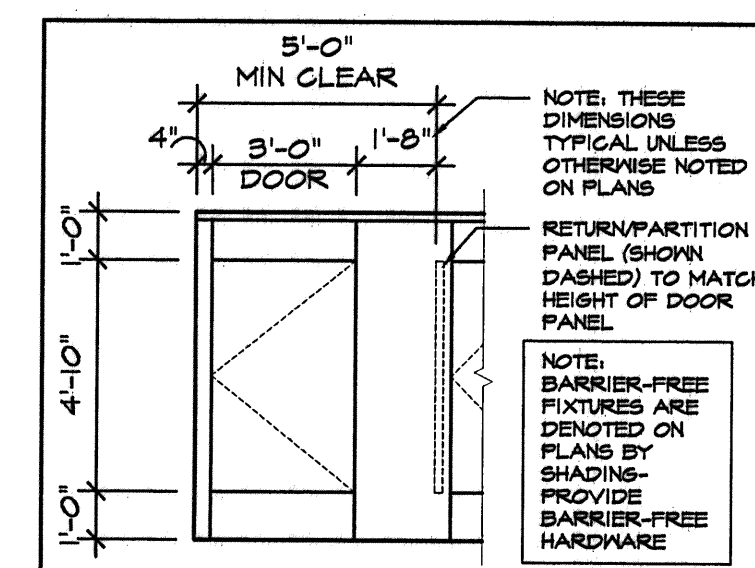
5 ADA TOILET SIDE ELEV.  
1/4"=1'-0"



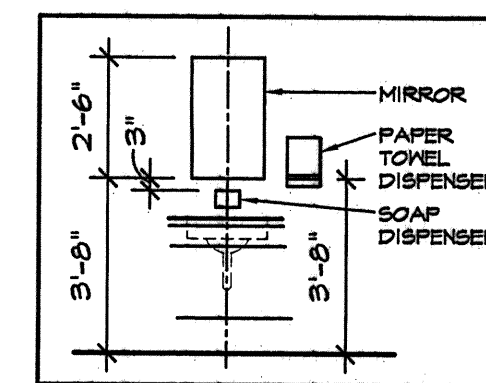
4 ADA TOILET PLAN  
1/4"=1'-0"



8 TYPICAL STANDARD PUBLIC TOILET PARTITION PARTIAL FRONT ELEVATION  
1/4"=1'-0"



7 TYPICAL STANDARD BARRIER FREE TOILET PARTITION FRONT ELEVATION  
1/4"=1'-0"



9 BARRIER FREE LAVATORY ASSEMBLY - FRONT ELEVATION  
1/4"=1'-0"

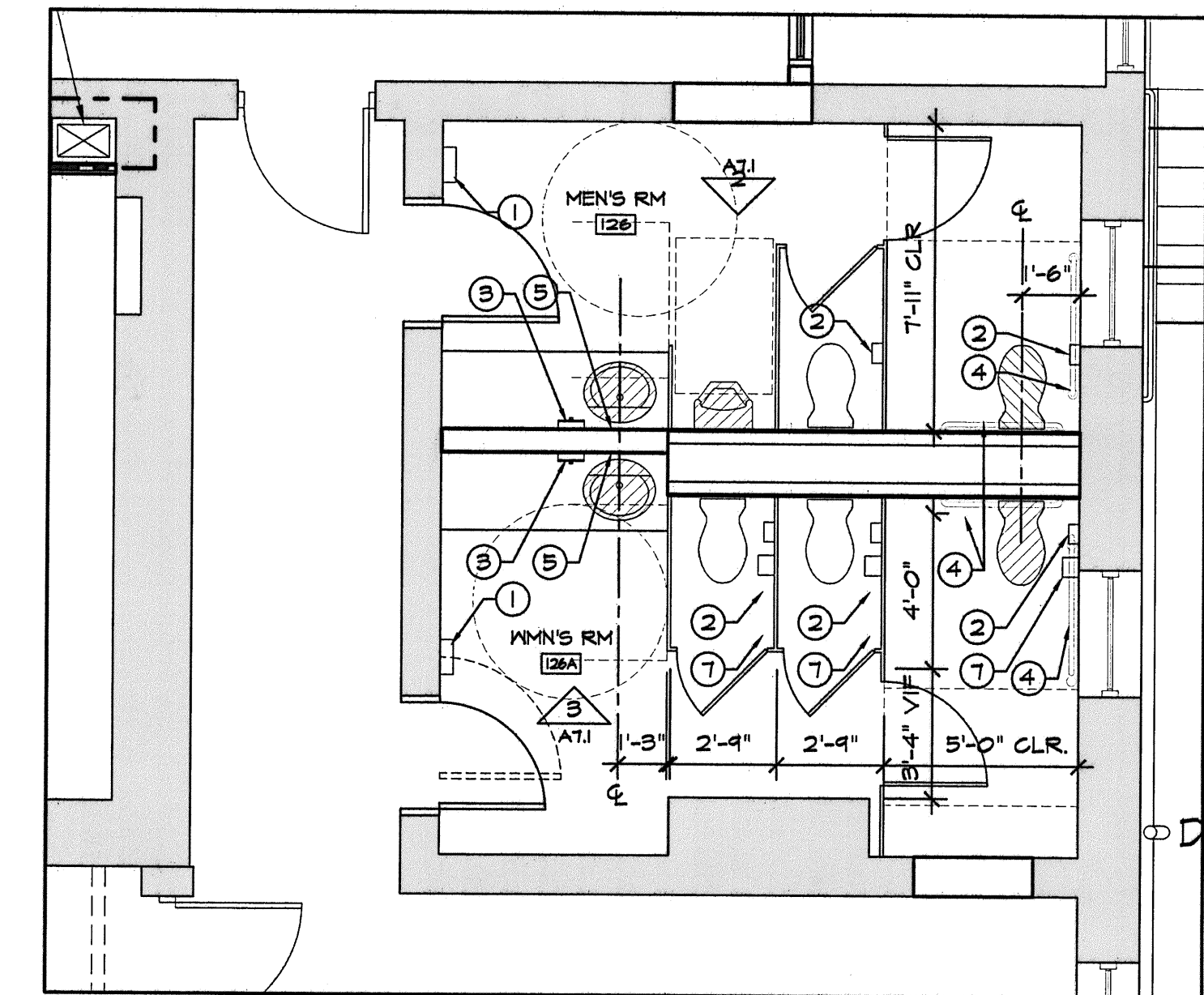
PLAN GRAPHICS KEY:		LEGEND:	
1	PAPER TOWEL DISPENSER	1	PAPER TOWEL DISPENSER
2	TOILET PAPER DISPENSER	2	TOILET PAPER DISPENSER
3	SOAP DISPENSER	3	SOAP DISPENSER
4	GRAB BARS	4	GRAB BARS
5	MIRROR UNIT	5	MIRROR UNIT
6	MOP & BROOM HOLDER	6	MOP & BROOM HOLDER
7	SANITARY NAPKIN RECEPTACLE	7	SANITARY NAPKIN RECEPTACLE
NOTE:		NOTE:	

**TOILET ROOM GENERAL NOTES:**

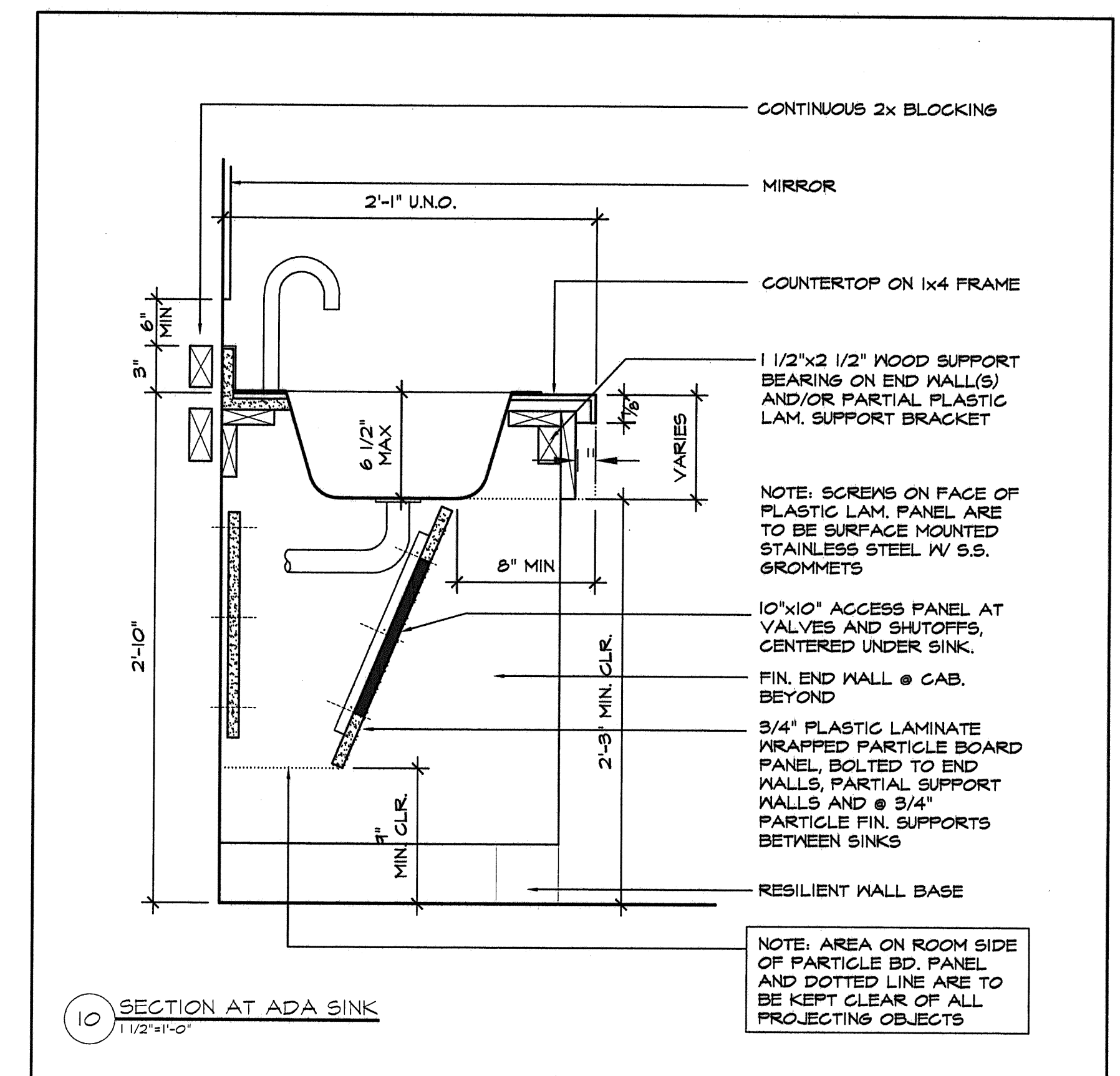
1. PROVIDE GRAB BARS AS INDICATED IN PLAN.
2. ALL URINALS TO BE SET W RIM @ 17" AFF

**ROOM FINISH NOTES:**

1. PROVIDE NEW BAKED ENAMEL TOILET PARTITIONS, TOILET ACCESSORIES INCLUDING SOAP DISPENSERS & PAPER TOWEL DISPENSERS.
2. FLOOR FINISH TO BE CERAMIC TILE W/ INTEGRAL COVE AND WAINSCOT TO 6'-8" AFF.
3. SEE SPECIFICATION FOR MIRRORS.



1 ENLARGED BATHROOM CORE  
1/4"=1'-0"



10 SECTION AT ADA SINK  
1 1/2"=1'-0"