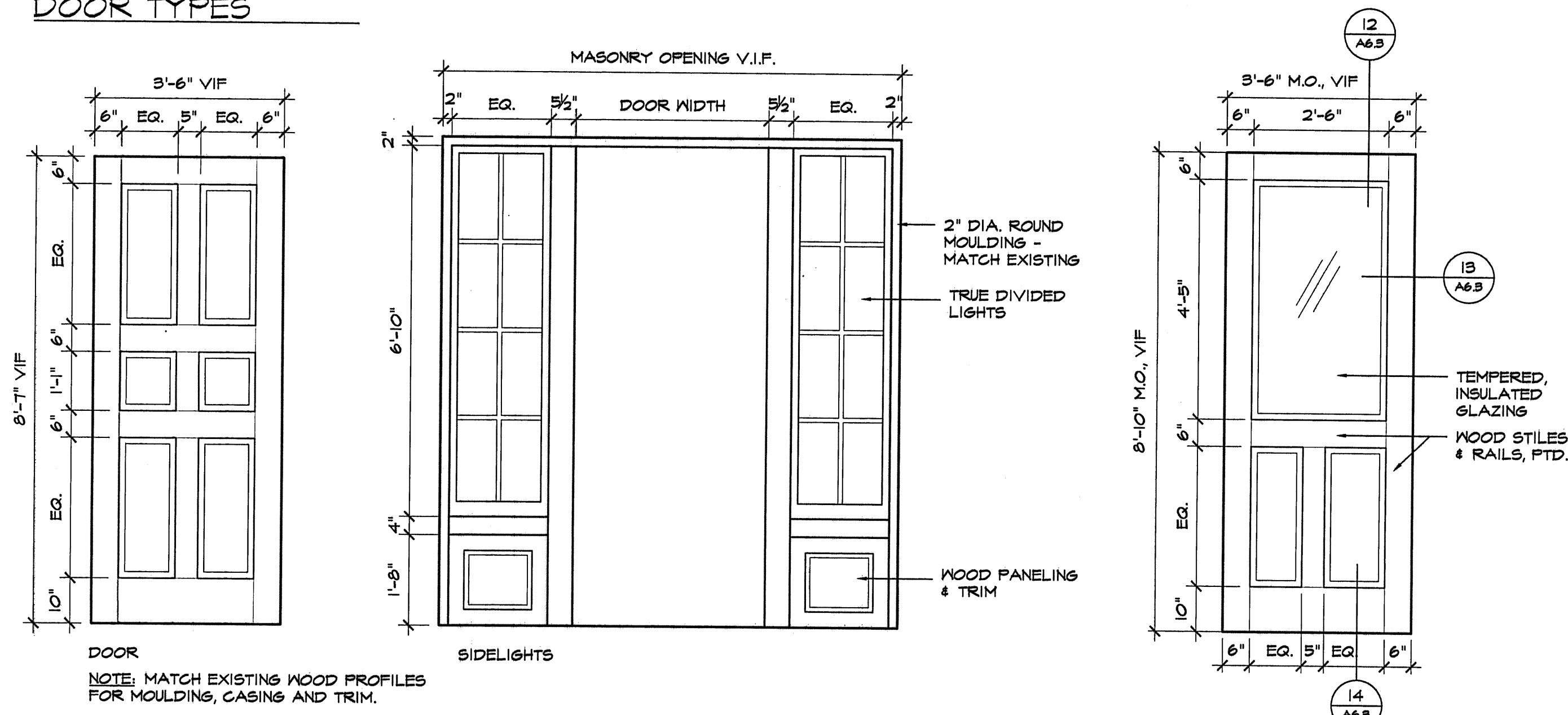


DOOR TYPES

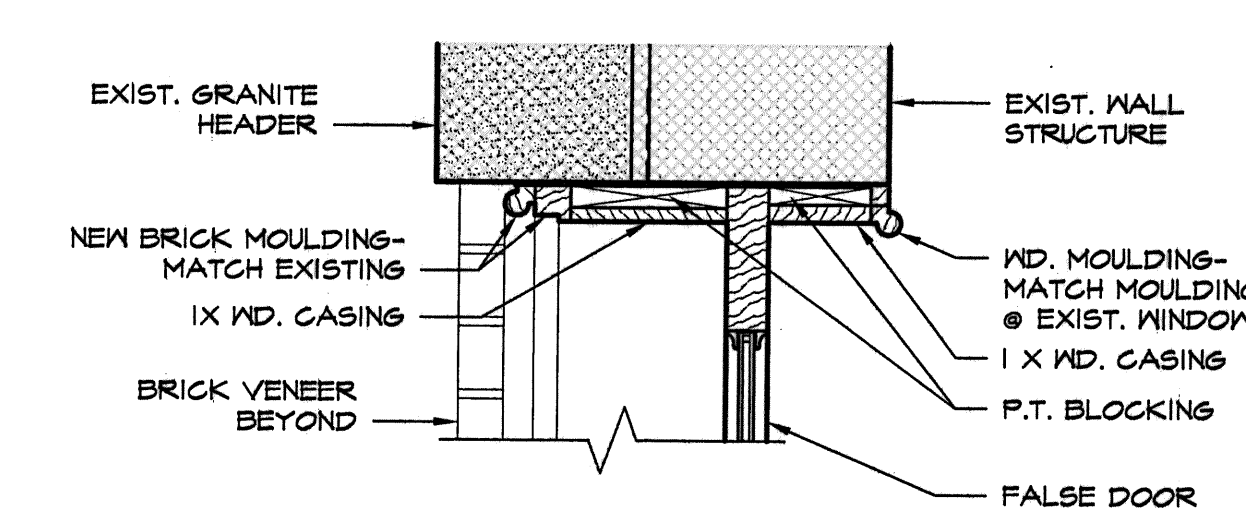


10 PROPOSED WEST ENTRY DOOR - EAST & WEST ELEVATIONS  
A6.3 1/2" = 1'-0"

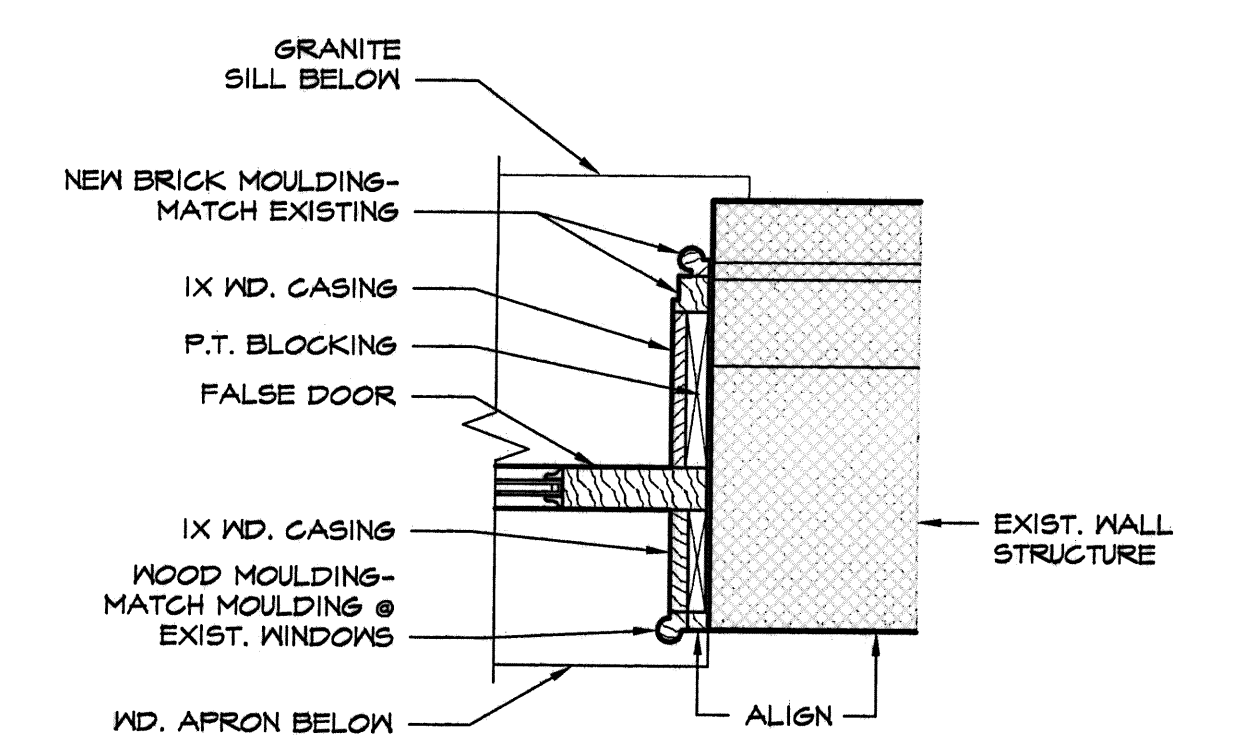
11 PROPOSED FALSE DOOR  
A6.3 1/2" = 1'-0"

FALSE DOOR DETAILS

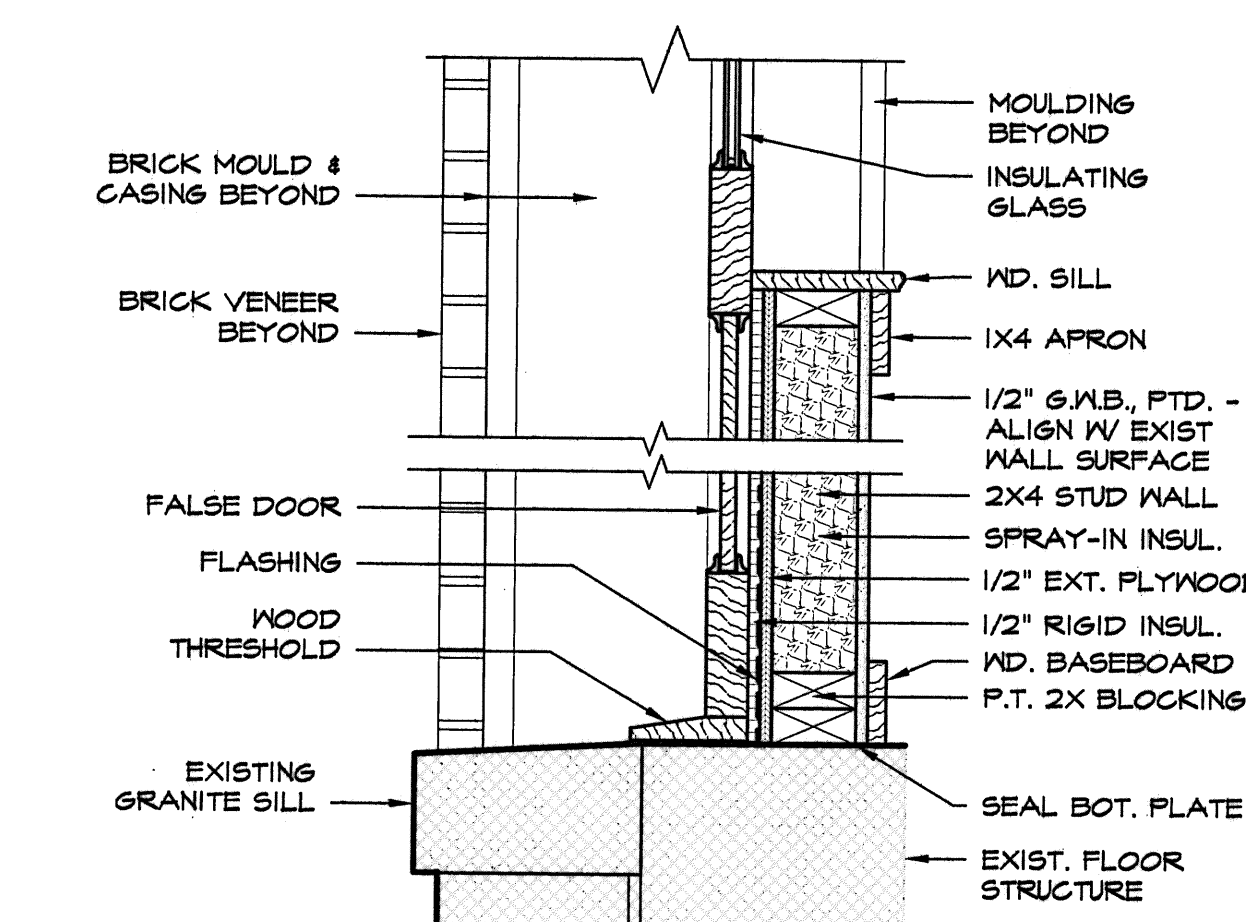
NOTE: MATCH EXISTING PROFILES FOR MOULDING, CASING AND TRIM.



12 HEAD  
A6.3 1/2" = 1'-0"

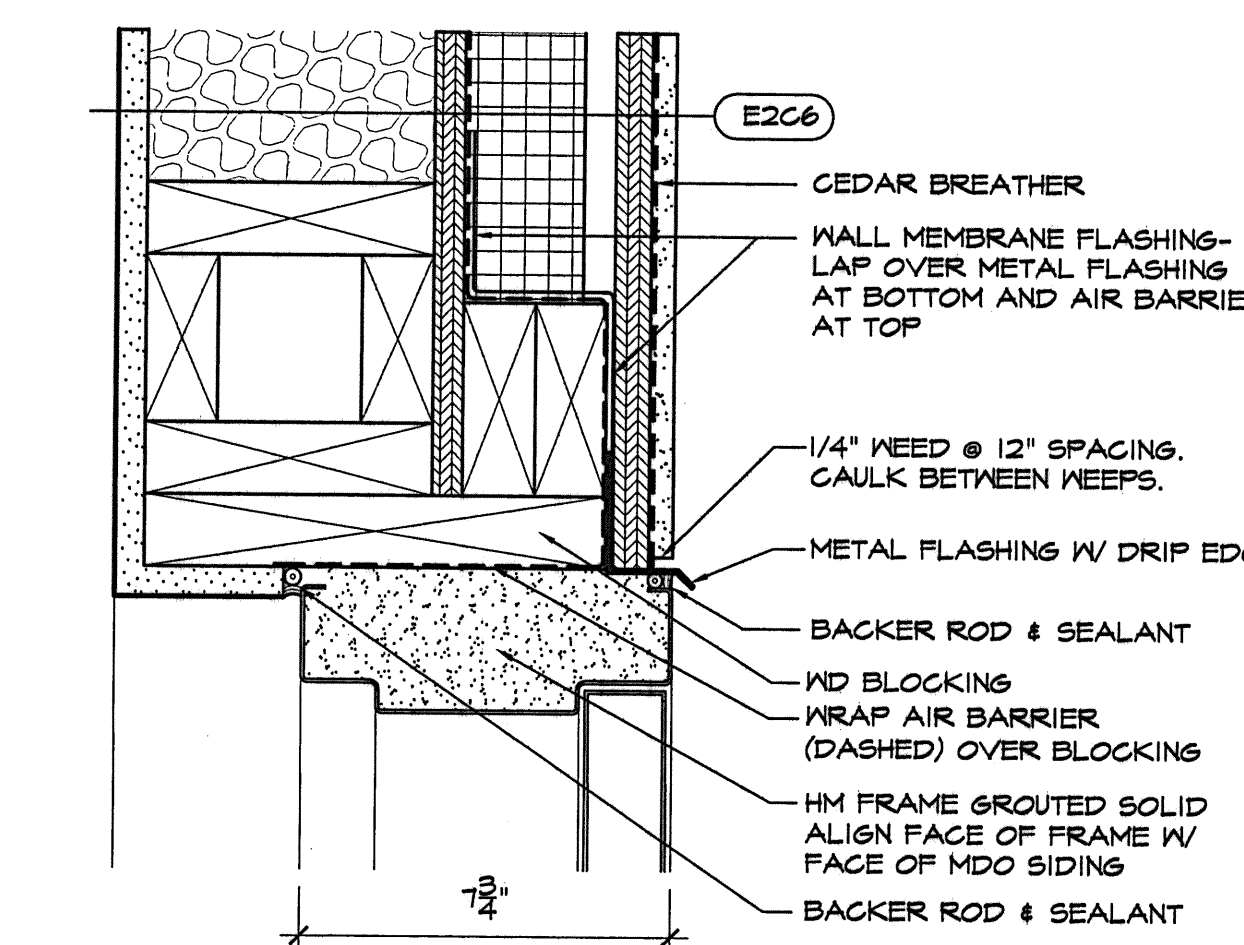


13 JAMB  
A6.3 1/2" = 1'-0"

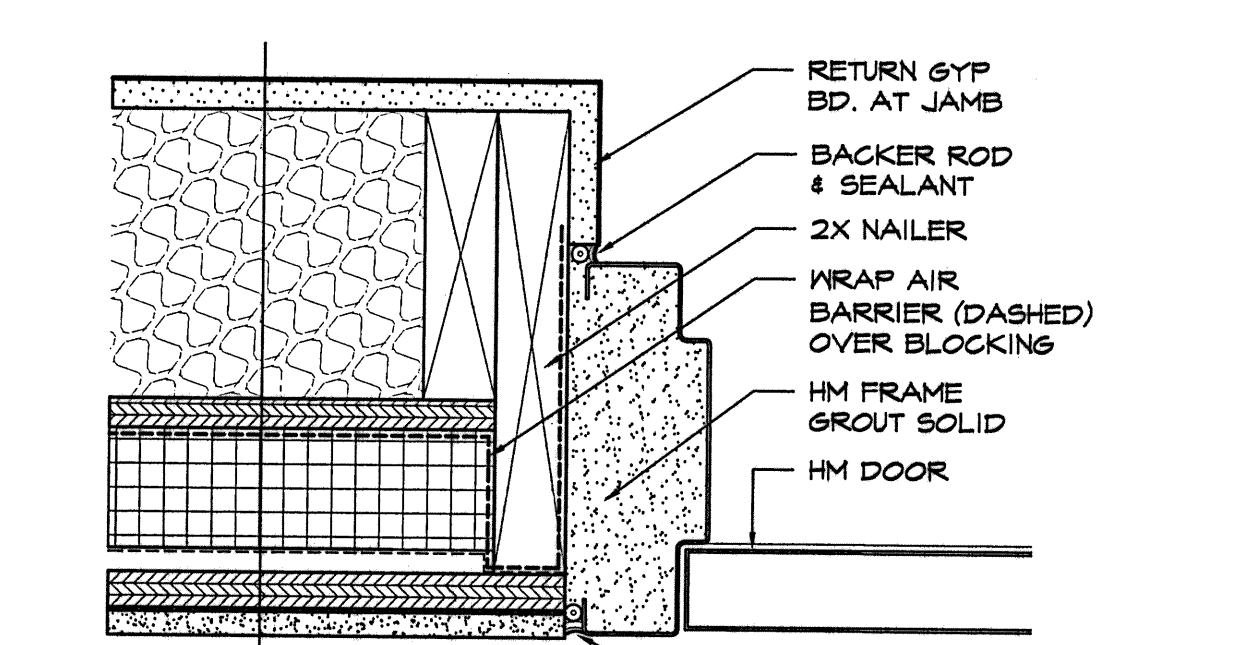


14 SILL & SHELF  
A6.3 1/2" = 1'-0"

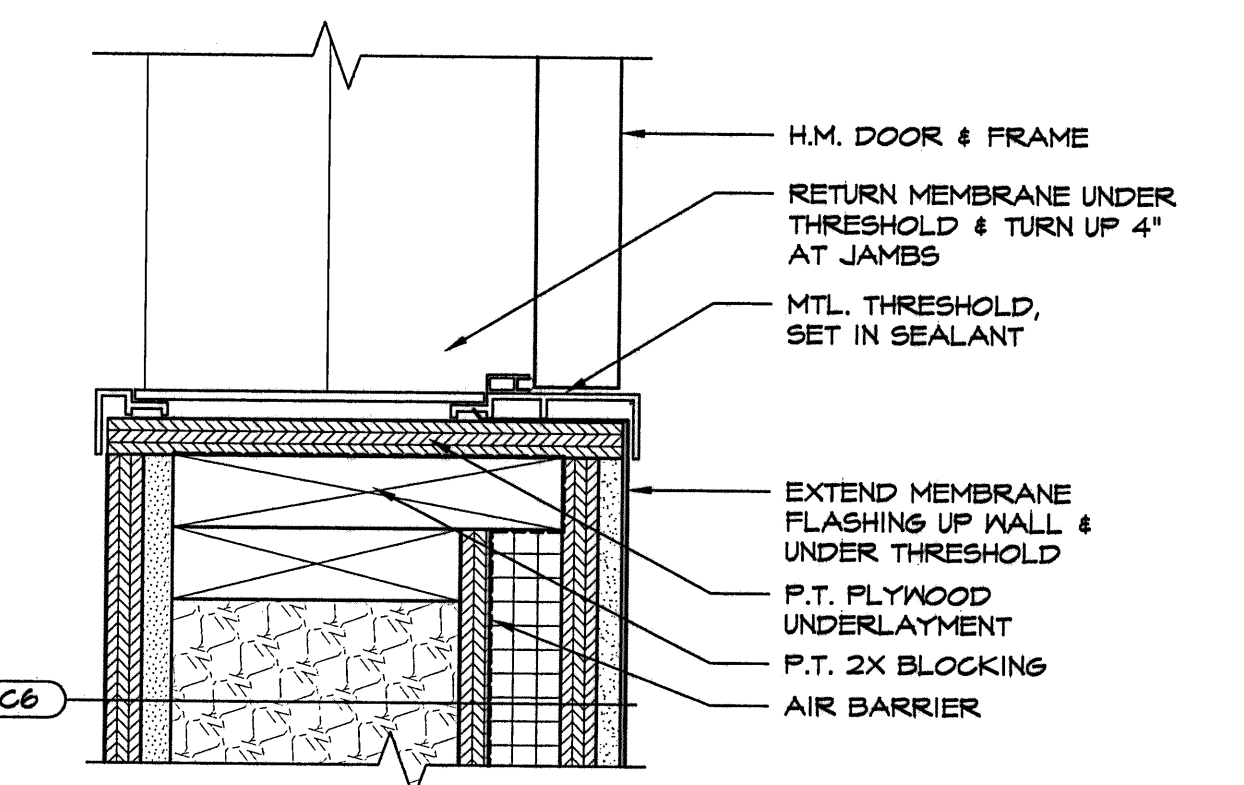
DOOR DETAILS



7 DOOR HEAD DETAIL  
A6.3 3/4" = 1'-0"



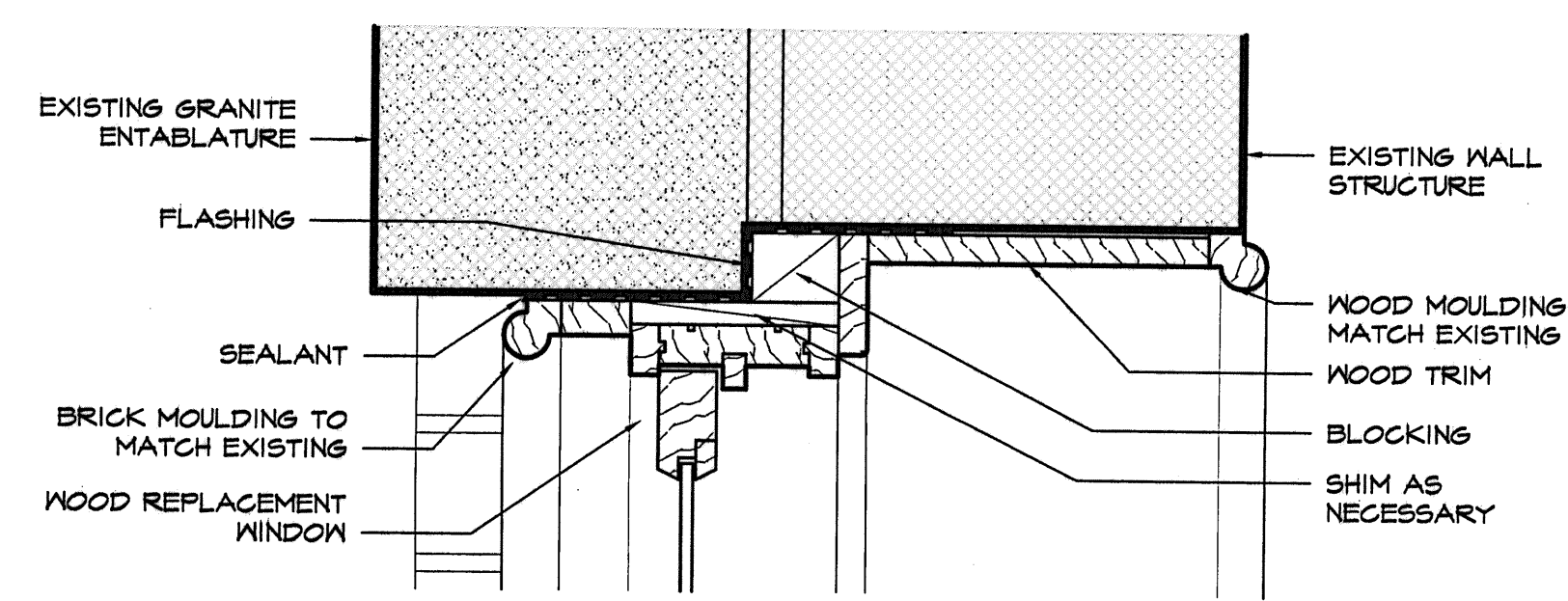
8 DOOR JAMB DETAIL  
A6.3 3/4" = 1'-0"



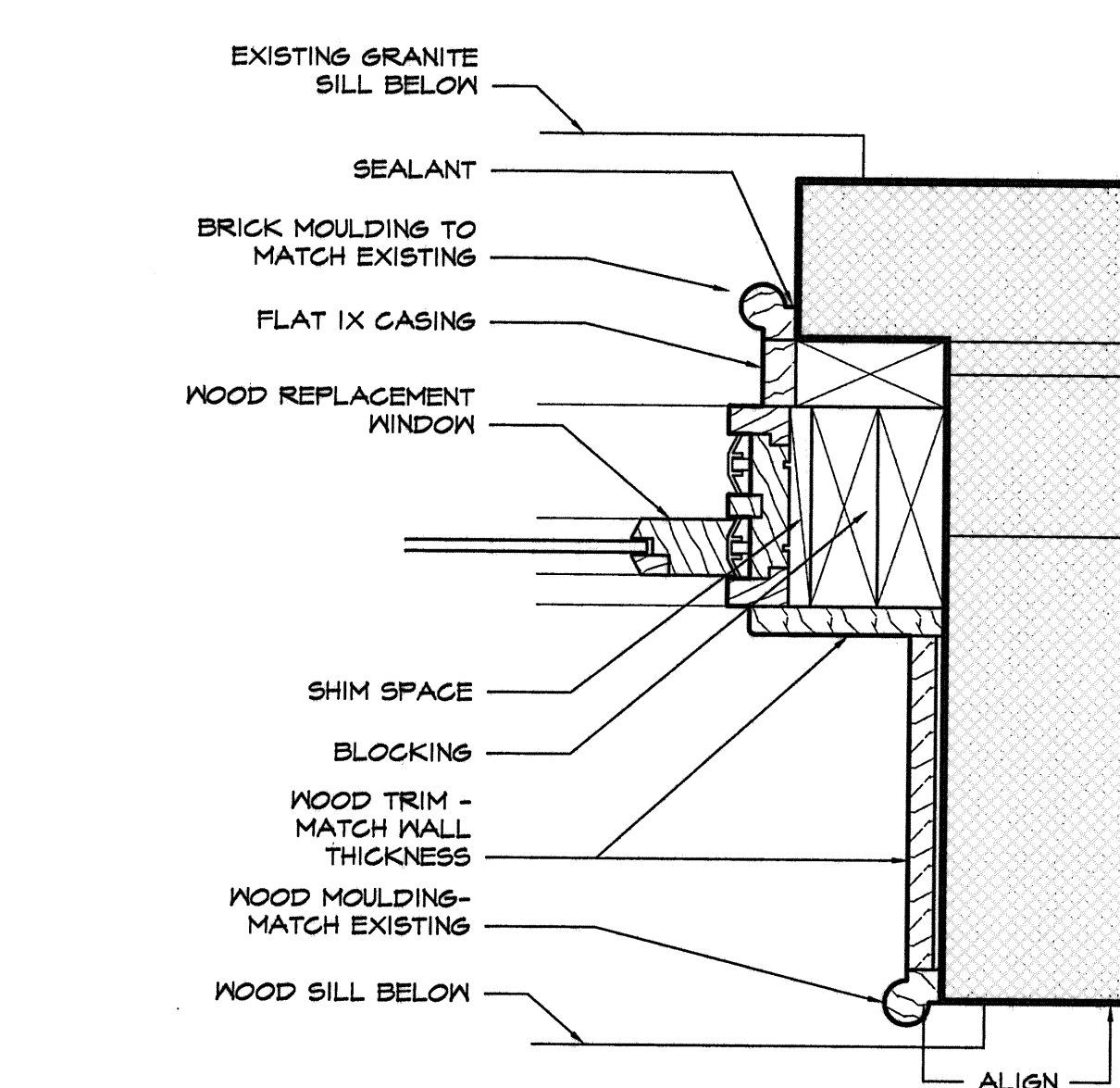
9 DOOR THRESHOLD DETAIL  
A6.3 3/4" = 1'-0"

WOOD REPLACEMENT WINDOW DETAILS

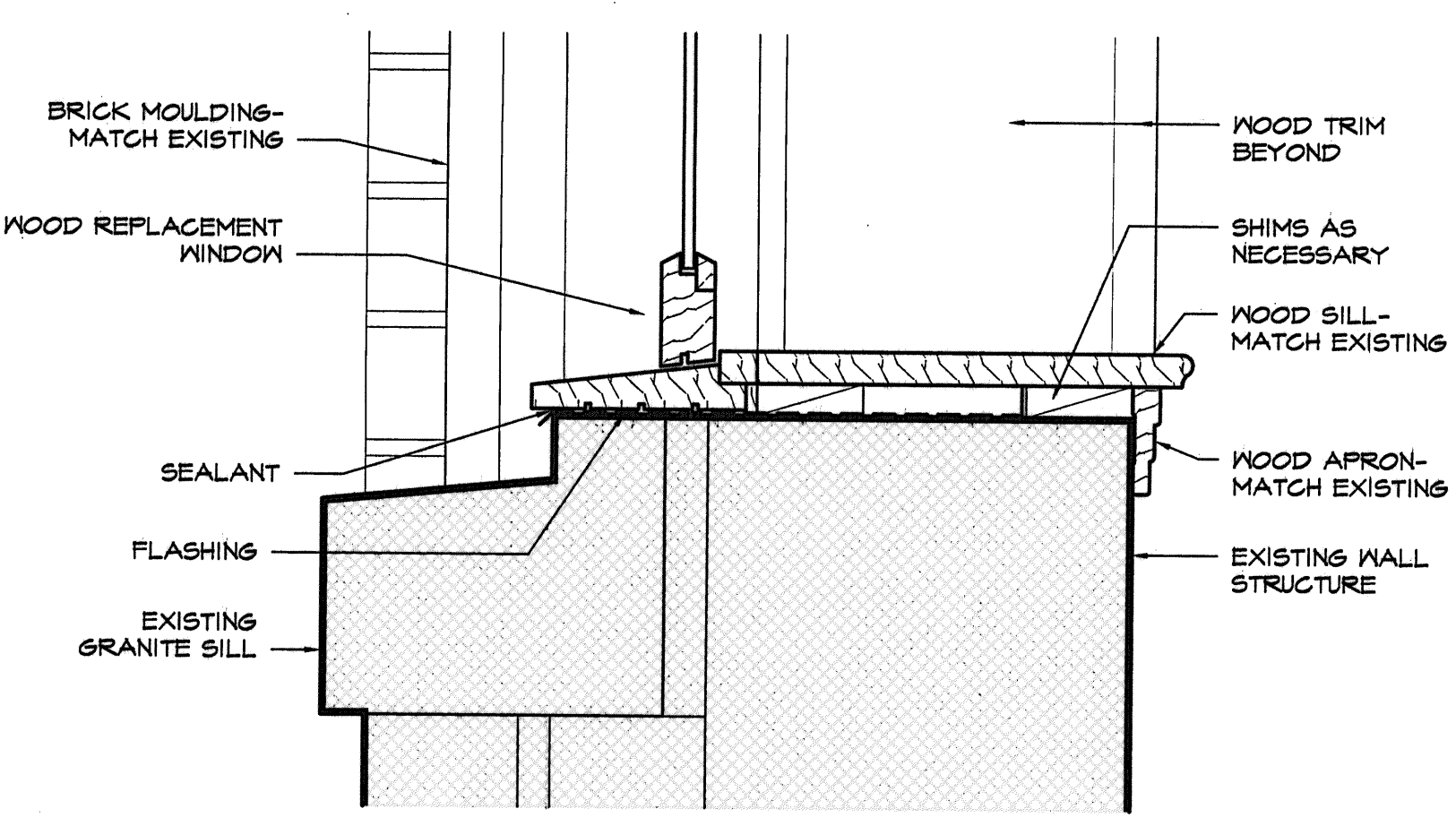
- REPLACEMENT WINDOW NOTES:
1. DOCUMENT EXISTING CONDITIONS AND PROFILES OF WOOD MOULDINGS, CASING AND TRIM BEFORE PROCEEDING WITH WORK.
  2. MATCH EXISTING PROFILES FOR MOULDINGS, CASING AND TRIM.
  3. PRESERVE EXISTING FINISHES.



4 REPLACEMENT WINDOW HEAD DETAIL  
A6.3 3/4" = 1'-0"

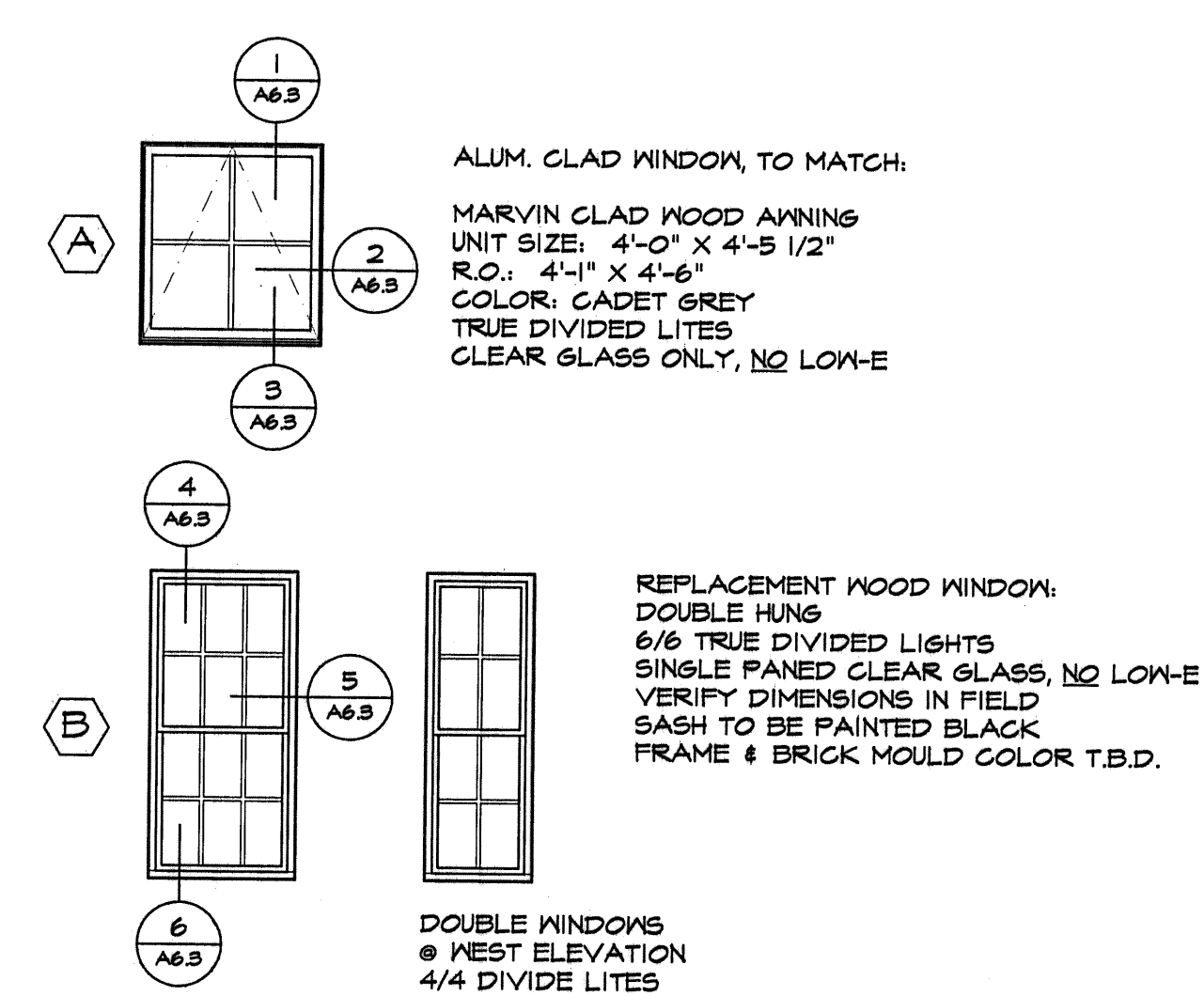


5 REPLACEMENT WINDOW JAMB DETAIL  
A6.3 3/4" = 1'-0"



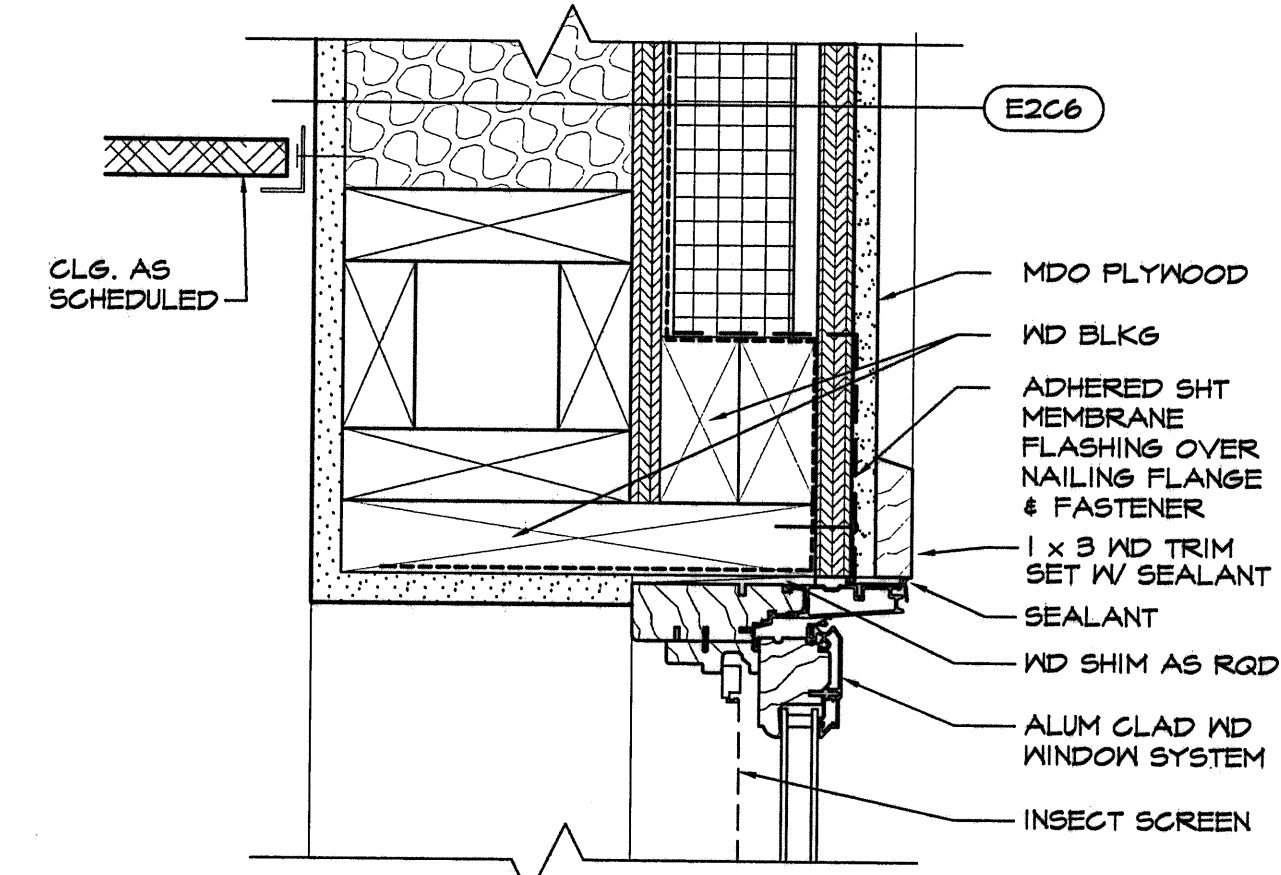
6 REPLACEMENT WINDOW SILL DETAIL  
A6.3 3/4" = 1'-0"

WINDOW TYPES

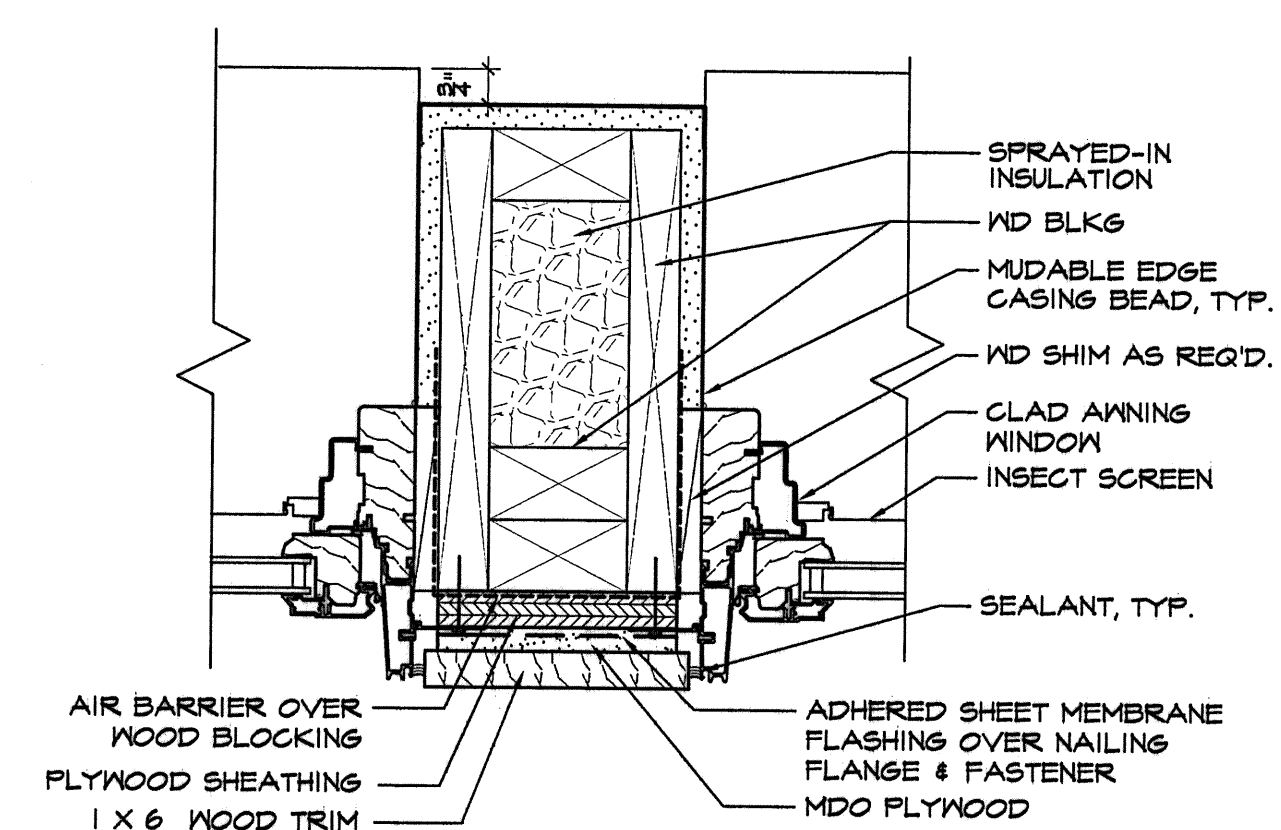


DOUBLE WINDOWS @ WEST ELEVATION  
4/4 DIVIDE LITES

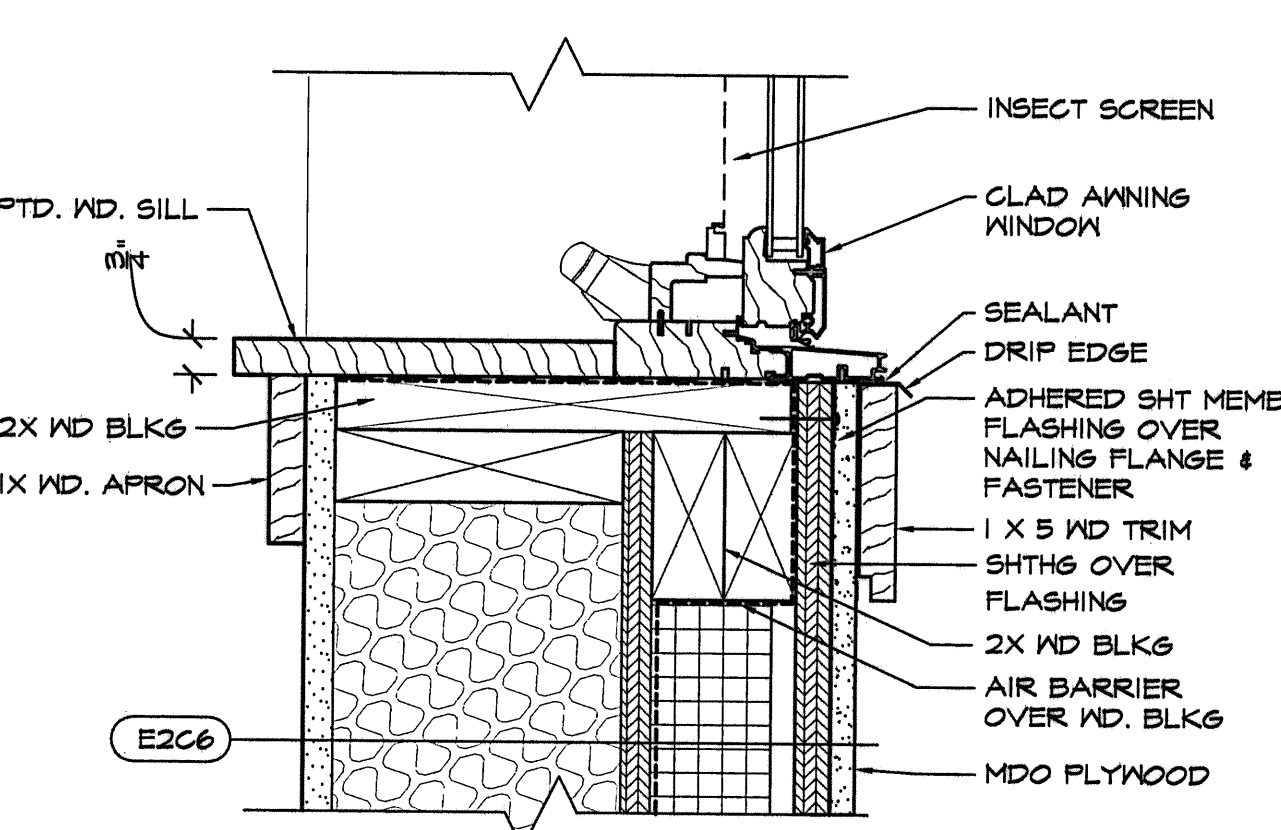
WINDOW DETAILS



1 WINDOW HEAD DETAIL  
A6.3 3/4" = 1'-0"



2 WINDOW JAMB DETAIL  
A6.3 3/4" = 1'-0"



3 WINDOW SILL DETAIL  
A6.3 3/4" = 1'-0"

ARCHITECTURE  
 INTERIOR DESIGN  
 PLANNING  
**P D T** ARCHITECTS  
 49 PARKMOUTH STREET  
 PORTLAND, ME 04106  
 207.775.1699  
 207.775.2664 FAX

COPYRIGHT 2006  
 PDT Architects  
 Reuse or reproduction of the  
 contents of this document is not  
 permitted without written  
 permission of PDT Architects.

**Marine Hospital Renovation**  
 MARTIN'S POINT-PORTLAND, MAINE

JOB NO.  
 05-108

DRWN. CHK  
 EJR

SCALE:  
 AS NOTED

ISSUE  
 Bid Documents  
 24 April 2006

TITLE  
 DOOR & WINDOW  
 DETAILS

SHEET  
**A6.3**

Apr. 25, 2006 - 10:23am  
 H:\Master Proj Files\2\Marine Hospital\Existing Conditions\CAD\WIF sections-details.dwg