

NOTE:

- SEE 0001 FOR PROJECT GENERAL NOTES
- SEE SHEET E-001 FOR LEGEND AND GENERAL NOTES.

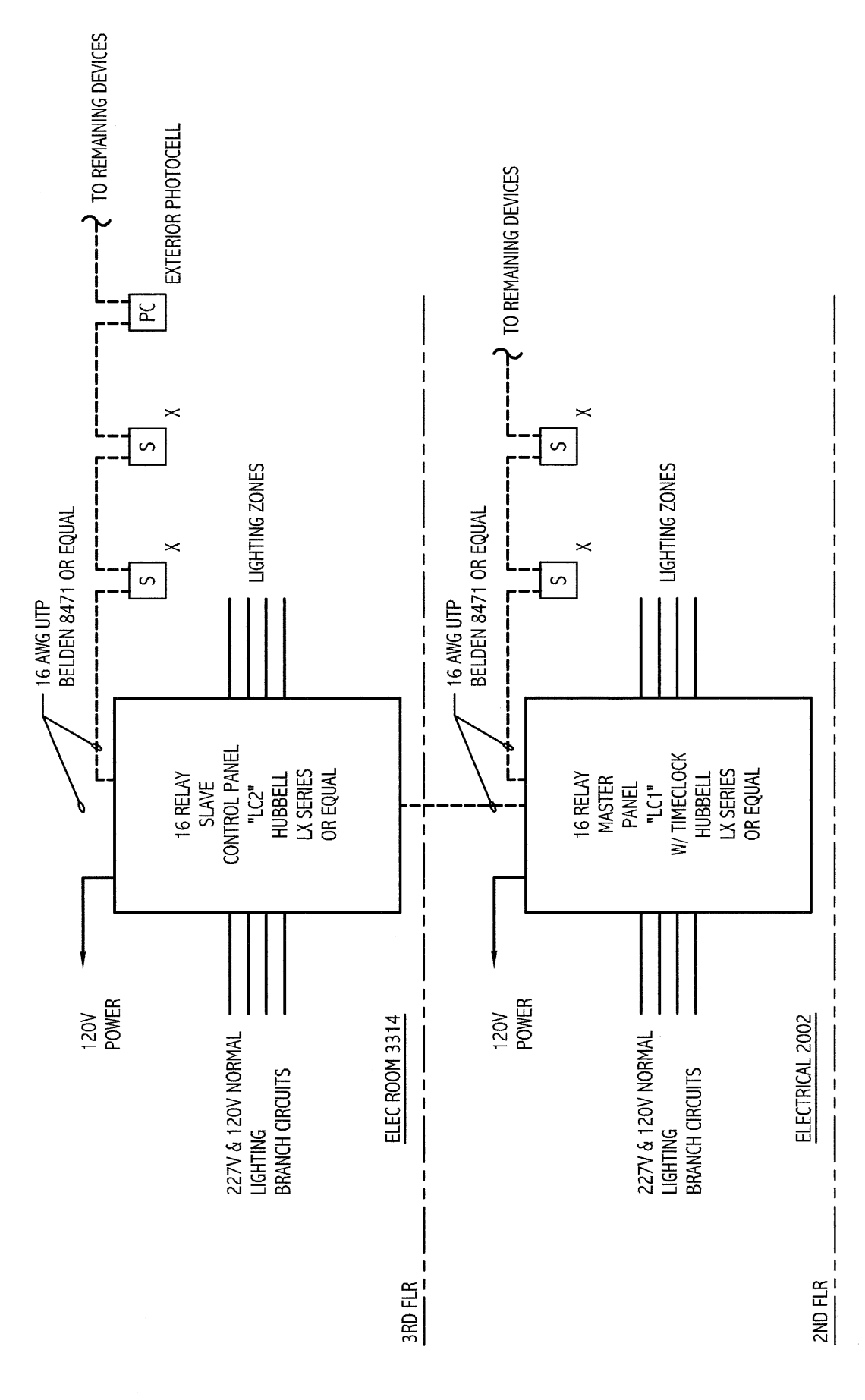
LIGHTING CONTROL PANEL LC1 - 16 RELAYS, MASTER PANEL W/ CENTRAL TIMELOCK

ZONE ID	ZONE DESCRIPTION	BRIDGE REVIEWED	TOTAL LOCATIONS	RELAY #	BRANCH CIRCUIT	NORMAL HOURS	OFF-HOURS OVERRIDE	REMOTE ENGINEER LABEL	NOTES
11	GARAGE LEVEL 1 LIGHTING	5	1	LC1-1	LG-1	(F.E.B. W/ OWNER)	1 HOUR	*GARANEE LVS. OVERRIDE	NOTE 1
12	GARAGE LEVEL 2 LIGHTING	5	1	LC1-2	LG-2	(F.E.B. W/ OWNER)	1 HOUR	*GARANEE LVS. OVERRIDE	NOTE 1
13	BUILDING EXTERIOR LIGHTING			LC1-3	LG-3	(DARK TO DAWN)	1 HOUR	*SITE LVS. OVERRIDE	NOTE 2
14	SITE LIGHTING & RECEIPT			LC1-4	PG-14	(DARK TO DAWN)	1 HOUR	*SITE LVS. OVERRIDE	NOTE 2
15	SITE LIGHTING & RECEIPT			LC1-5	PG-15	(DARK TO DAWN)	1 HOUR	*SITE LVS. OVERRIDE	NOTE 2
16	SITE LIGHTING & RECEIPT			LC1-6	PG-16	(DARK TO DAWN)	1 HOUR	*SITE LVS. OVERRIDE	NOTE 2
17	SITE LIGHTING & RECEIPT			LC1-7	PG-17	(DARK TO DAWN)	1 HOUR	*SITE LVS. OVERRIDE	NOTE 2
18	SITE LIGHTING & RECEIPT			LC1-8	PG-18	(DARK TO DAWN)	1 HOUR	*SITE LVS. OVERRIDE	NOTE 2
19	SITE LIGHTING & RECEIPT			LC1-9	PG-19	(DARK TO DAWN)	1 HOUR	*SITE LVS. OVERRIDE	NOTE 2
110	SITE LIGHTING & RECEIPT			LC1-10	PG-10	(DARK TO DAWN)	1 HOUR	*SITE LVS. OVERRIDE	NOTE 2
111	SPHRE			LC1-11					
112	SPHRE			LC1-12					
113	SPHRE			LC1-13					
114	SPHRE			LC1-14					
115	SPHRE			LC1-15					
116	SPHRE			LC1-16					

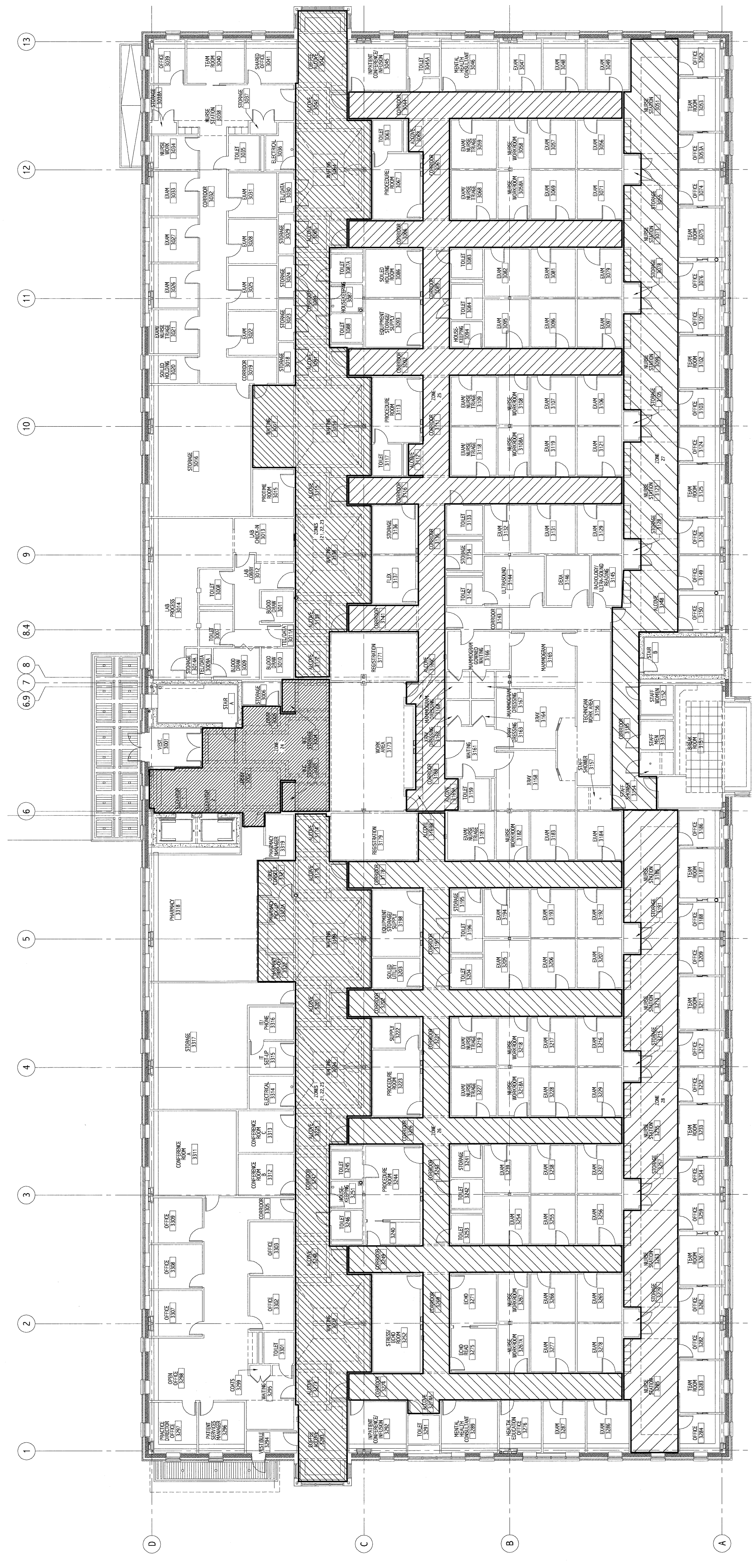
- NOTE:**
- TWO BUTTON OVERRIDE SWITCH LOCATED IN ZONE 018 ELECTRICAL ROOM 3002Z TO TURN ON ALL GARAGE LIGHT ZONES FOR 1 HOUR THEN RETURN TO THE PROGRAMMED SCHEDULE FOR MAINTENANCE.
 - TWO BUTTON OVERRIDE SWITCH LOCATED IN ZONE 018 ELECTRICAL ROOM 3002Z TO TURN ON ALL SITE AND EXTERIOR LIGHT ZONES FOR 1 HOUR THEN RETURN TO THE PROGRAMMED SCHEDULE FOR MAINTENANCE.

LIGHTING CONTROL PANEL LC2 - 16 RELAYS, SAME PANEL

ZONE ID	ZONE DESCRIPTION	BRIDGE REVIEWED	TOTAL LOCATIONS	RELAY #	BRANCH CIRCUIT	NORMAL HOURS	OFF-HOURS OVERRIDE	REMOTE ENGINEER LABEL	NOTES
21	WAITING AREA INDIRECT	5	4	LC2-1	UP7-7	(F.E.B. W/ OWNER)	4 HOURS	*LIGHTS ON/OFF	
22	WAITING AREA WALL			LC2-2	UP7-8	(F.E.B. W/ OWNER)	4 HOURS	*LIGHTS ON/OFF	
23	MAIN CORRIDOR			LC2-3	UP7-9	(F.E.B. W/ OWNER)	4 HOURS	*LIGHTS ON/OFF	
24	LIBRARY			LC2-4	UP7-11	(F.E.B. W/ OWNER)	4 HOURS	*LIGHTS ON/OFF	
25	EXAM CORRIDORS EAST			LC2-5	UP7-8	(F.E.B. W/ OWNER)	4 HOURS	*LIGHTS ON/OFF	
26	EXAM CORRIDORS WEST			LC2-6	UP7-10	(F.E.B. W/ OWNER)	4 HOURS	*LIGHTS ON/OFF	
27	NURSE CORRIDORS EAST			LC2-7	UP7-12	(F.E.B. W/ OWNER)	4 HOURS	*LIGHTS ON/OFF	
28	NURSE CORRIDORS WEST			LC2-8	UP7-14	(F.E.B. W/ OWNER)	4 HOURS	*LIGHTS ON/OFF	
29	SPHRE			LC2-9					
210	SPHRE			LC2-10					
211	SPHRE			LC2-11					
212	SPHRE			LC2-12					
213	SPHRE			LC2-13					
214	SPHRE			LC2-14					
215	SPHRE			LC2-15					
216	SPHRE			LC2-16					



H1 NETWORKED LIGHTING CONTROL PANEL SCHEMATIC RISER DIAGRAM



A1 THIRD LEVEL ZONE KEY PLAN

1/8" = 1'-0"

14155 Champlain Ave. Suite 100
Portland, Maine 04106
Tel: (207) 775-3846
Fax: (207) 775-0770
www.smrti.com

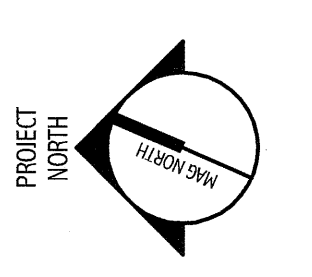


MARTIN'S POINT HEALTH CARE
MEDICAL OFFICE BUILDING
PORTLAND, MAINE

ISSUED FOR G.M.P. & PERMITTING
4-3-09

PROJECT MANAGER: TOVICIOS
JOB CAP/DRAWN: TOVICIOS
DATE OF RECORD: EL651-08-139
PROJECT NO.: 08-139

PROJECT MANAGER: TOVICIOS
JOB CAP/DRAWN: TOVICIOS
DATE OF RECORD: EL651-08-139
PROJECT NO.: 08-139



EL651

PROGRESS PRINT