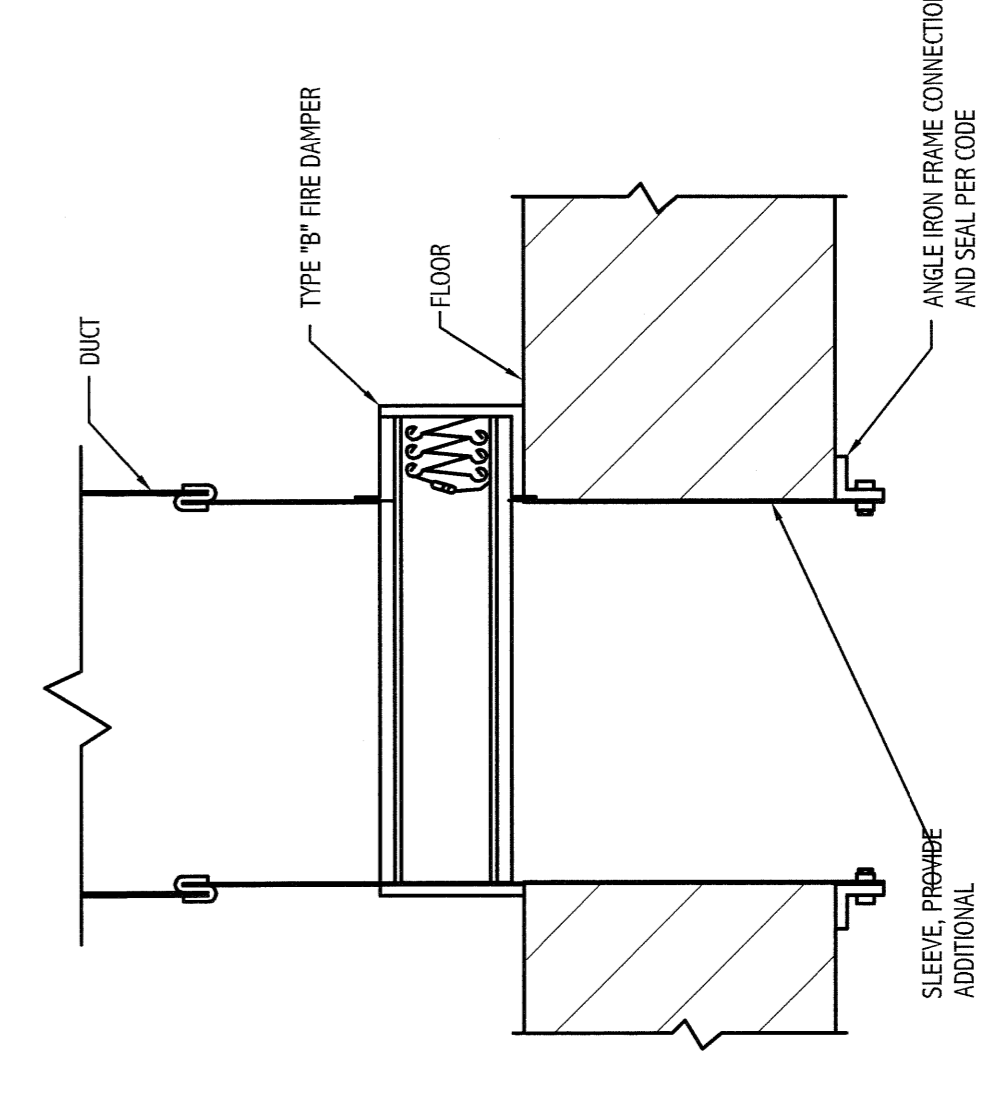


NOTE:

1. SEE G001 FOR PROJECT GENERAL NOTES
2. SEE SHEET M-502 FOR LEGEND AND ABBREVIATIONS

- REQUIREMENTS:**
1. IF FIRE DAMPER IS IN CLOSE PROXIMITY TO A HEATING COIL, CONSIDER A FUSIBLE LINK MATED AT 212°F.
 2. FOR LARGE DAMPERS LOCUS INSEAR THE ACCESS DOOR SIZE OF ADD ADDITIONAL DOORS.
 3. THIS IS A TYPE 'B' DAMPER - UNDER NORMAL CONDITIONS THE DAMPER WILL BE OPEN. TYPE 'A' DAMPERS PRESENT RESTRICTION TO THE AIRFLOW.
 4. TYPE 'C' DAMPERS ARE FOR ROUND AND DUCT ONLY LOCUS AND ARE SIMILAR TO TYPE 'B' DAMPERS (OUT OF THE ARCHITECTURAL) 1-1/2x1-1/2x14 GA.
- NOTES:**
1. FRAME OPENING 1/8" PRELIMINAL FOOT LARGER THAN DAMPER DIMENSIONS WITH 1/4" MIN REQD.
 2. SLEEVE GAUGE > GAUGE OF DUCT WHERE DUCT CONSTRUCTION AND JOINTS PER IBC 903.5.1 DUCT 20 GA. MIN.
 3. DAMPER CONSTRUCTED AND TESTED PER ILL 555.14 LABELLED 1-1/2 HOUR FIRE RATING WITH FUSIBLE LINK.
 4. SEAL BETWEEN WALL AND SLEEVE UNAPPROVED FIRE STOP MATERIAL.
 5. DUCT DETECTOR BY DIV #6 (SMOKE DAMPERS ONLY).



A13 FIRE DAMPER DETAIL

NOT TO SCALE

144 West Street 03. Box 03
Portland, Maine 04104
Tel: (207) 775-3846
Fax: (207) 775-0100
www.smiri.com

SMIRI
ARCHITECTURE
ENGINEERING
PLANNING
INTERIOR DESIGN
CONSULTING

MARTIN'S POINT HEALTH CARE
MEDICAL OFFICE BUILDING
PORTLAND, MAINE

MECHANICAL
DETAILS

SHEET TITLE	ISSUED FOR G.M.P. & PERMITTING 4-3-09
SCALE	AS NOTED
PROJECT MANAGER	SLB
JOB SUPERVISOR	TOD/OL
DATE OF RECORD	TAC
SHEET NO.	M-502-08139
PROJECT NO.	08139

PROGRESS PRINT