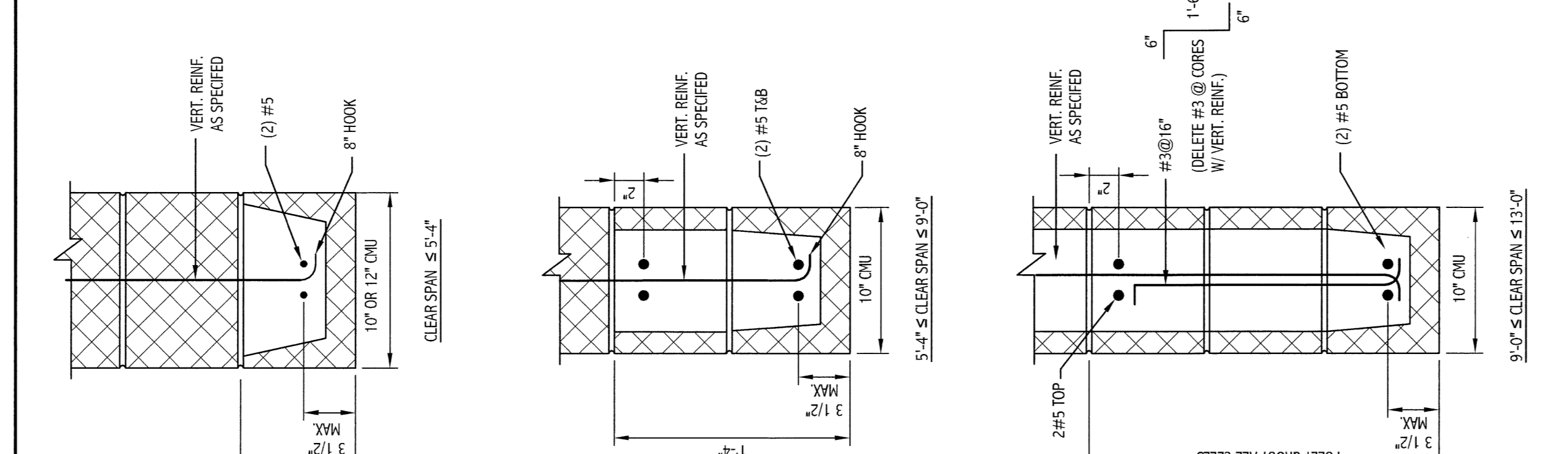


**NOTES:**  
1. SEE SHEET FOR PROJECT GENERAL NOTES.

WHERE LAP SPLICE LENGTHS FROM VERTICAL REINFORCING STEEL CENTERED IN CONCRETE MASONRY WALL ARE NOT SPECIFIED, PROVIDE SPLICE LENGTHS IN ACCORDANCE WITH THE FOLLOWING TABLE:

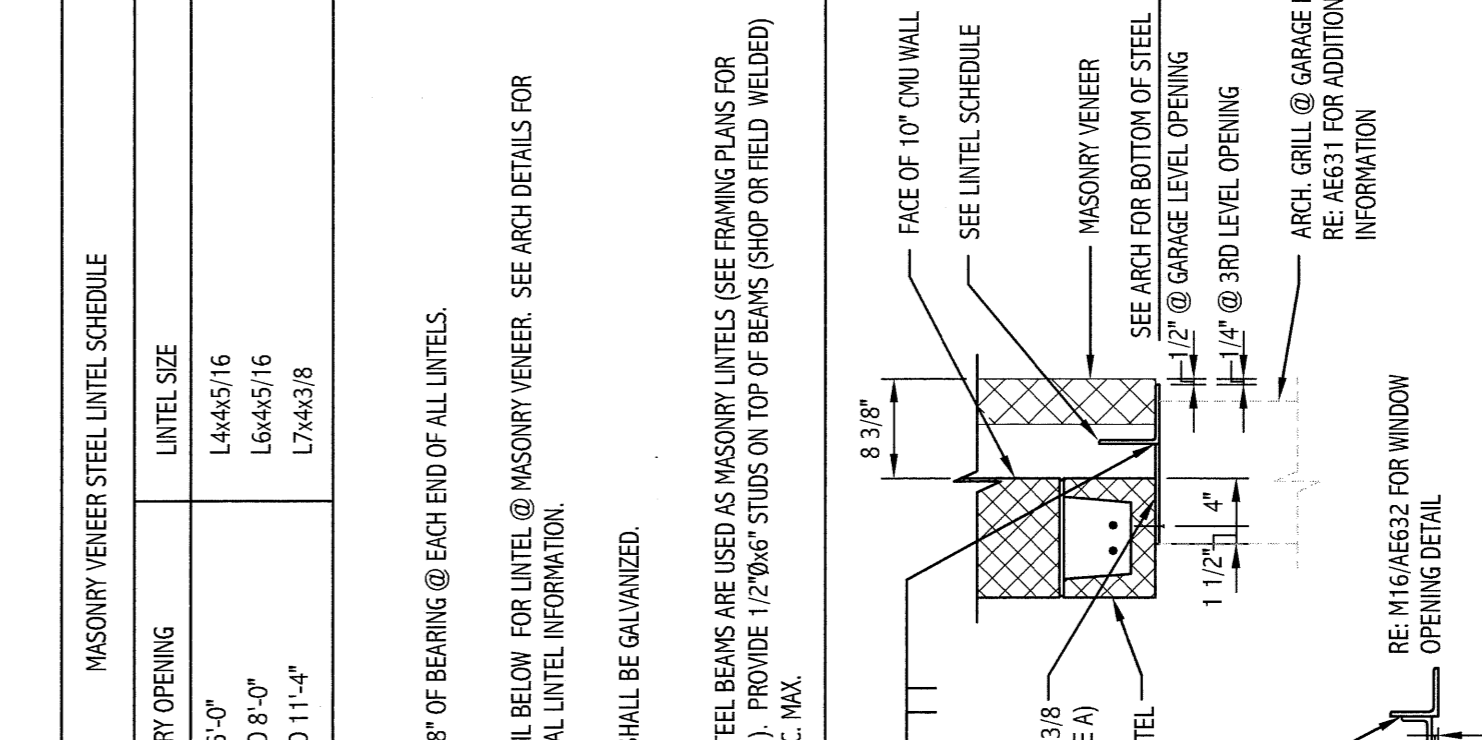
BAR SIZE	SPLICE LENGTH
#3	16"
#4	22"
#5	28"
#6	36"
#8	44"
#9	52"

**R18 REINFORCED MASONRY SPLICE TABLE**



**A18 TYPICAL MASONRY LINTEL DETAILS**

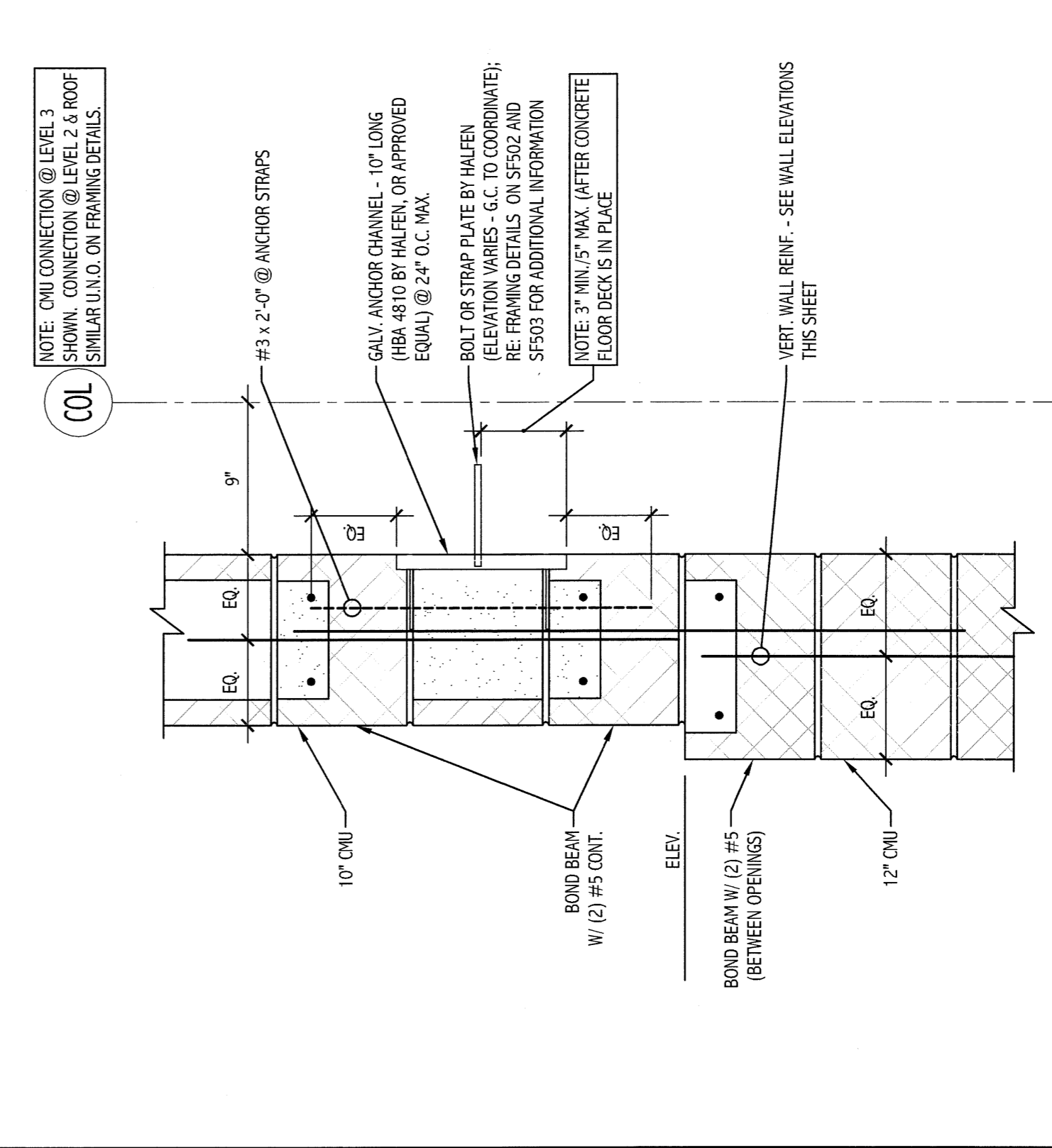
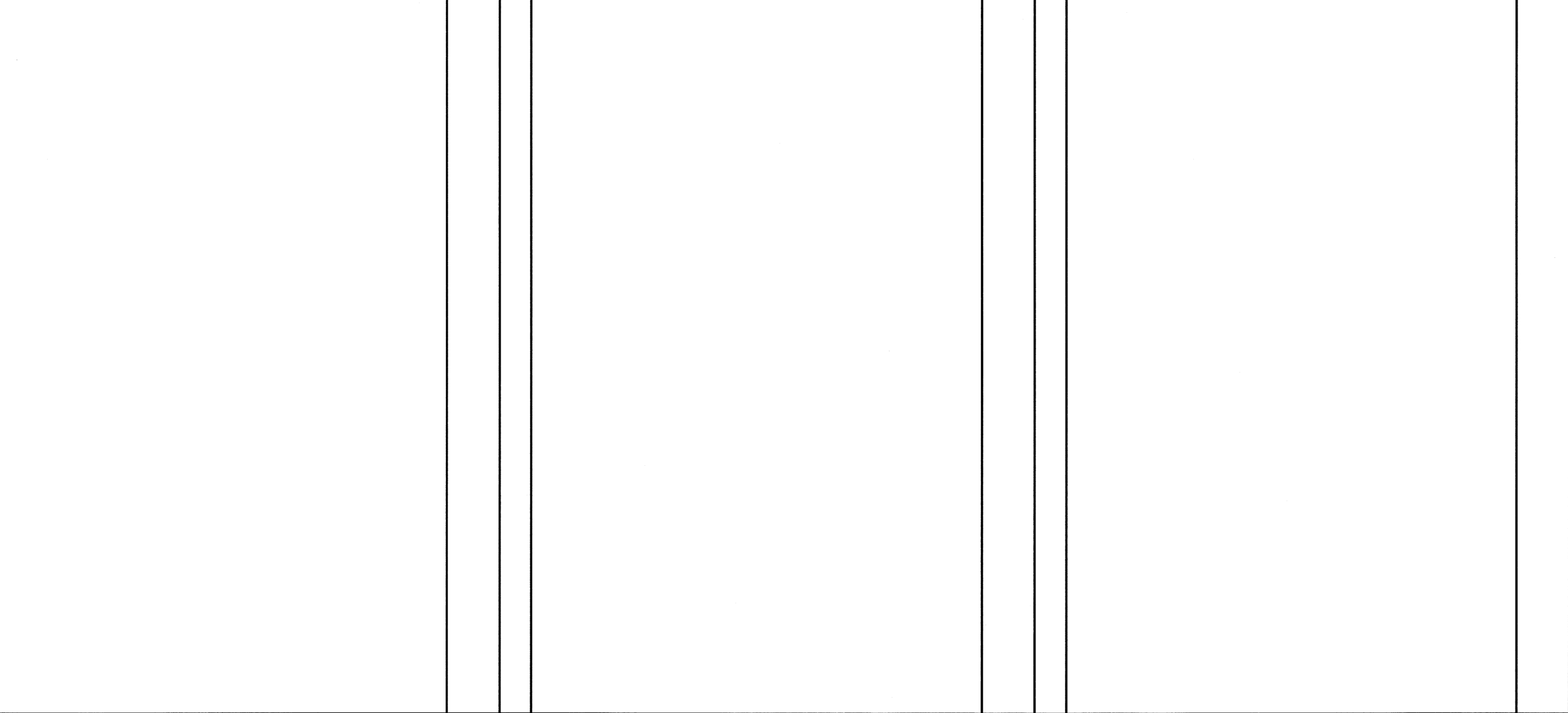
1 1/2\"/>



**A18 TYPICAL LINTEL DETAIL @ MASONRY VENEER**

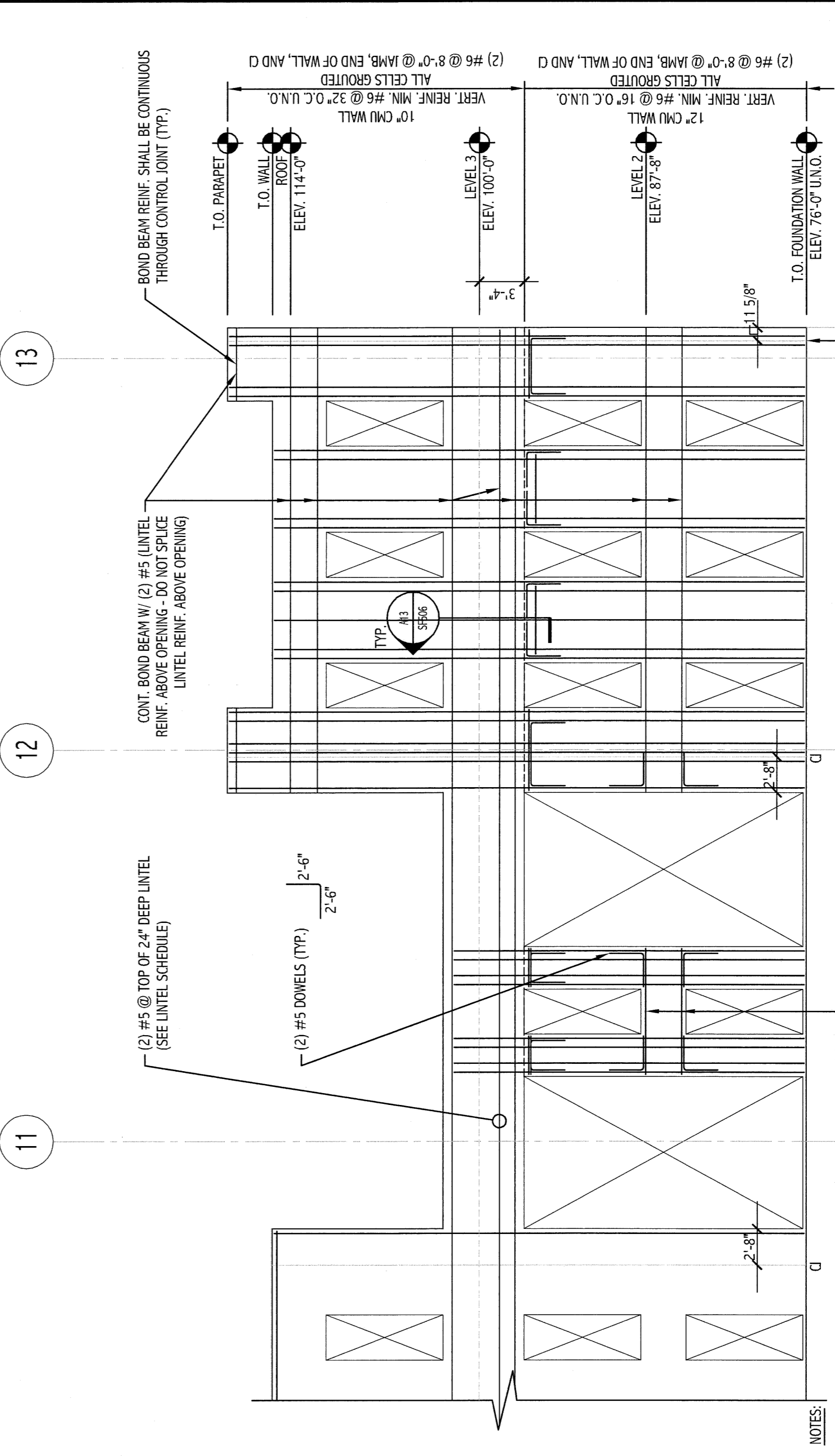
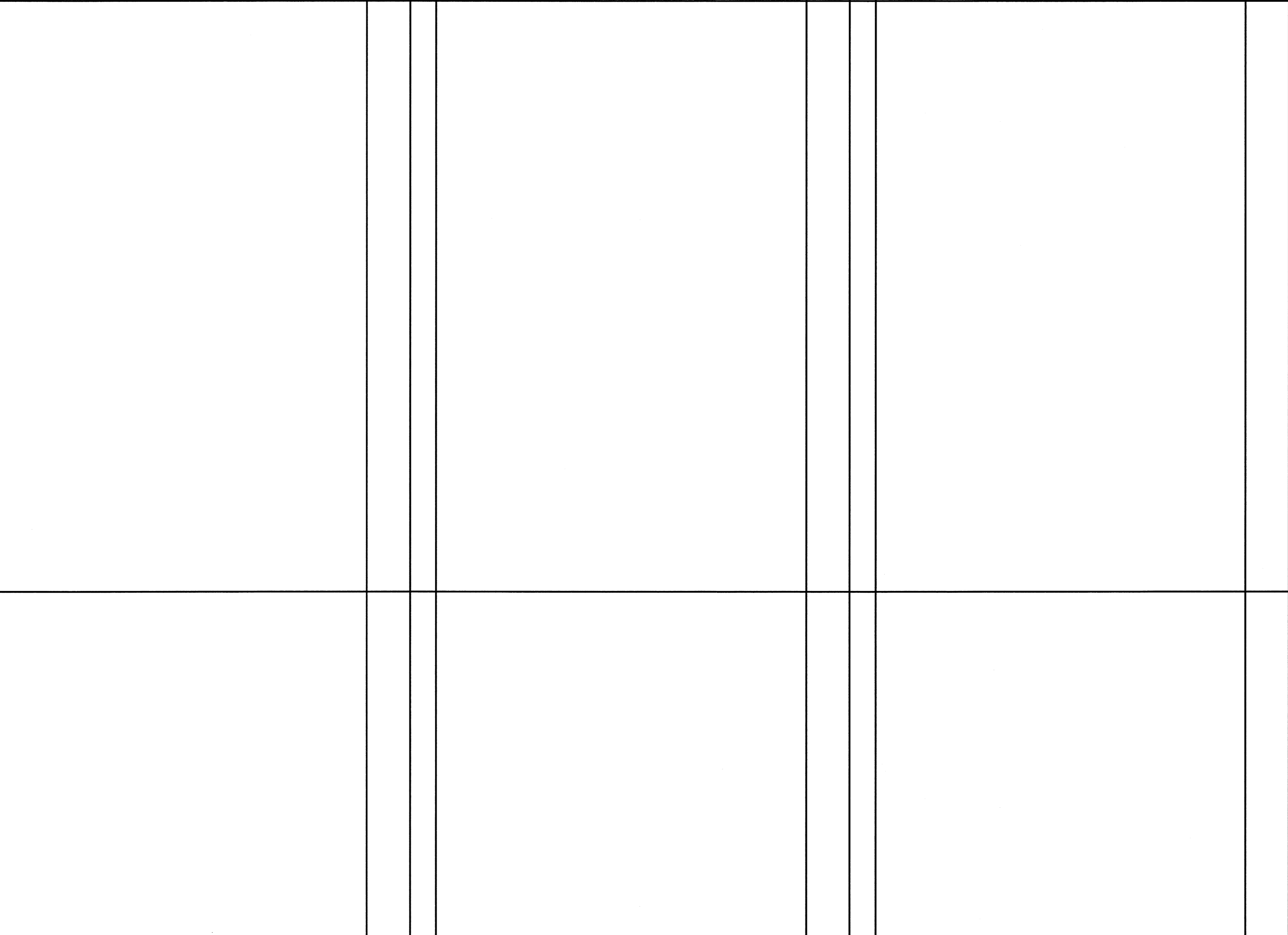
1 1/2\"/>

**PROGRESS PRINT**



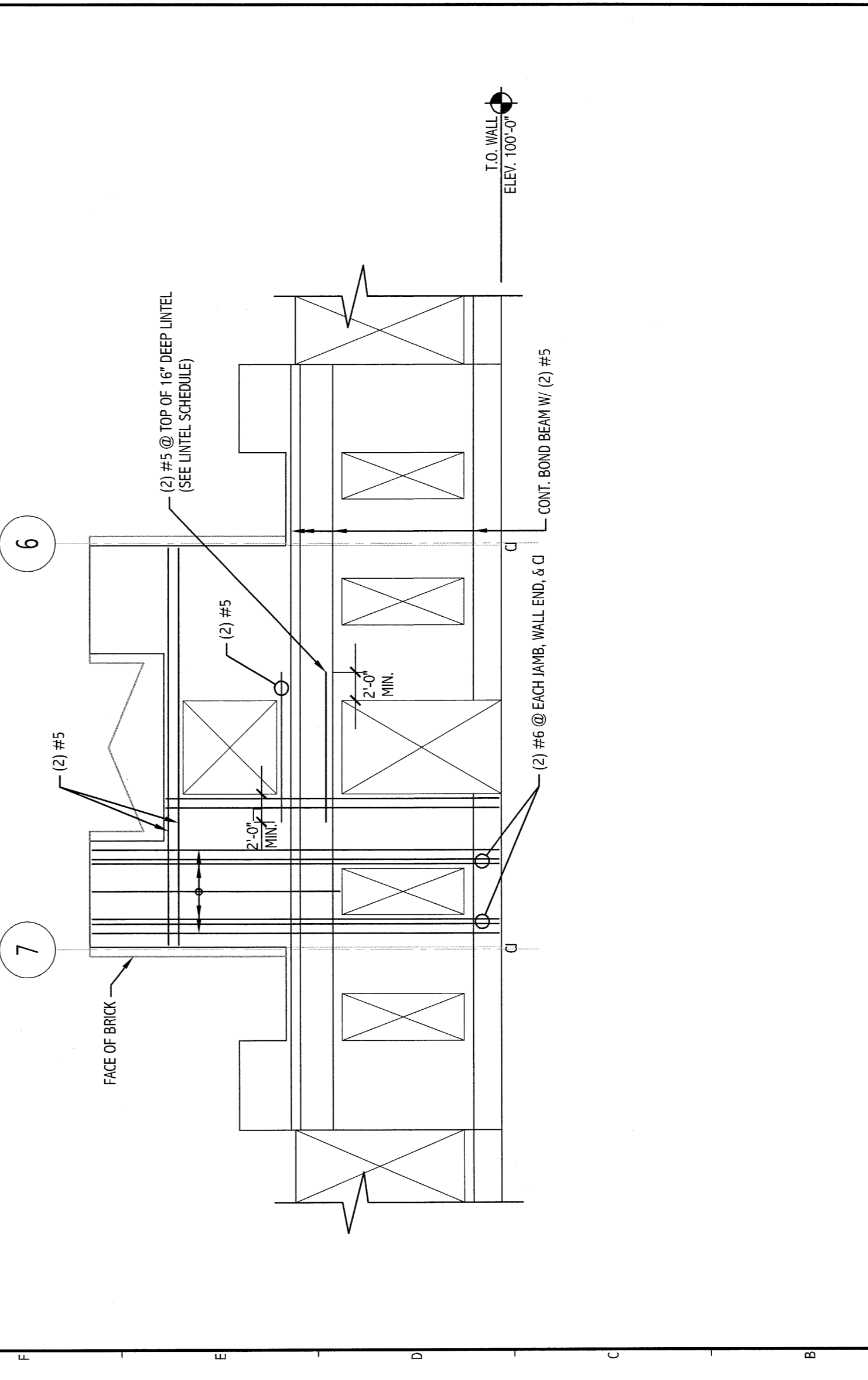
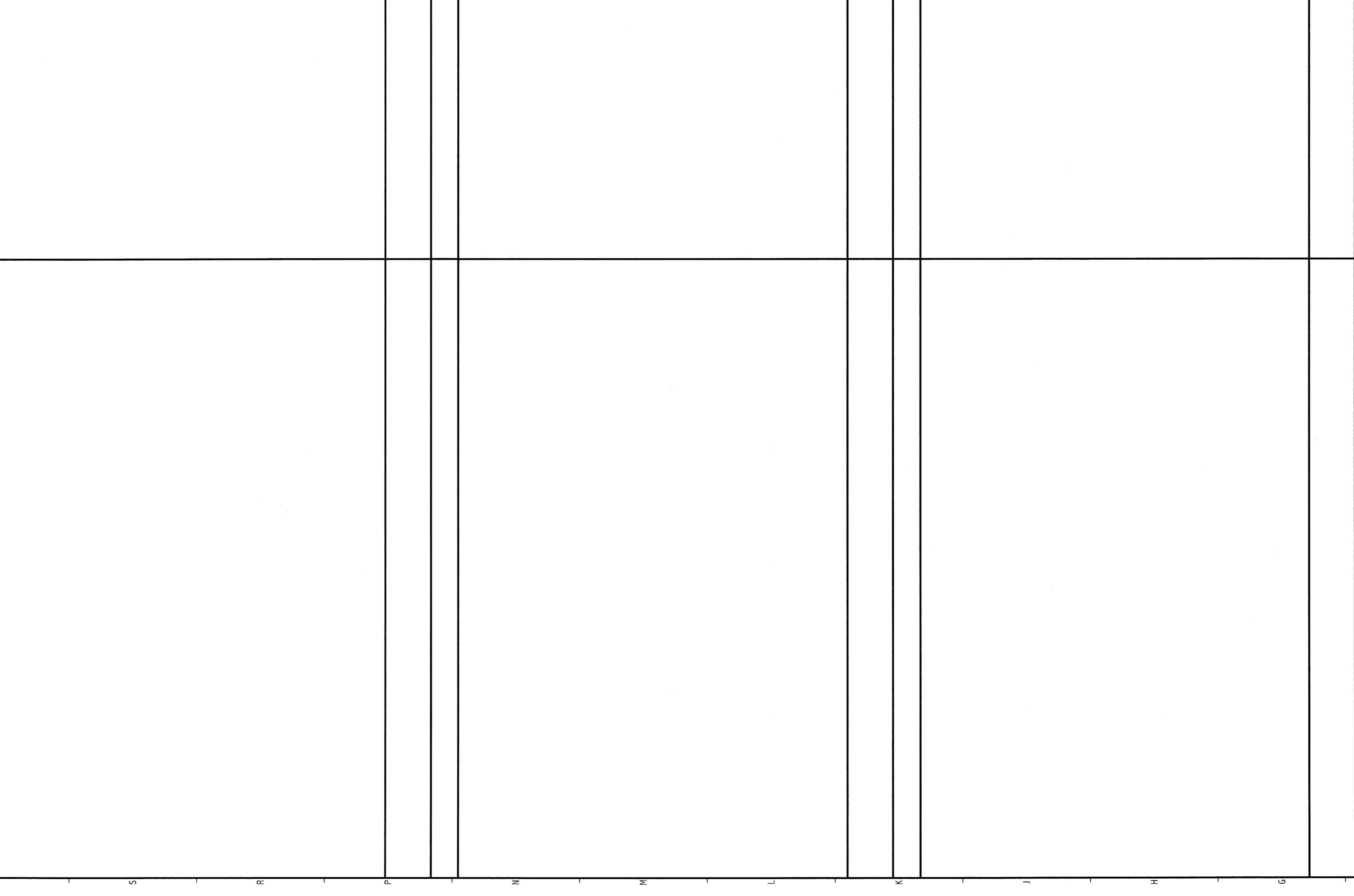
**A13 TYPICAL SECTION @ CMU SIZE CHANGE**

1 1/2\"/>



**A7 TYPICAL CMU WALL REINFORCEMENT - PARTIAL ELEVATION**

1 1/2\"/>



**A1 CMU WALL REINFORCEMENT - PARTIAL NORTH ELEVATION**

1 1/2\"/>

**PROGRESS PRINT**

**ISSUED FOR G.M.P. & PERMITTING 4-3-09**

NO.	REVISION	DATE
0		08-03-00

AS NOTED	DATE

SCALE	SUB	GRAPHIC SCALE
	ATF	0"
	ISW	
	SFW	

JOB CAPTAIN:	PROJECT NO.:	DATE:
DATE:	08-19	

ARCHITECTURE	AS NOTED
ENGINEERING	
PLANNING	
INTERIOR DESIGN	
COMMISSIONING	

**SECTIONS AND DETAILS**

SHEET TITLE:

**A18 TYPICAL LINTEL DETAIL @ MASONRY VENEER**

**A13 TYPICAL SECTION @ CMU SIZE CHANGE**

**A7 TYPICAL CMU WALL REINFORCEMENT - PARTIAL ELEVATION**

**A1 CMU WALL REINFORCEMENT - PARTIAL NORTH ELEVATION**

PROJECT NO.:

DATE: