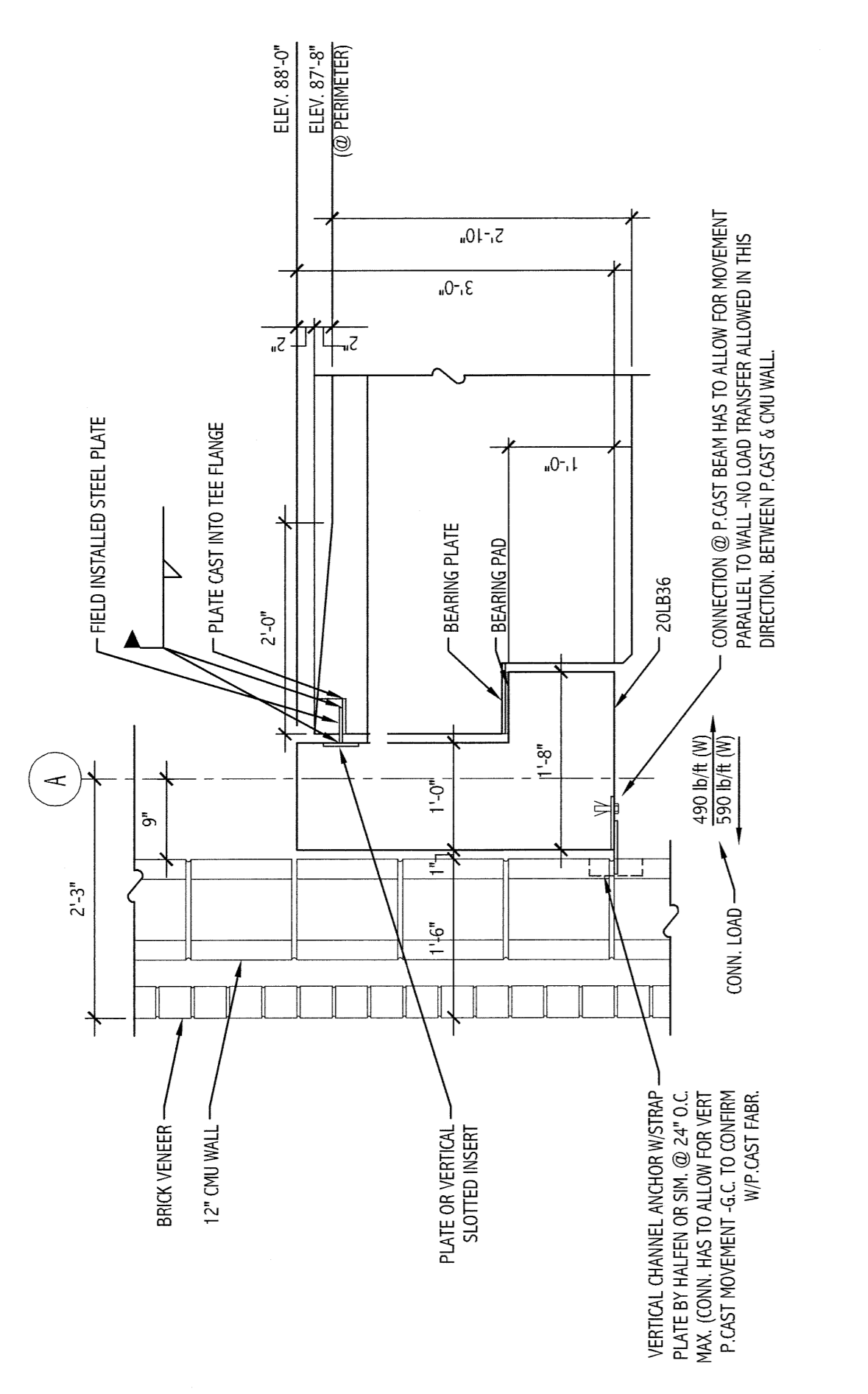
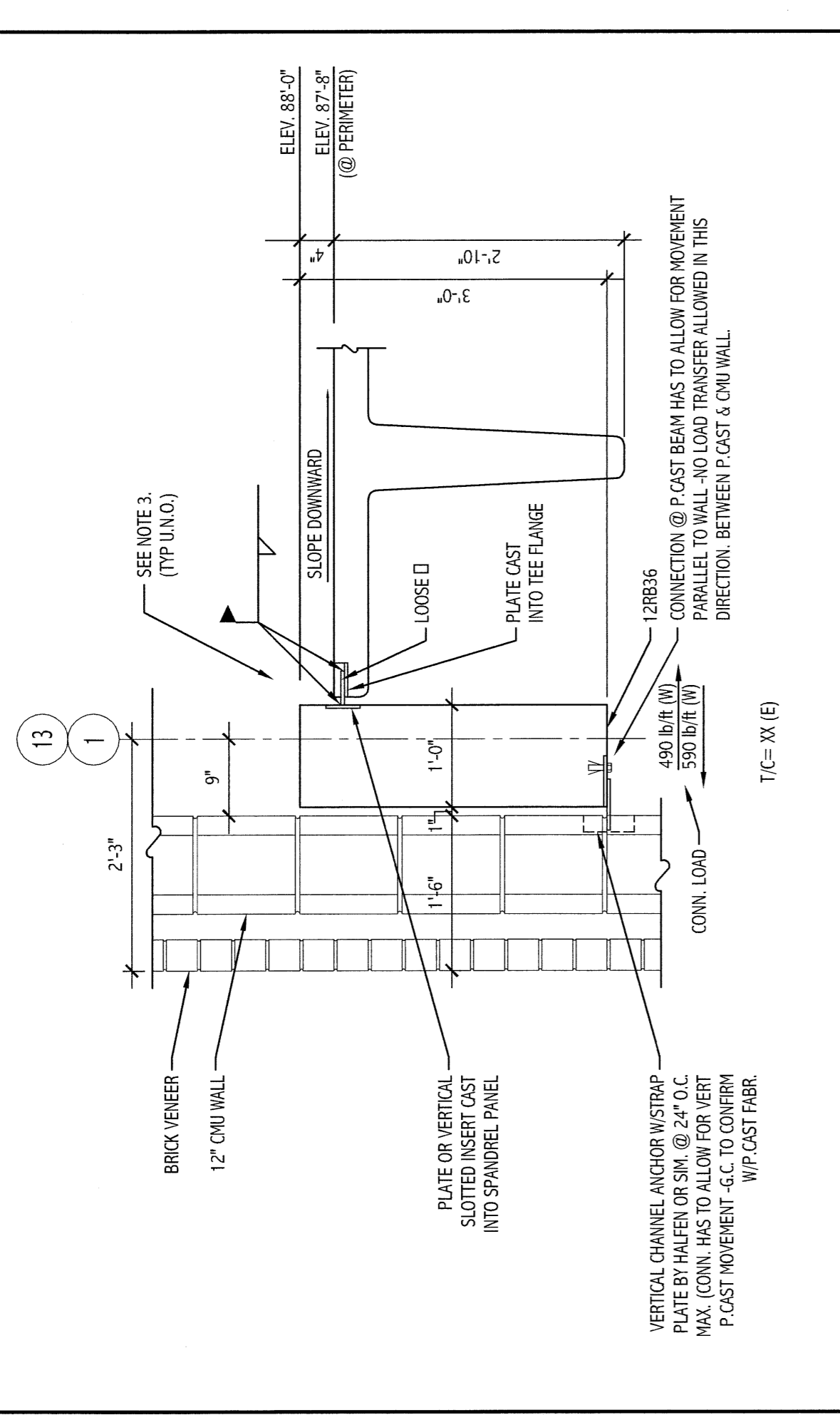


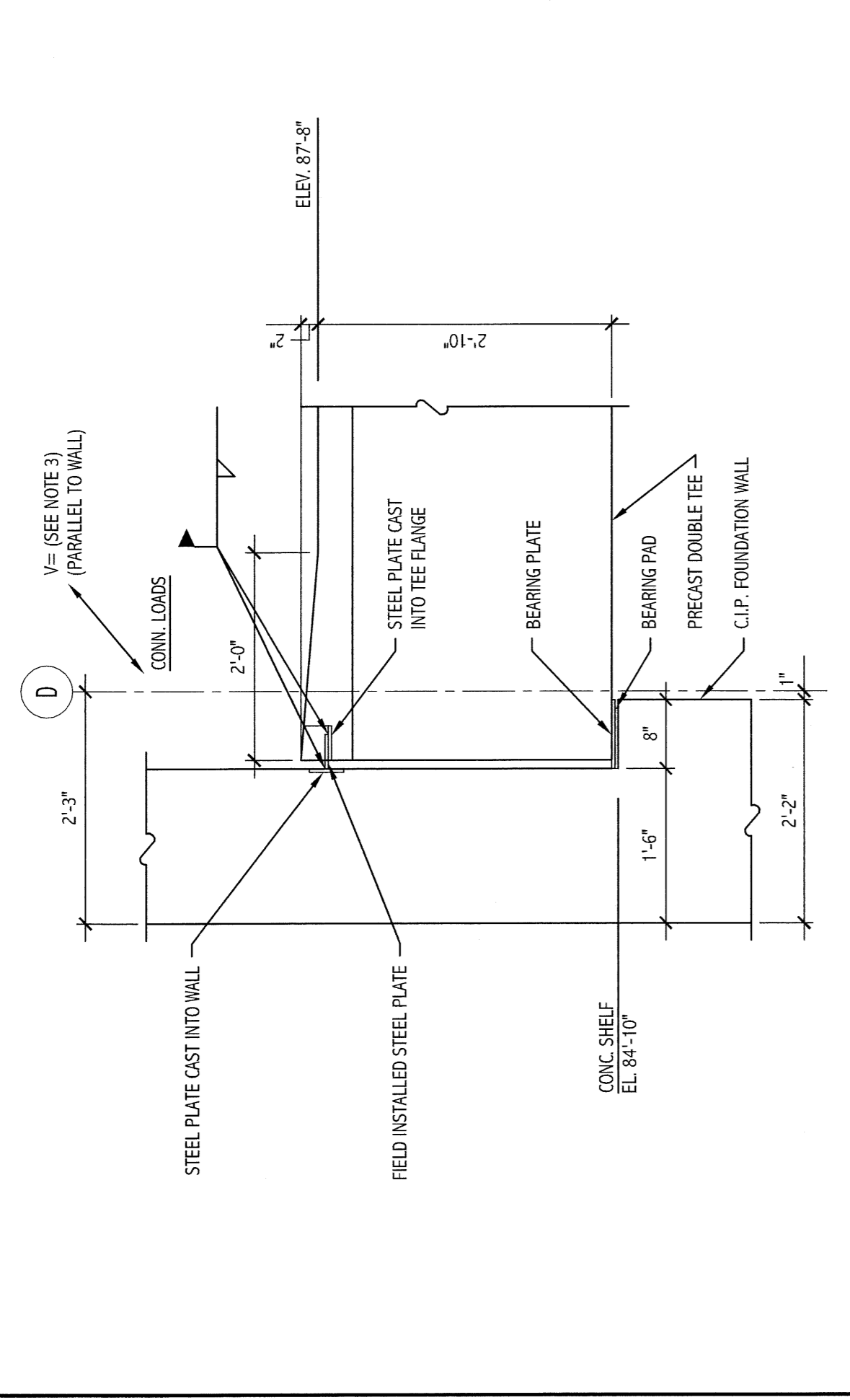
**NOTES:**  
 1. SEE DRAWING FOR PROJECT GENERAL NOTES.  
 2. SEE 55001 FOR PROJECT GENERAL NOTES.  
 3. REFER TO PRECAST LOAD DRAWING ON DRAWINGS 51401 AND 51402, I.L.O.



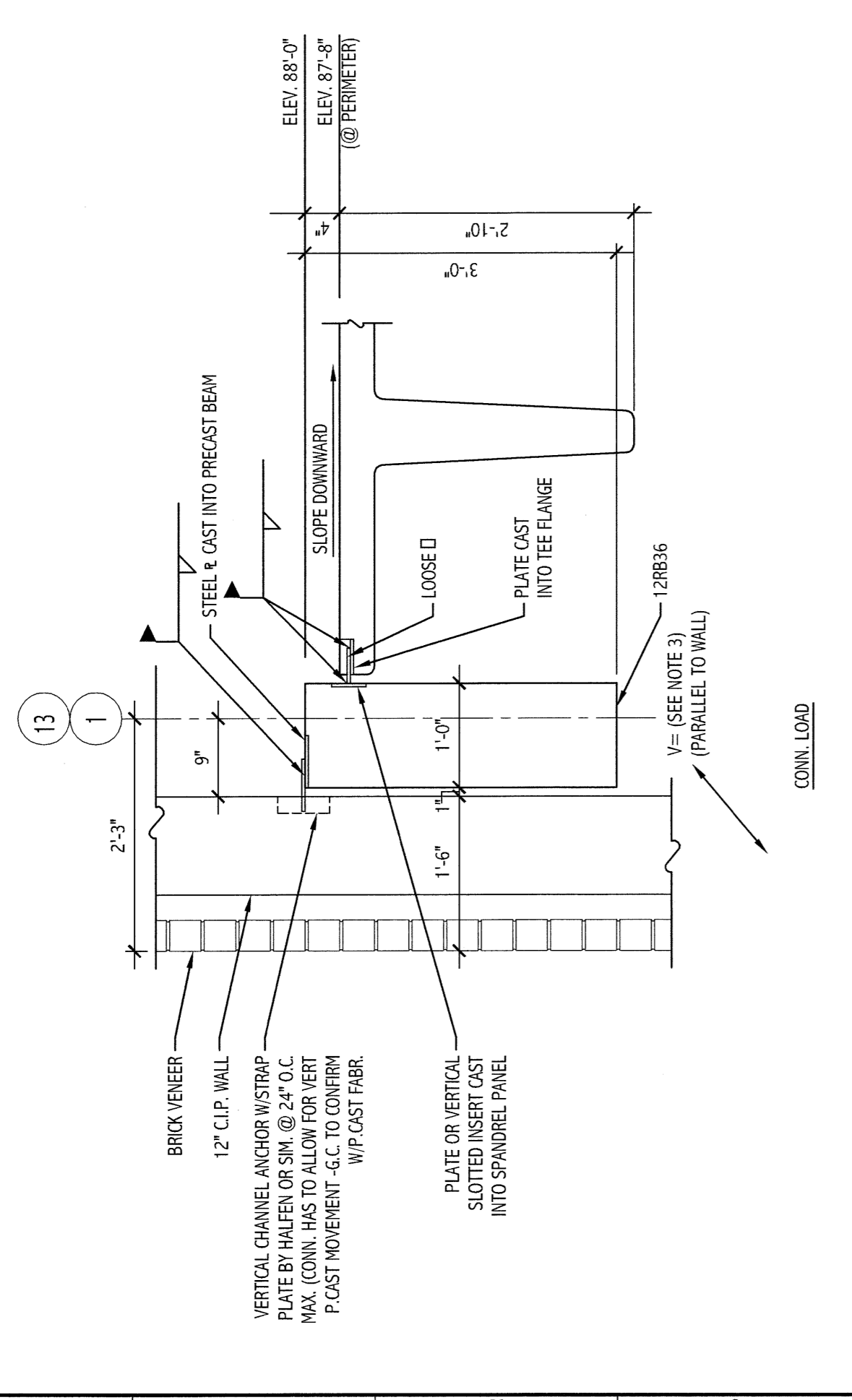
**N11**  
 TYPICAL DOUBLE TEE EDGE CONNECTION TO SPANDREL  
 3/4\"/>



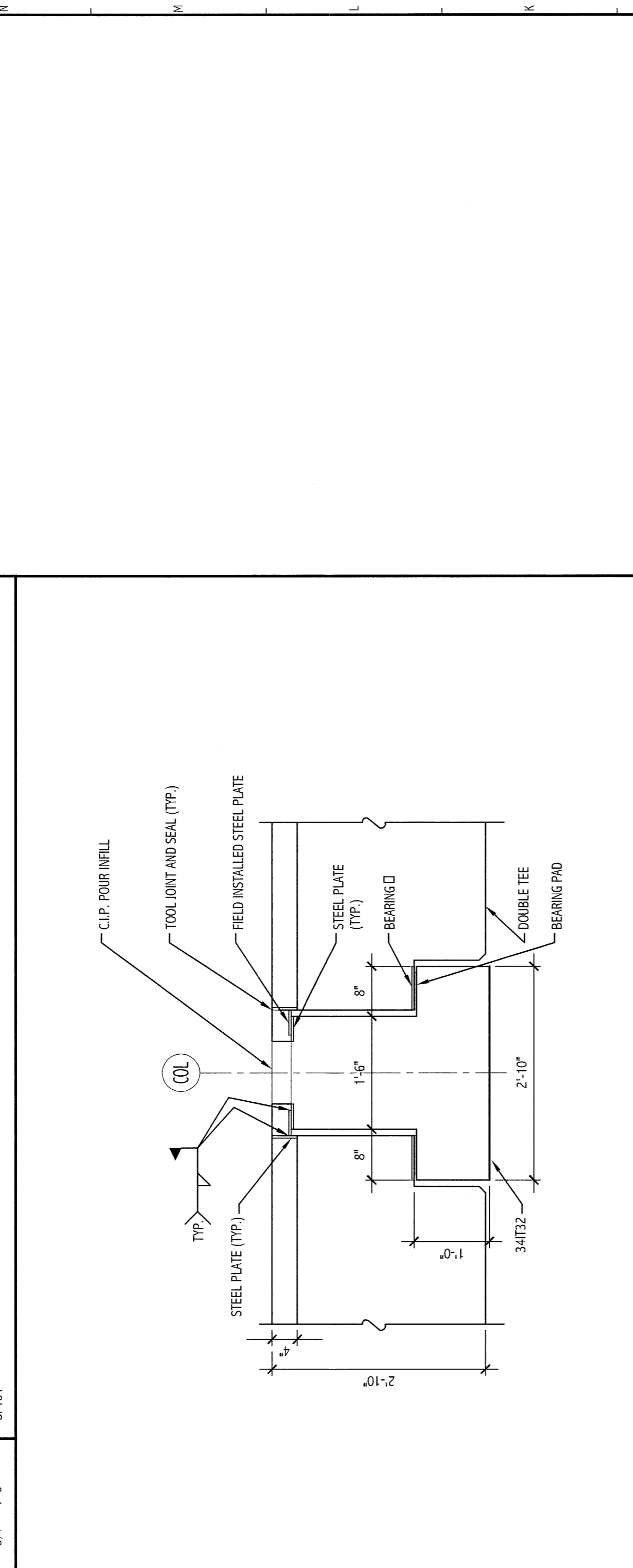
**N16**  
 TYPICAL DOUBLE TEE TO 'L' SPANDREL CONNECTION  
 3/4\"/>



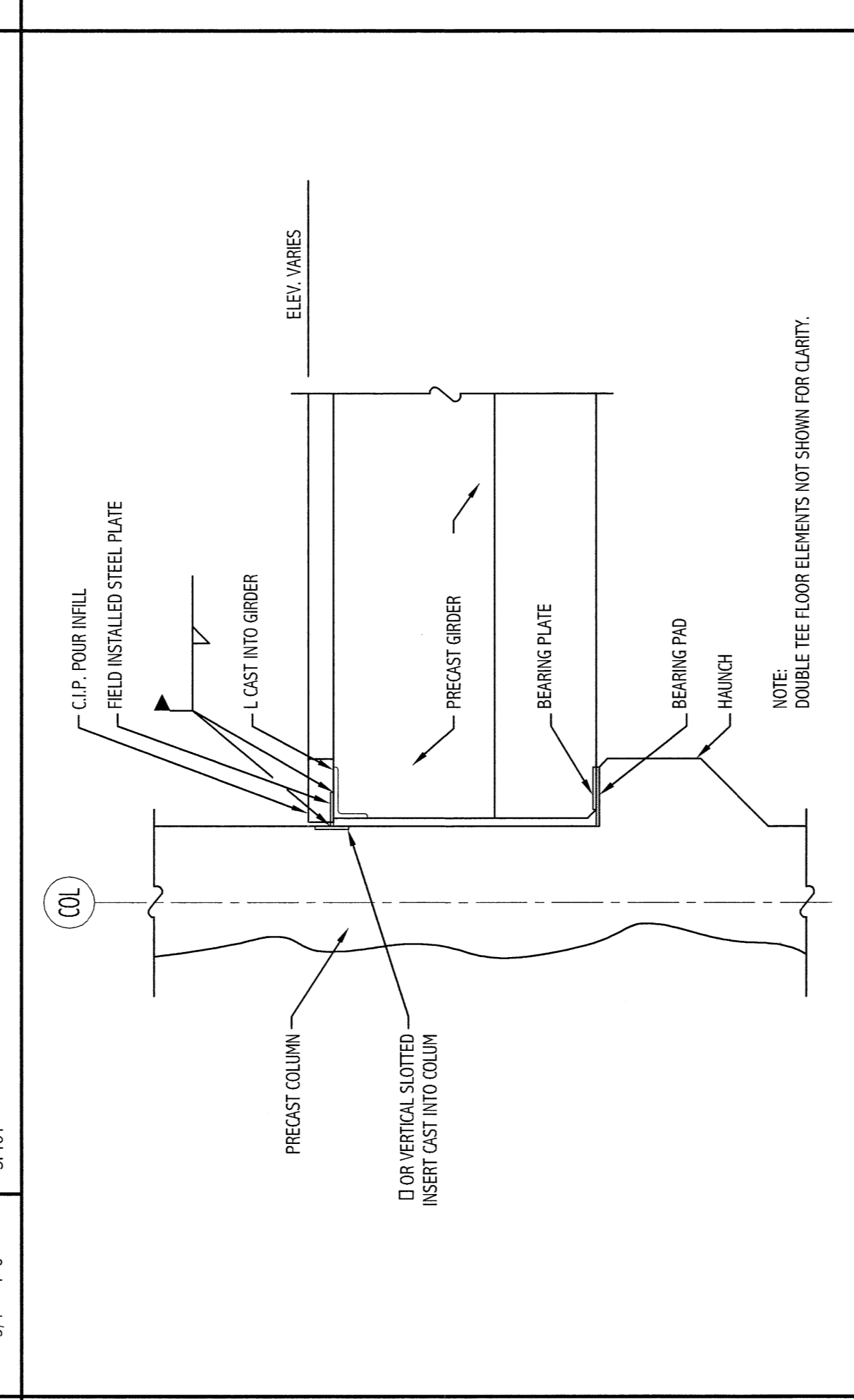
**N6**  
 TYPICAL DOUBLE TEE SUPPORT @ FOUNDATION WALL  
 3/4\"/>



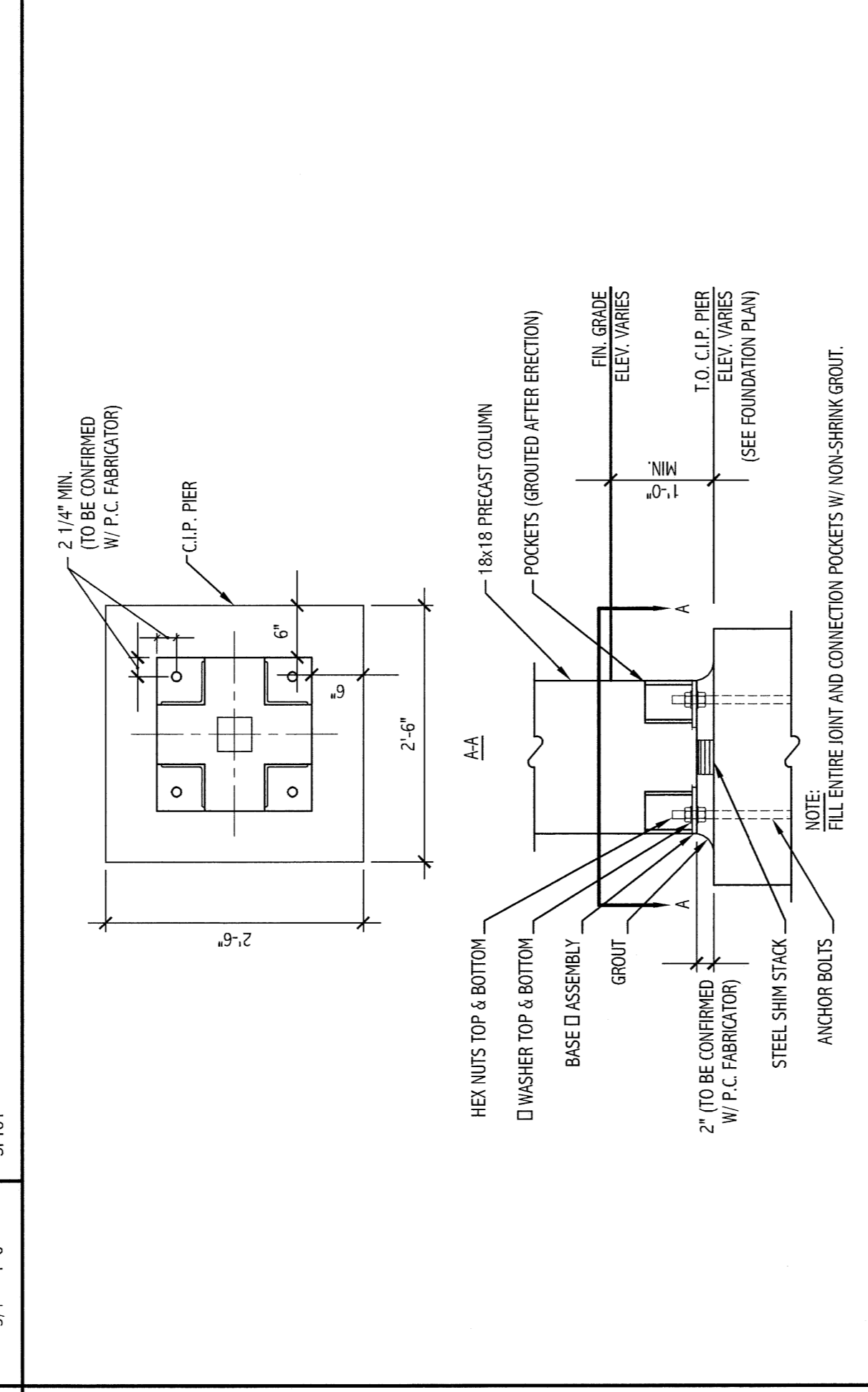
**N1**  
 TYPICAL DOUBLE TEE CONNECTION TO SPANDREL  
 3/4\"/>



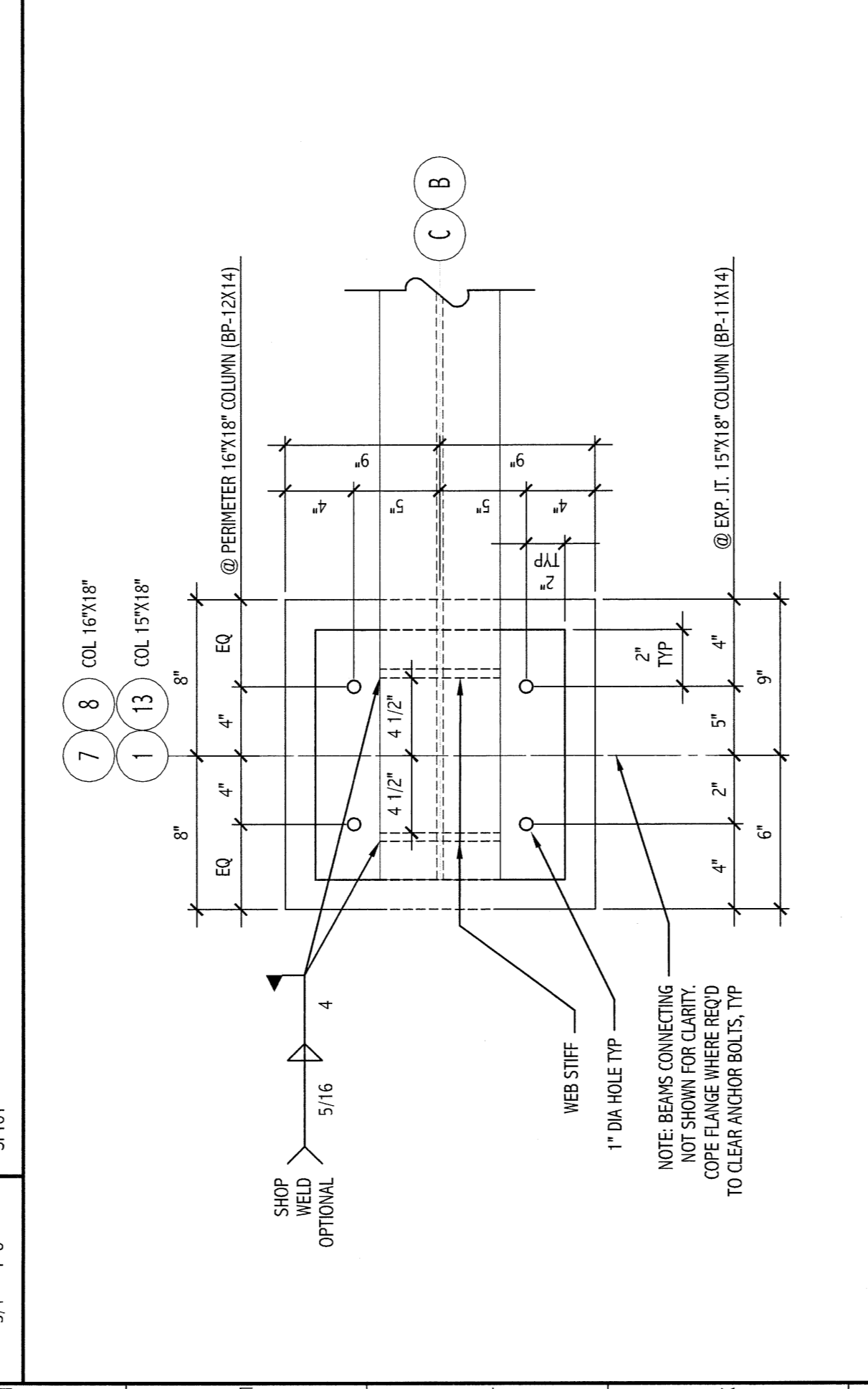
**J1**  
 BEARING PLATE - TYPE BP-11X14 & BP-12X14  
 1/2\"/>



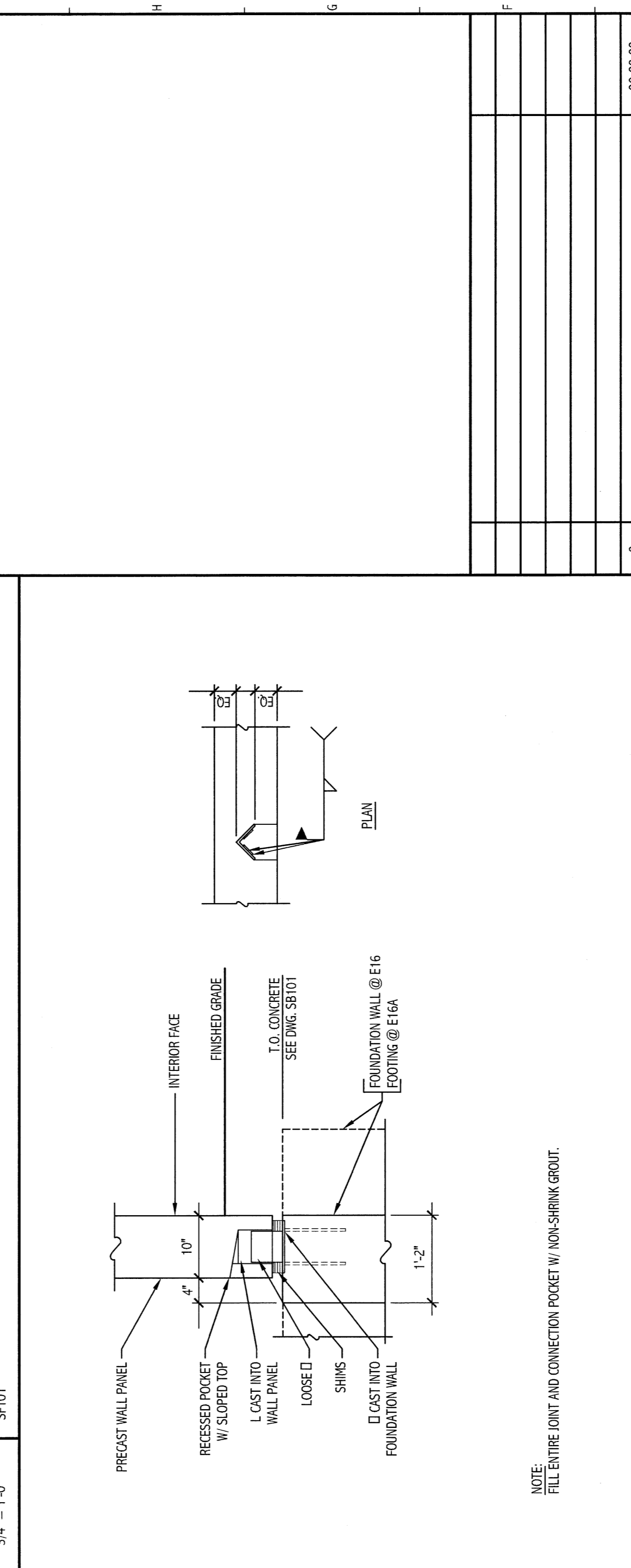
**J11**  
 PRECAST BEAM TO PRECAST COLUMN CONNECTION  
 3/4\"/>



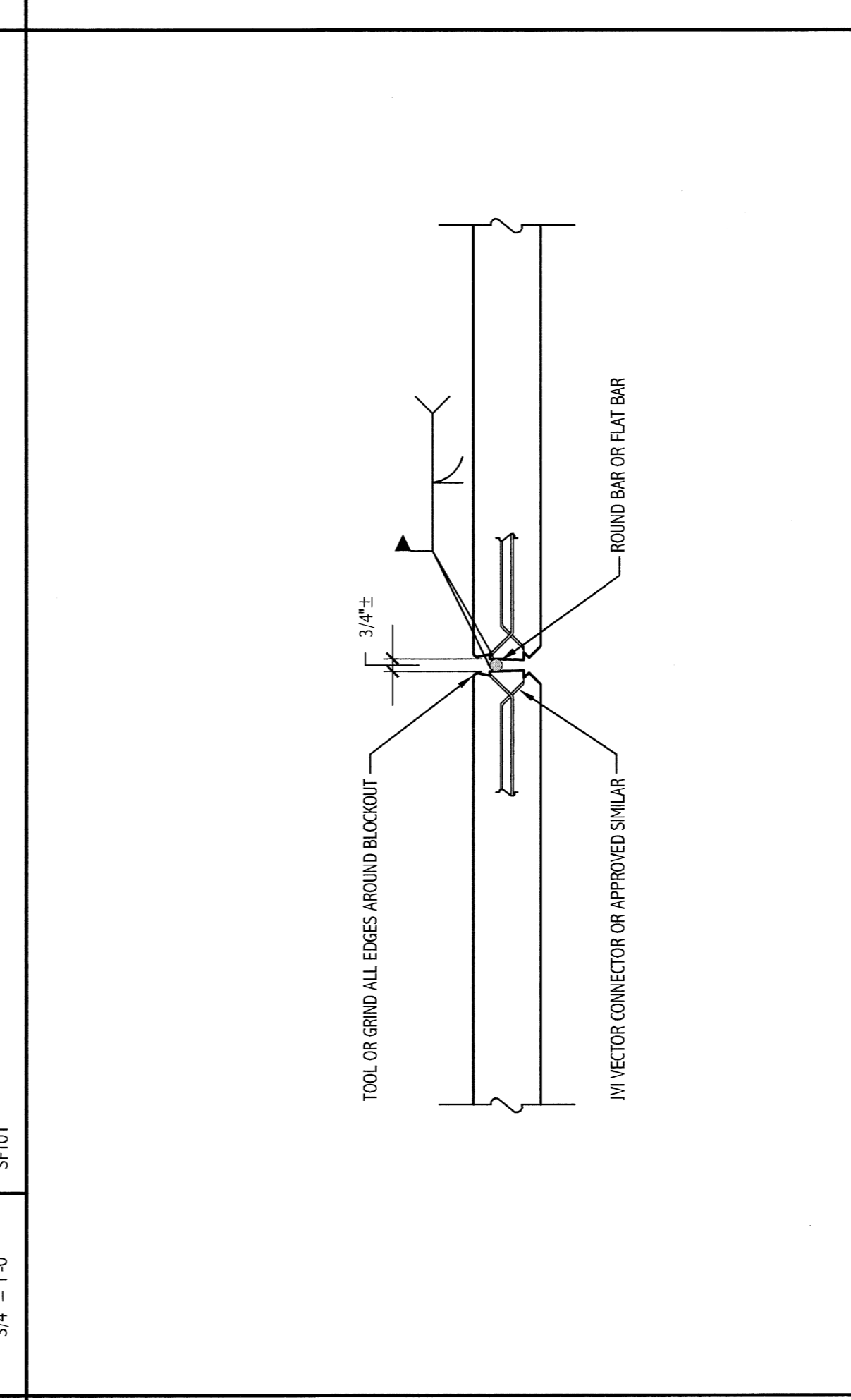
**J6**  
 TYPICAL PRECAST COLUMN BASE  
 3/4\"/>



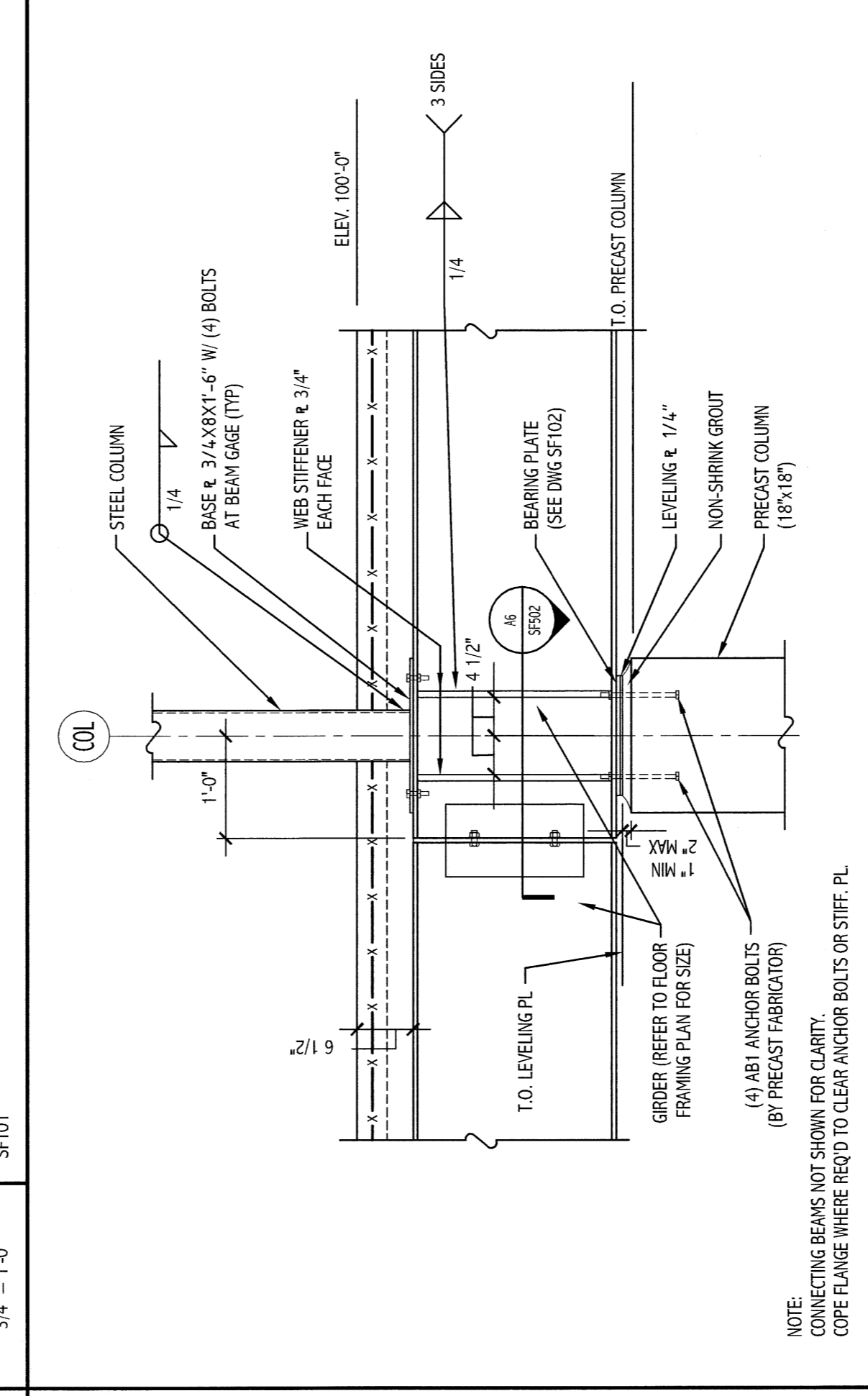
**J16**  
 TYPICAL DOUBLE TEE TO GIRDER CONNECTION  
 3/4\"/>



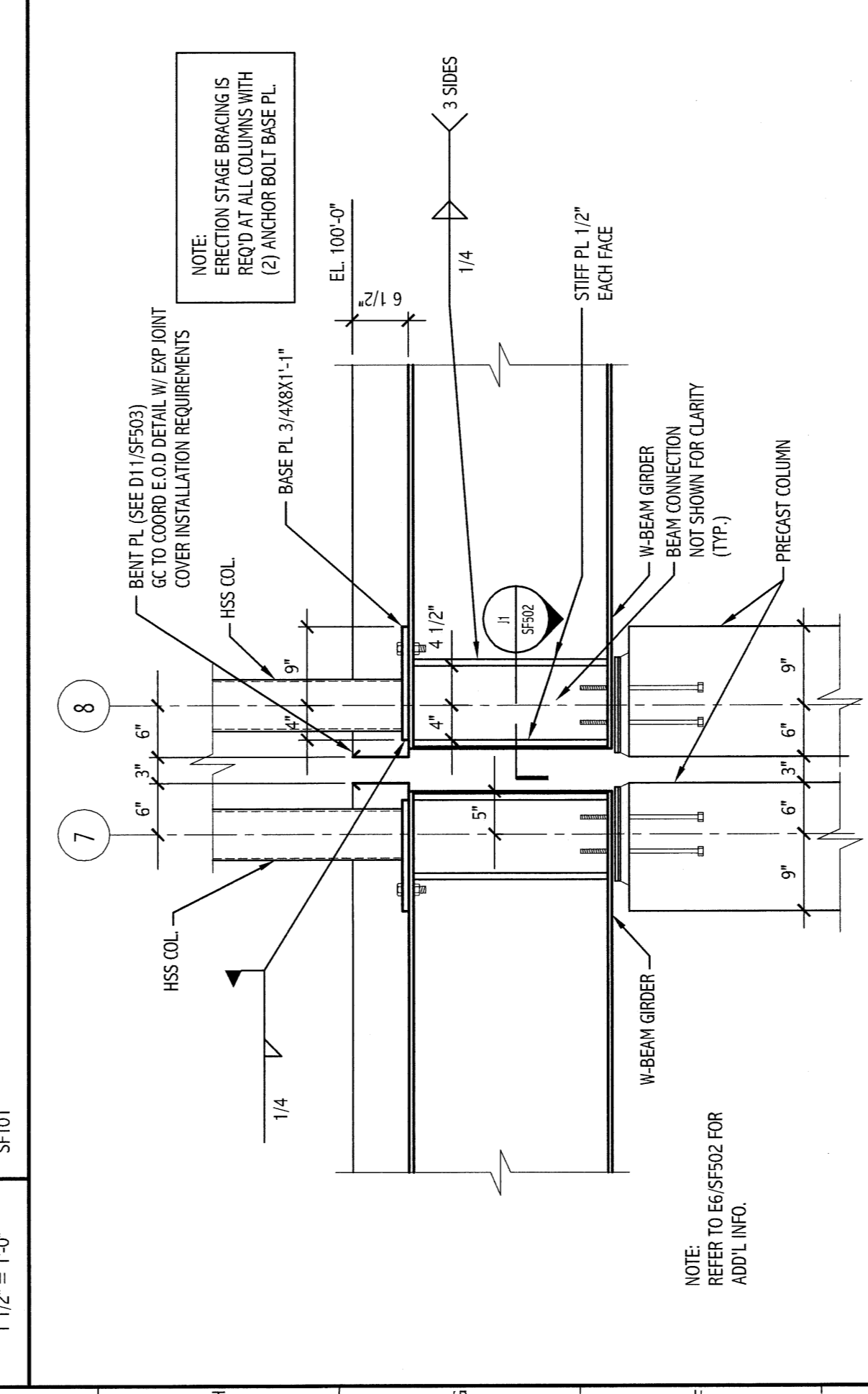
**E1**  
 SECTION @ EXPANSION JOINT  
 3/4\"/>



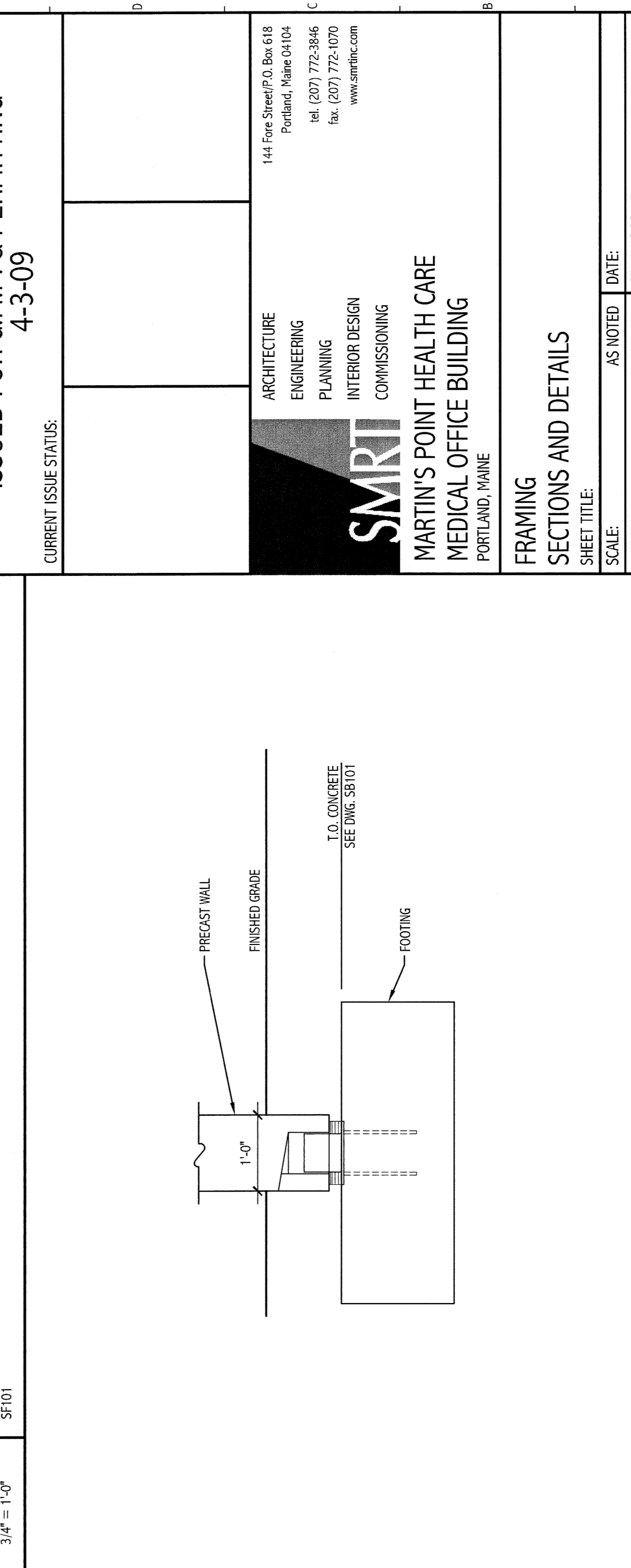
**E11**  
 DOUBLE TEE FLANGE CONNECTION  
 1/2\"/>



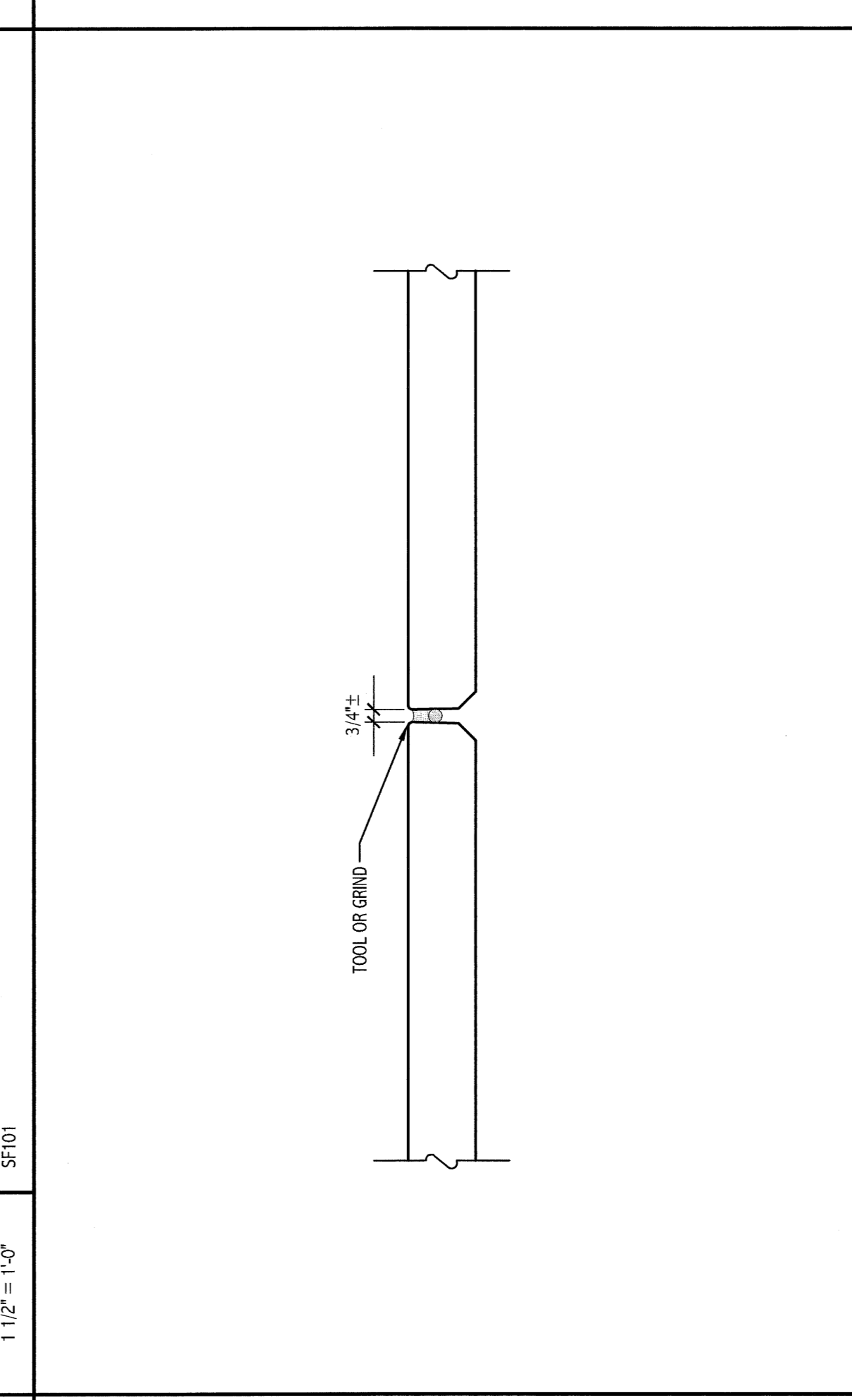
**E6**  
 TYPICAL DETAIL @ INTERIOR COLUMN (U.N.O.)  
 3/4\"/>



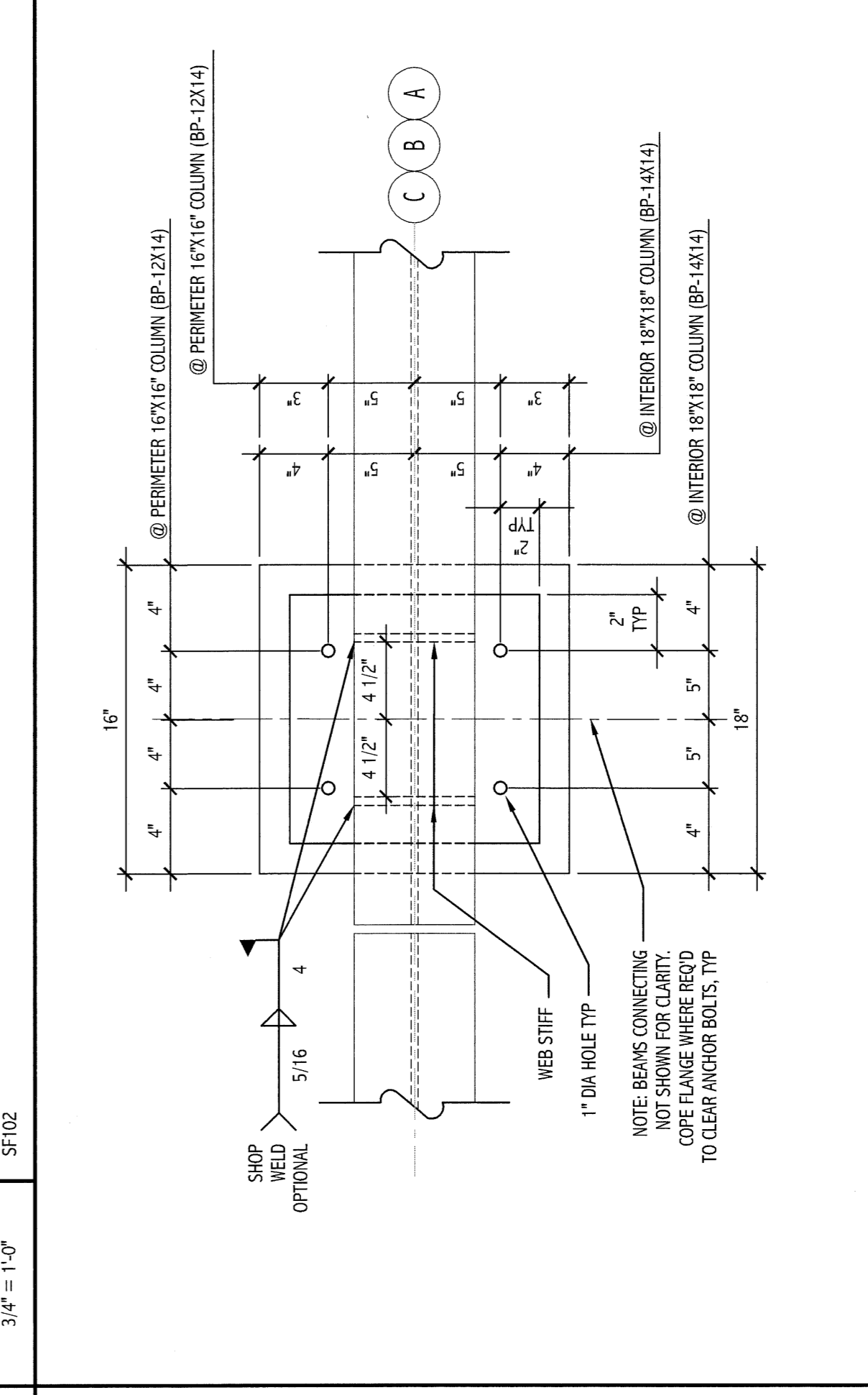
**E16/E16A**  
 TYPICAL PRECAST WALL PANEL BASE  
 3/4\"/>



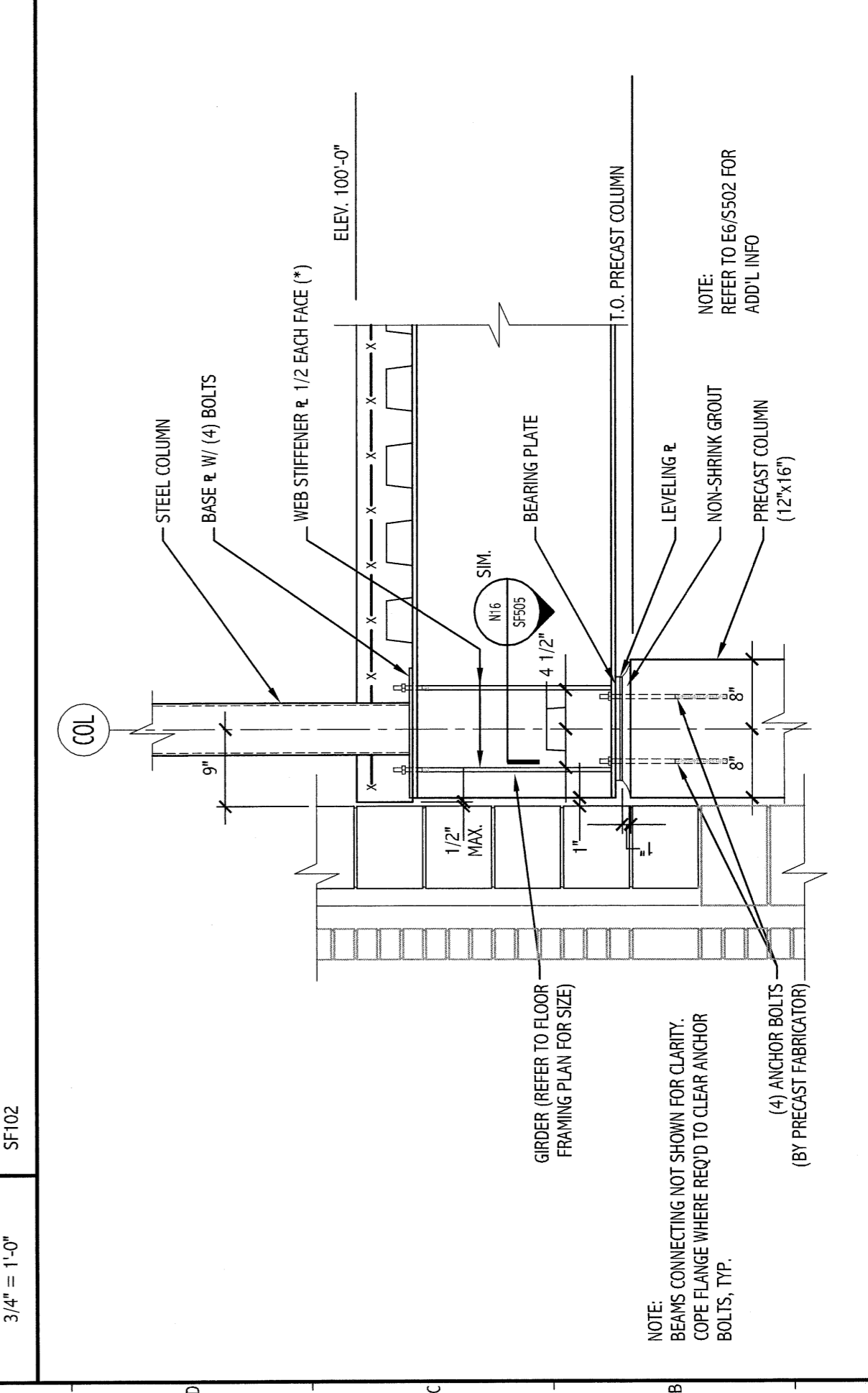
**A1**  
 DETAIL @ PERIMETER COL.  
 3/4\"/>



**A11**  
 DOUBLE TEE FLANGE JOINT DETAIL BEYOND CONNECTION  
 1/2\"/>



**A6**  
 BEARING PLATE - TYPE BP-12X14 & BP-14X14  
 1/2\"/>



**A16**  
 PRECAST WALL PANEL BASE @ COLUMN LINES 5 & 9  
 3/4\"/>

**SMRI**  
 ARCHITECTURE  
 ENGINEERING  
 PLANNING  
 INTERIOR DESIGN  
 COMMISSIONING

**MARTIN'S POINT HEALTH CARE**  
 MEDICAL OFFICE BUILDING  
 PORTLAND, MAINE

144 State Street, 6th Fl.  
 Portland, Maine 04104  
 Tel: (207) 775-3846  
 Fax: (207) 775-0100  
 www.smri.com

PROJECT MANAGER: DATE: SCALE: GRAPHIC SCALE: 0' 1'

JOB CAPTAIN: TOWN/SH: SHEET NO. 08139

DATE OF RECORD: SF502-08139

SHEET NO. SF502

PROJECT NO. 08139

ISSUED FOR G.M.P. & PERMITTING  
 4-3-09

CURRENT ISSUE STATUS:

PROGRESS PRINT