

D1 THIRD LEVEL FRAMING PLAN  
1/8" = 1'-0"

144 First Street, Suite 610  
Portland, Maine 04101  
Tel: (207) 775-3066  
Fax: (207) 775-3069  
www.smarti.com

**SMARTI**  
ARCHITECTURE  
ENGINEERING  
PLANNING  
INTERIOR DESIGN  
COMMISSIONING

MARTIN'S POINT HEALTH CARE  
MEDICAL OFFICE BUILDING  
PORTLAND, MAINE

THIRD LEVEL: MEDICAL OFFICES  
FRAMING PLAN

AS NOTED	DATE
PROJECT MANAGER	SLB
JOB CAPTAIN	TSW
DATE OF RECORD	08/13/20
SMARTI CAD FILE	SP102-08129
PROJECT NO.	08129

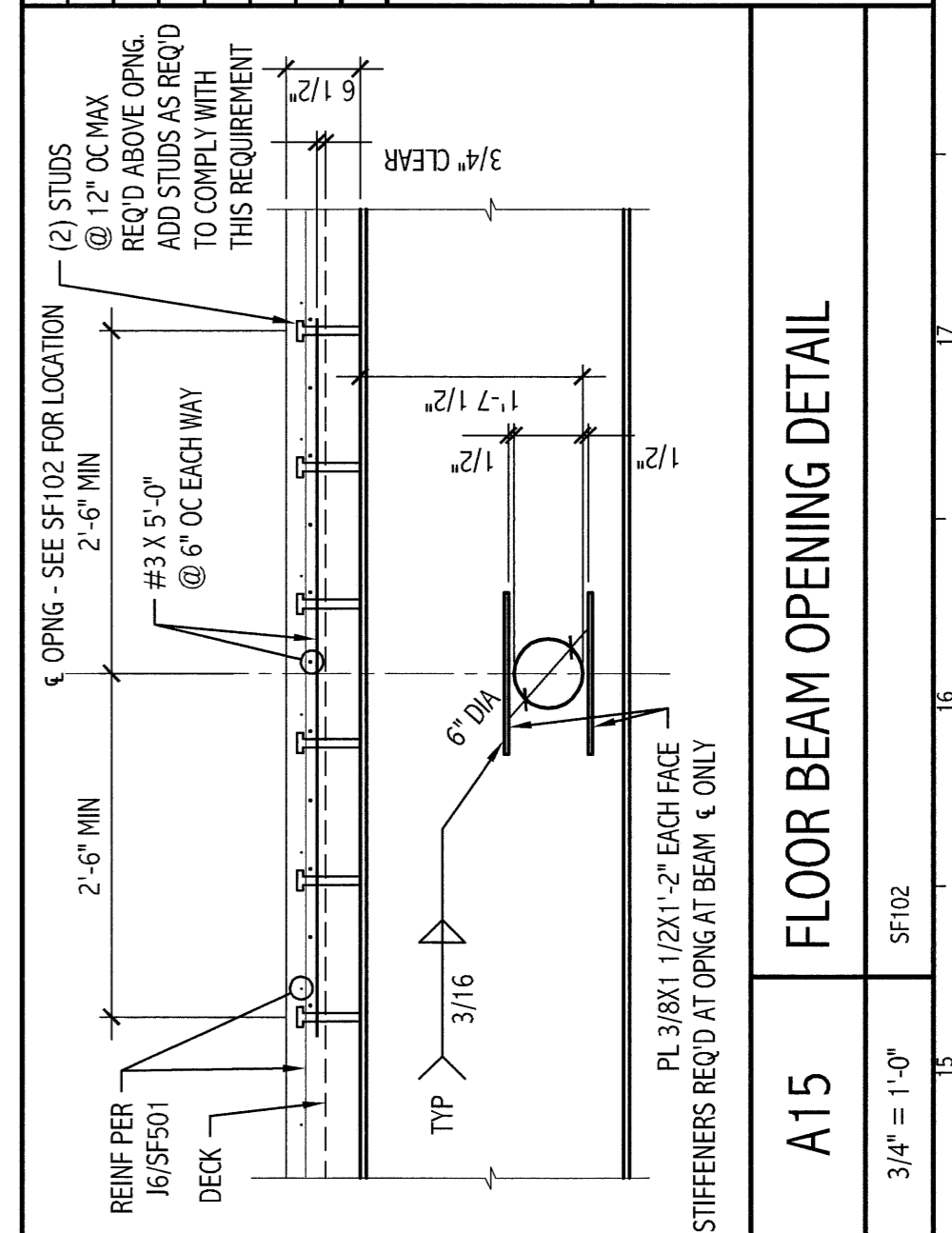
SCALE: \_\_\_\_\_  
GRAPHIC SCALE: \_\_\_\_\_  
SHEET NO. **SF-102**

REV.	DESCRIPTION	DATE
0		08/13/20

ISSUED FOR G.M.P. & PERMITTING  
4-3-09

CURRENT ISSUE STATUS:

PROJECT MONTH: \_\_\_\_\_



**GENERAL NOTES:**

- SEE GOOD FOR PROJECT GENERAL NOTES.
7. COLUMN AND BEARING PLATES ARE SHOWN THIS WAY.
8. COLUMN AND BEARING PLATES ARE SHOWN THIS WAY.
9. COLUMN AND BEARING PLATES ARE SHOWN THIS WAY.
10. COLUMN AND BEARING PLATES ARE SHOWN THIS WAY.
11. COLUMN AND BEARING PLATES ARE SHOWN THIS WAY.
12. COLUMN AND BEARING PLATES ARE SHOWN THIS WAY.
13. COLUMN AND BEARING PLATES ARE SHOWN THIS WAY.
14. COLUMN AND BEARING PLATES ARE SHOWN THIS WAY.
15. COLUMN AND BEARING PLATES ARE SHOWN THIS WAY.
16. COLUMN AND BEARING PLATES ARE SHOWN THIS WAY.
17. COLUMN AND BEARING PLATES ARE SHOWN THIS WAY.
18. COLUMN AND BEARING PLATES ARE SHOWN THIS WAY.
19. COLUMN AND BEARING PLATES ARE SHOWN THIS WAY.
20. COLUMN AND BEARING PLATES ARE SHOWN THIS WAY.
21. COLUMN AND BEARING PLATES ARE SHOWN THIS WAY.
22. COLUMN AND BEARING PLATES ARE SHOWN THIS WAY.
23. COLUMN AND BEARING PLATES ARE SHOWN THIS WAY.
24. COLUMN AND BEARING PLATES ARE SHOWN THIS WAY.
25. COLUMN AND BEARING PLATES ARE SHOWN THIS WAY.
26. COLUMN AND BEARING PLATES ARE SHOWN THIS WAY.
27. COLUMN AND BEARING PLATES ARE SHOWN THIS WAY.
28. COLUMN AND BEARING PLATES ARE SHOWN THIS WAY.
29. COLUMN AND BEARING PLATES ARE SHOWN THIS WAY.
30. COLUMN AND BEARING PLATES ARE SHOWN THIS WAY.
31. COLUMN AND BEARING PLATES ARE SHOWN THIS WAY.
32. COLUMN AND BEARING PLATES ARE SHOWN THIS WAY.
33. COLUMN AND BEARING PLATES ARE SHOWN THIS WAY.
34. COLUMN AND BEARING PLATES ARE SHOWN THIS WAY.
35. COLUMN AND BEARING PLATES ARE SHOWN THIS WAY.
36. COLUMN AND BEARING PLATES ARE SHOWN THIS WAY.
37. COLUMN AND BEARING PLATES ARE SHOWN THIS WAY.
38. COLUMN AND BEARING PLATES ARE SHOWN THIS WAY.
39. COLUMN AND BEARING PLATES ARE SHOWN THIS WAY.
40. COLUMN AND BEARING PLATES ARE SHOWN THIS WAY.
41. COLUMN AND BEARING PLATES ARE SHOWN THIS WAY.
42. COLUMN AND BEARING PLATES ARE SHOWN THIS WAY.
43. COLUMN AND BEARING PLATES ARE SHOWN THIS WAY.
44. COLUMN AND BEARING PLATES ARE SHOWN THIS WAY.
45. COLUMN AND BEARING PLATES ARE SHOWN THIS WAY.
46. COLUMN AND BEARING PLATES ARE SHOWN THIS WAY.
47. COLUMN AND BEARING PLATES ARE SHOWN THIS WAY.
48. COLUMN AND BEARING PLATES ARE SHOWN THIS WAY.
49. COLUMN AND BEARING PLATES ARE SHOWN THIS WAY.
50. COLUMN AND BEARING PLATES ARE SHOWN THIS WAY.
51. COLUMN AND BEARING PLATES ARE SHOWN THIS WAY.
52. COLUMN AND BEARING PLATES ARE SHOWN THIS WAY.
53. COLUMN AND BEARING PLATES ARE SHOWN THIS WAY.
54. COLUMN AND BEARING PLATES ARE SHOWN THIS WAY.
55. COLUMN AND BEARING PLATES ARE SHOWN THIS WAY.
56. COLUMN AND BEARING PLATES ARE SHOWN THIS WAY.
57. COLUMN AND BEARING PLATES ARE SHOWN THIS WAY.
58. COLUMN AND BEARING PLATES ARE SHOWN THIS WAY.
59. COLUMN AND BEARING PLATES ARE SHOWN THIS WAY.
60. COLUMN AND BEARING PLATES ARE SHOWN THIS WAY.
61. COLUMN AND BEARING PLATES ARE SHOWN THIS WAY.
62. COLUMN AND BEARING PLATES ARE SHOWN THIS WAY.
63. COLUMN AND BEARING PLATES ARE SHOWN THIS WAY.
64. COLUMN AND BEARING PLATES ARE SHOWN THIS WAY.
65. COLUMN AND BEARING PLATES ARE SHOWN THIS WAY.
66. COLUMN AND BEARING PLATES ARE SHOWN THIS WAY.
67. COLUMN AND BEARING PLATES ARE SHOWN THIS WAY.
68. COLUMN AND BEARING PLATES ARE SHOWN THIS WAY.
69. COLUMN AND BEARING PLATES ARE SHOWN THIS WAY.
70. COLUMN AND BEARING PLATES ARE SHOWN THIS WAY.
71. COLUMN AND BEARING PLATES ARE SHOWN THIS WAY.
72. COLUMN AND BEARING PLATES ARE SHOWN THIS WAY.
73. COLUMN AND BEARING PLATES ARE SHOWN THIS WAY.
74. COLUMN AND BEARING PLATES ARE SHOWN THIS WAY.
75. COLUMN AND BEARING PLATES ARE SHOWN THIS WAY.
76. COLUMN AND BEARING PLATES ARE SHOWN THIS WAY.
77. COLUMN AND BEARING PLATES ARE SHOWN THIS WAY.
78. COLUMN AND BEARING PLATES ARE SHOWN THIS WAY.
79. COLUMN AND BEARING PLATES ARE SHOWN THIS WAY.
80. COLUMN AND BEARING PLATES ARE SHOWN THIS WAY.
81. COLUMN AND BEARING PLATES ARE SHOWN THIS WAY.
82. COLUMN AND BEARING PLATES ARE SHOWN THIS WAY.
83. COLUMN AND BEARING PLATES ARE SHOWN THIS WAY.
84. COLUMN AND BEARING PLATES ARE SHOWN THIS WAY.
85. COLUMN AND BEARING PLATES ARE SHOWN THIS WAY.
86. COLUMN AND BEARING PLATES ARE SHOWN THIS WAY.
87. COLUMN AND BEARING PLATES ARE SHOWN THIS WAY.
88. COLUMN AND BEARING PLATES ARE SHOWN THIS WAY.
89. COLUMN AND BEARING PLATES ARE SHOWN THIS WAY.
90. COLUMN AND BEARING PLATES ARE SHOWN THIS WAY.
91. COLUMN AND BEARING PLATES ARE SHOWN THIS WAY.
92. COLUMN AND BEARING PLATES ARE SHOWN THIS WAY.
93. COLUMN AND BEARING PLATES ARE SHOWN THIS WAY.
94. COLUMN AND BEARING PLATES ARE SHOWN THIS WAY.
95. COLUMN AND BEARING PLATES ARE SHOWN THIS WAY.
96. COLUMN AND BEARING PLATES ARE SHOWN THIS WAY.
97. COLUMN AND BEARING PLATES ARE SHOWN THIS WAY.
98. COLUMN AND BEARING PLATES ARE SHOWN THIS WAY.
99. COLUMN AND BEARING PLATES ARE SHOWN THIS WAY.
100. COLUMN AND BEARING PLATES ARE SHOWN THIS WAY.

**NOTES:**

- FOR GENERAL NOTES SEE S5001
- TYPICAL DECK CONCRETE SLAB ON 3/4" 6x18 GALV COMPOSITE DECK REINFORCED WITH 3/8" 12" O.C. W/ 1" DIA. CONCRETE THICKNESS 6" TO CONC. DECKEL 108'-0"
- THE CONCRETE DECK THICKNESS SHALL BE INCREASED IF REQUIRED TO COMPENSATE FOR BEAM DEFLECTION DURING CONCRETE POUR.
- T.O.S. EL. (+0'-6" / 12") TYP. UNO.
- RECTIONS INDICATED ARE PROVIDED AT END OF BEAMS, DESIGNED AS COMPOSITE WITH THE CONCRETE SLAB, FOR CONNECTION DESIGN. SEE S5001 FOR ADD'L REQUIREMENTS.
- NUMBERS IN BRACKETS SHOW THIS TO INDICATE THE REQUIRED NUMBER OF SHEAR CONNECTORS THAT SHALL BE FIELD WELDED TO THE BEAM TOP FLANGE. SEE S5001 FOR REQUIREMENTS.
- "-1" DESIGNATES REQUIRED GEMBER AT MIDSPAN.