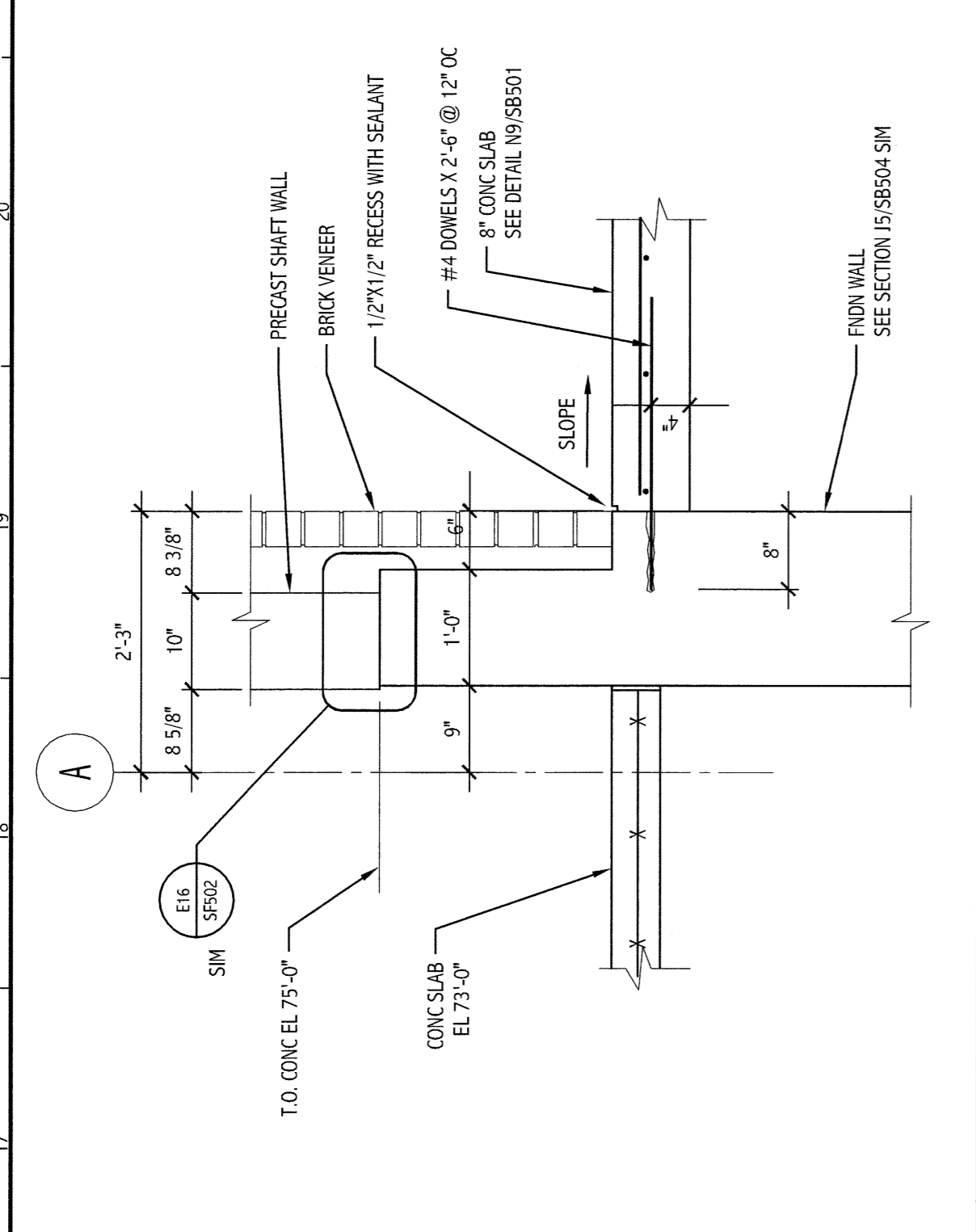
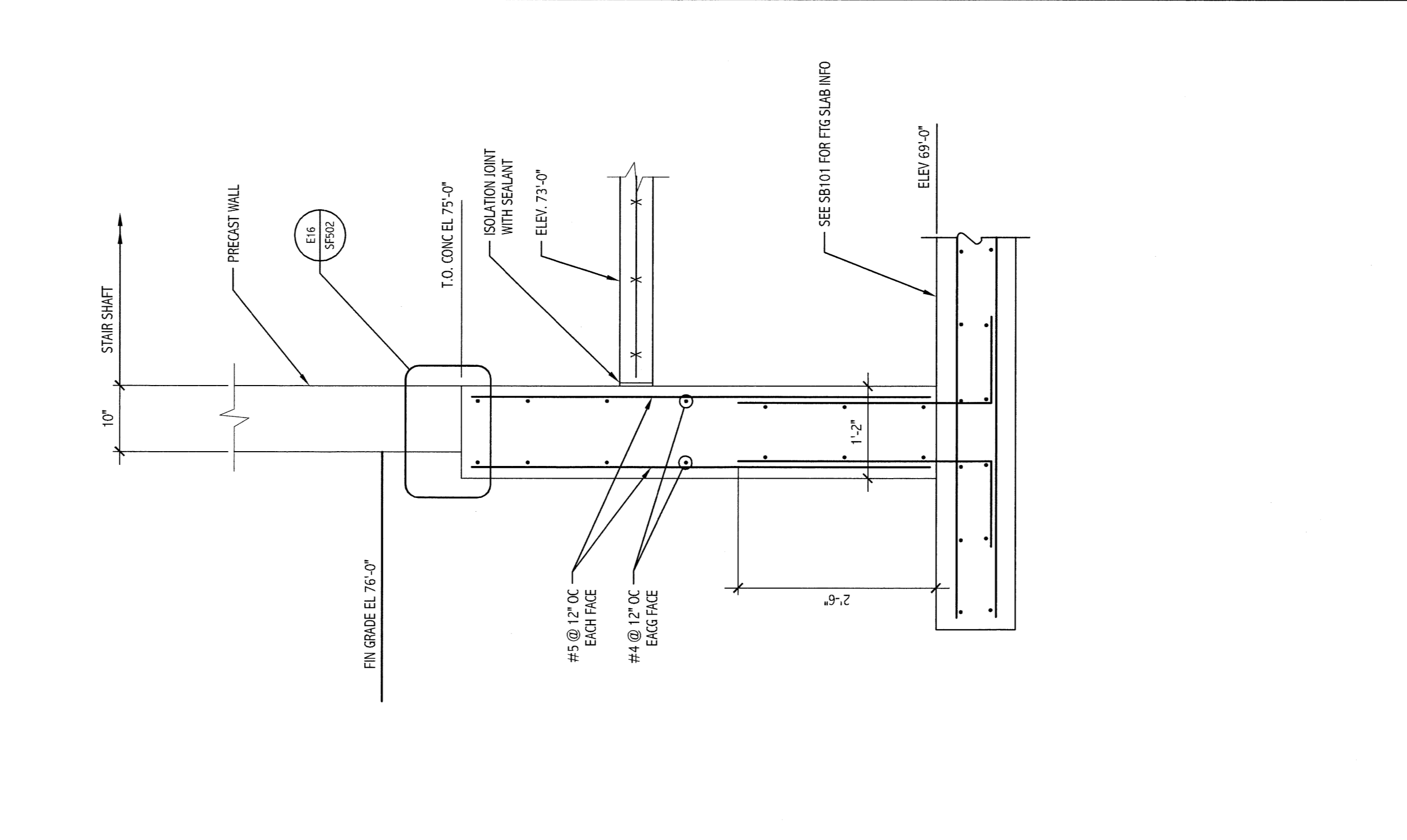


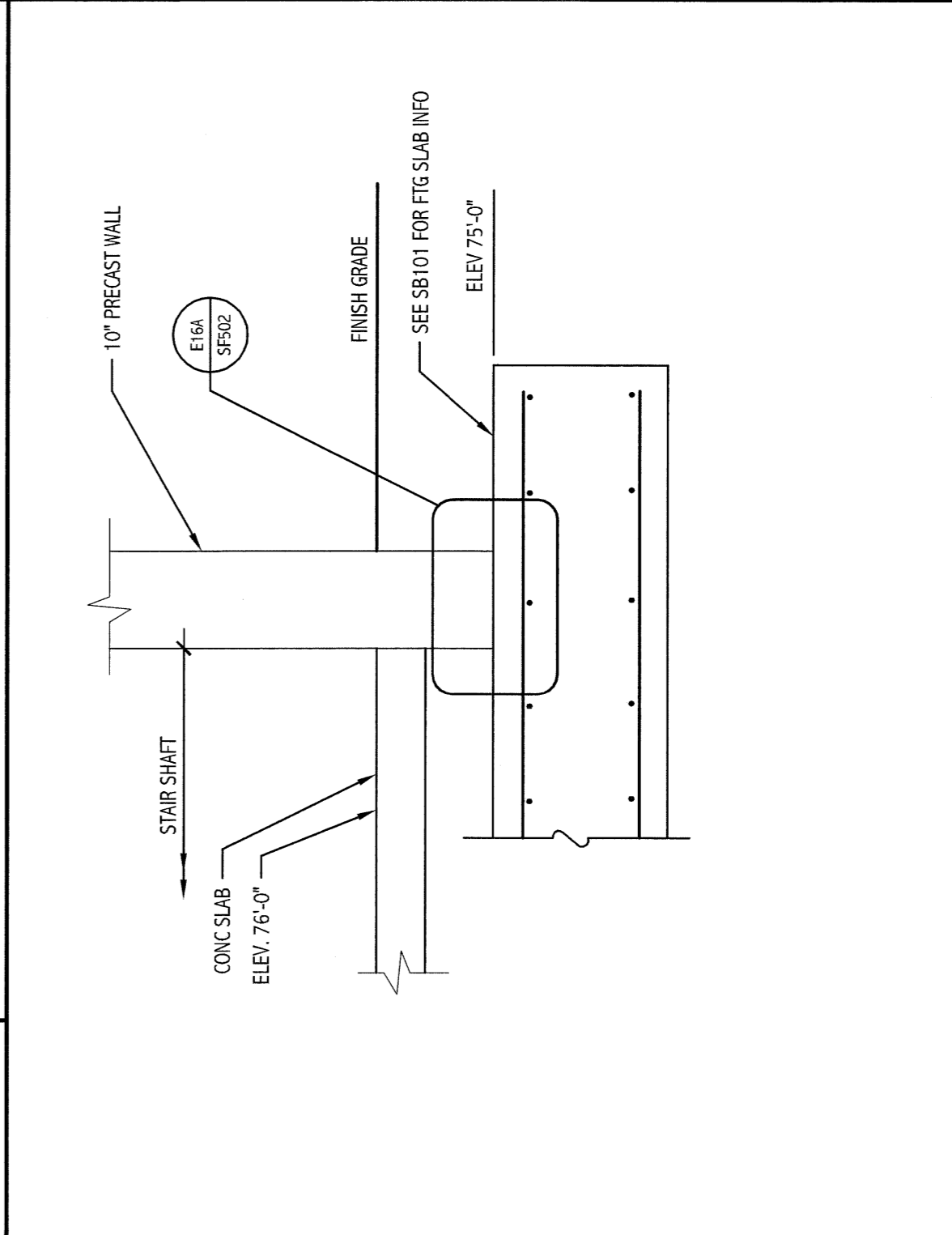
GENERAL NOTES:
1. SEE G.M.P. FOR PROJECT GENERAL NOTES.



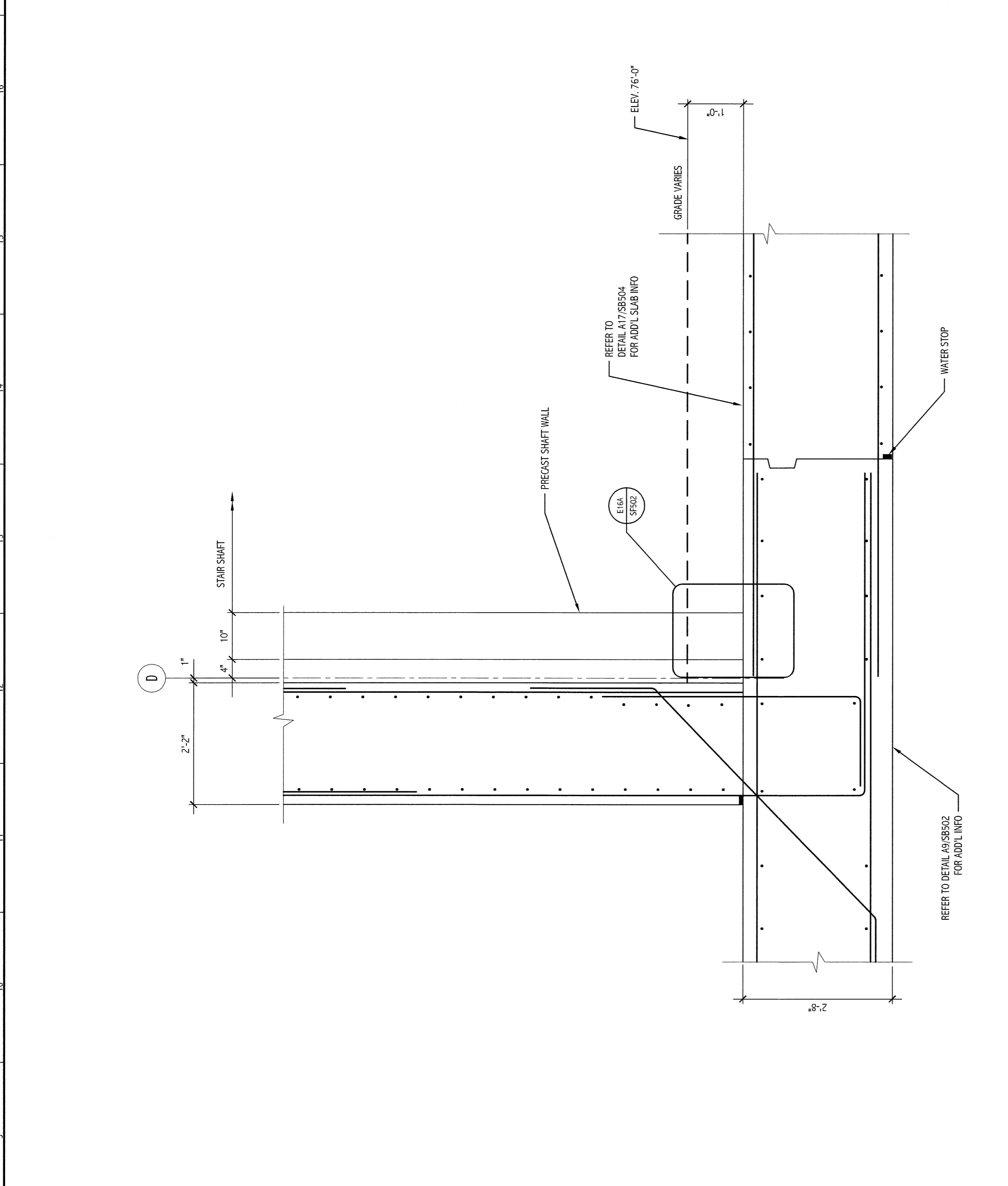
N17 SECTION
3/4"=1'-0"



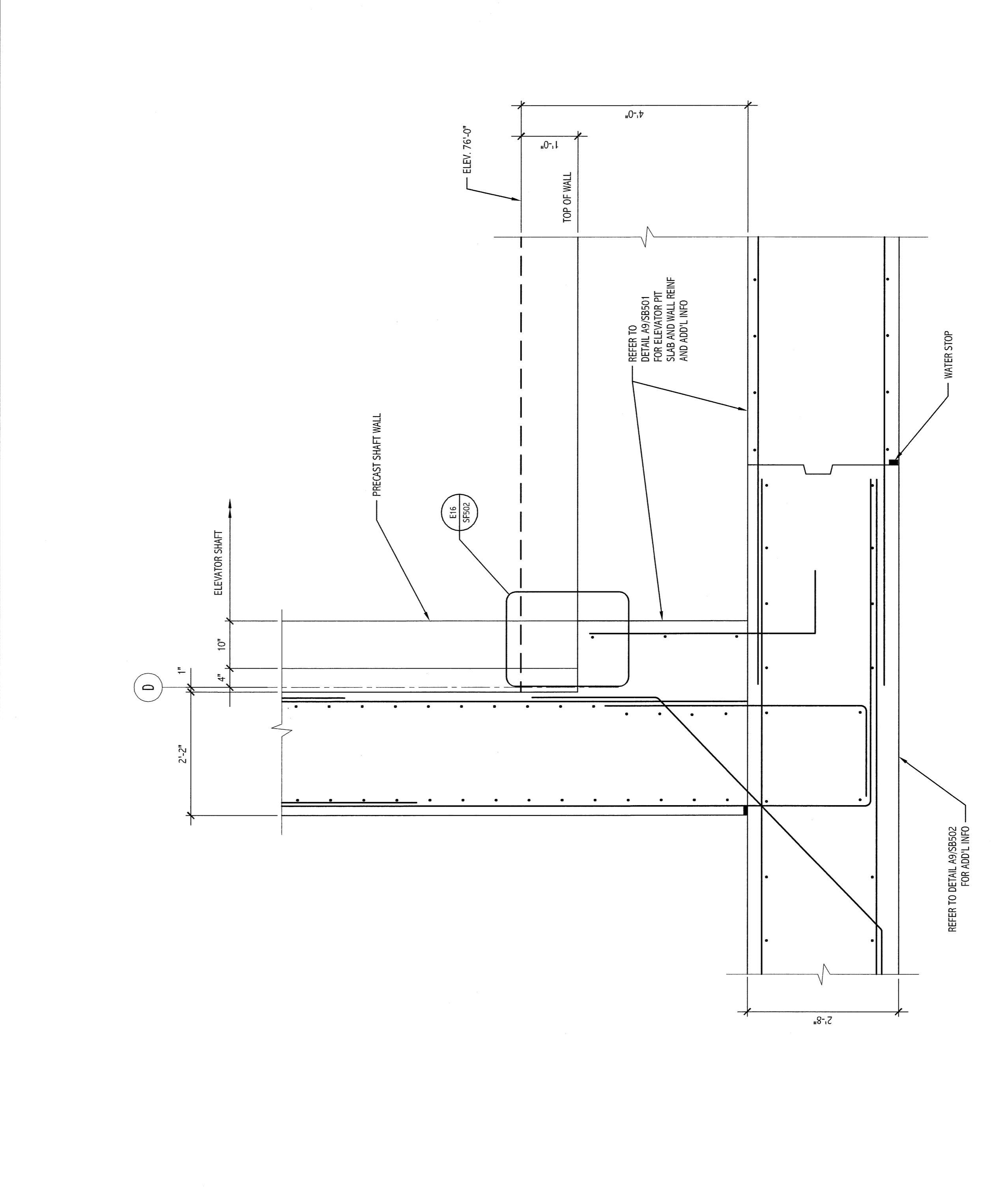
E17 SECTION
3/4"=1'-0"



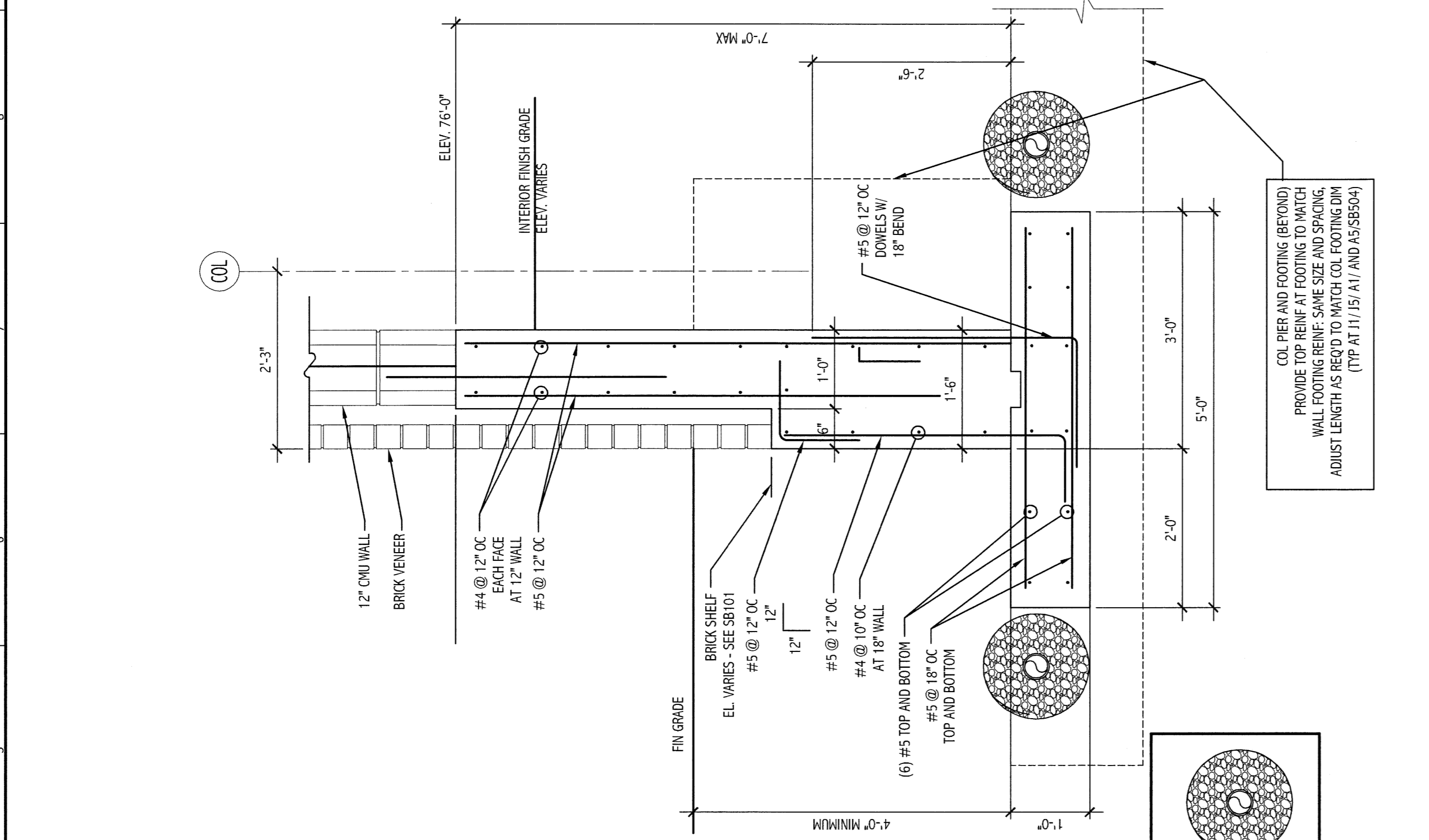
A17 SECTION
3/4"=1'-0"



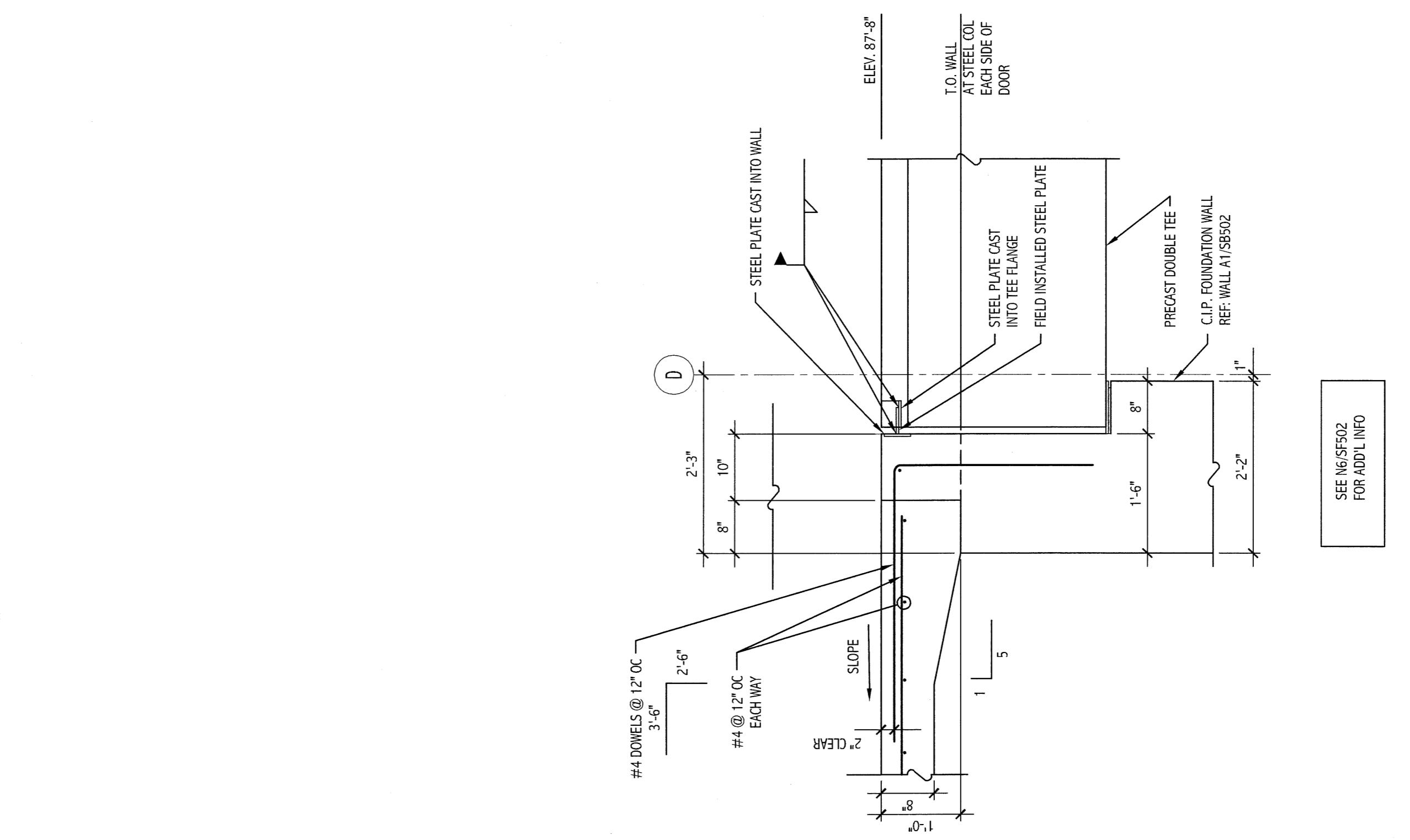
J9 SECTION AT STAIR SHAFT
3/4"=1'-0"



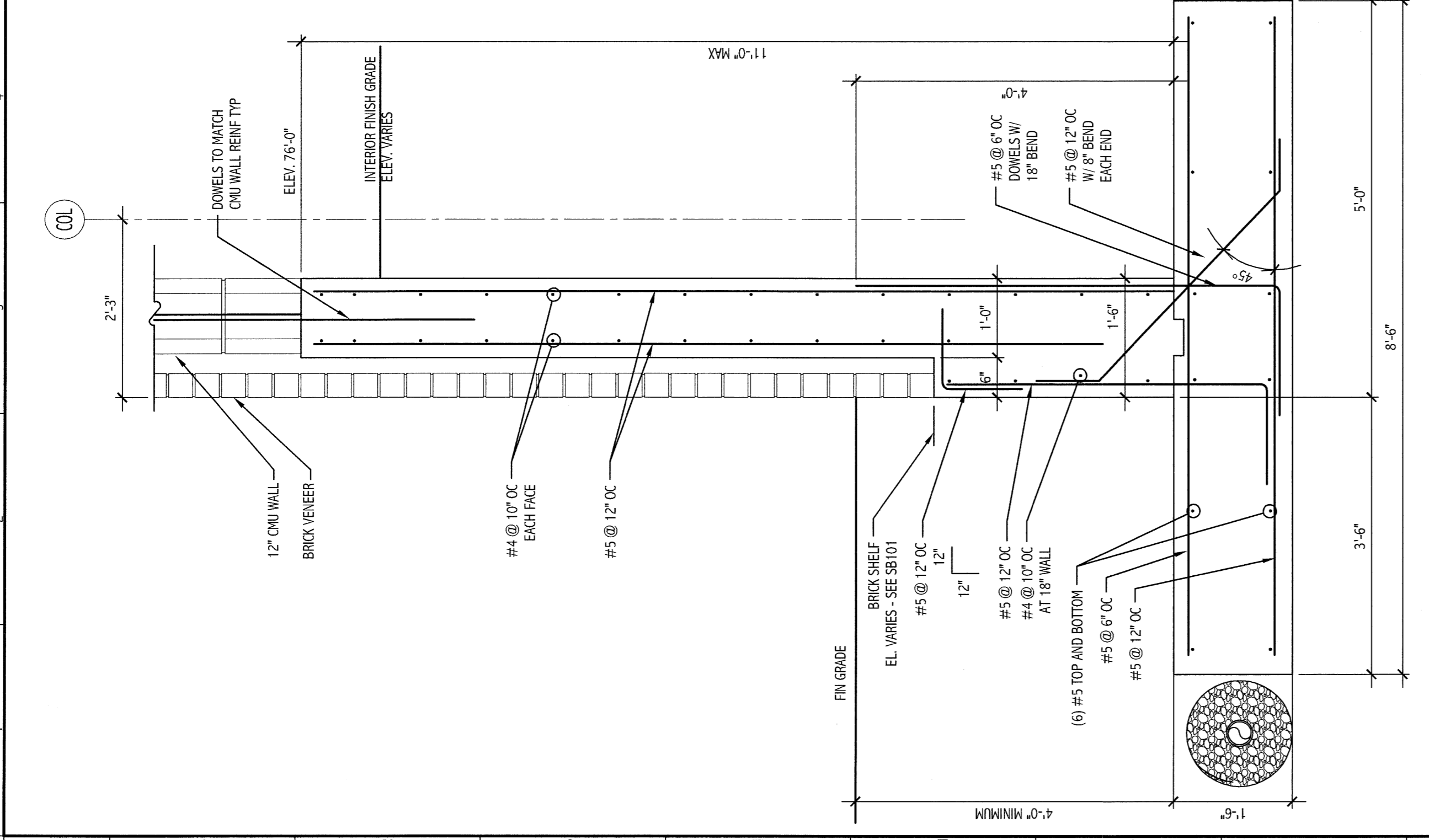
A9 SECTION AT ELEVATOR PIT
3/4"=1'-0"



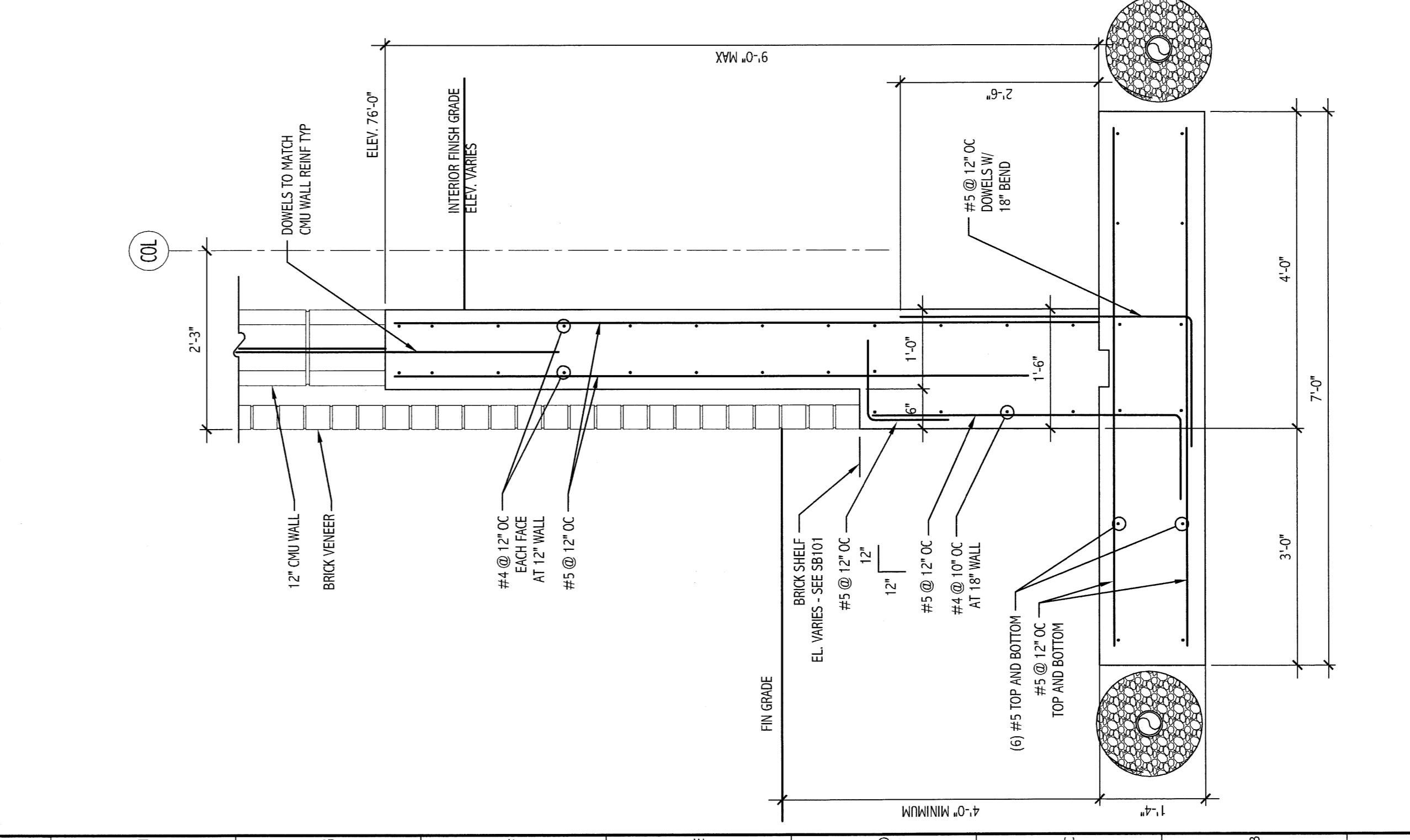
J5 WALL SECTION
3/4"=1'-0"



A5 WALL SECTION
3/4"=1'-0"



J1 WALL SECTION
3/4"=1'-0"



A1 WALL SECTION
3/4"=1'-0"

ISSUED FOR G.M.P. & PERMITTING
4-3-09

SMRTI ARCHITECTURE
ENGINEERING
PLANNING
INTERIOR DESIGN
COMMISSIONING

MARTIN'S POINT HEALTH CARE
MEDICAL OFFICE BUILDING
PORTLAND, MAINE

FOUNDATION
SECTIONS AND DETAILS

PROJECT NUMBER: SB501
JOB CONTROL NUMBER: SB501-08139
DATE OF RECORD: 08/13/09
SHEET NO.: SB501

AS NOTED DATE: 08/13/09
SCALE: 3/4"=1'-0"
GRAPHIC SCALE: 0' 1'

PROJECT NO.: SB501

PROGRESS PRINT