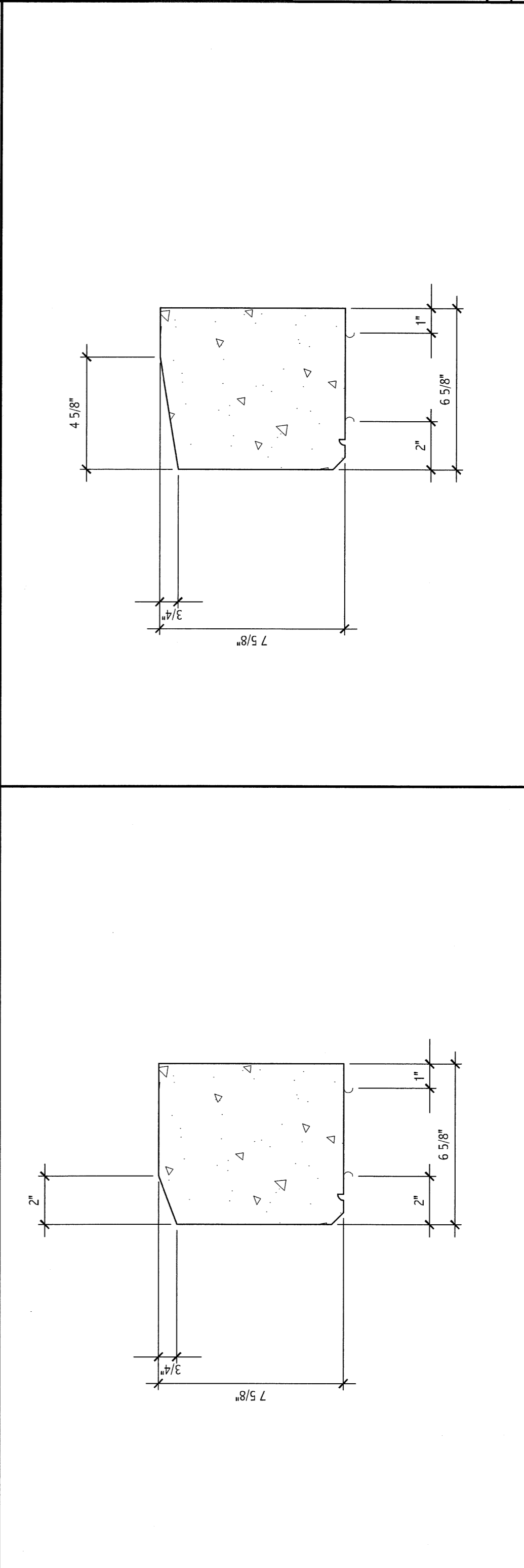
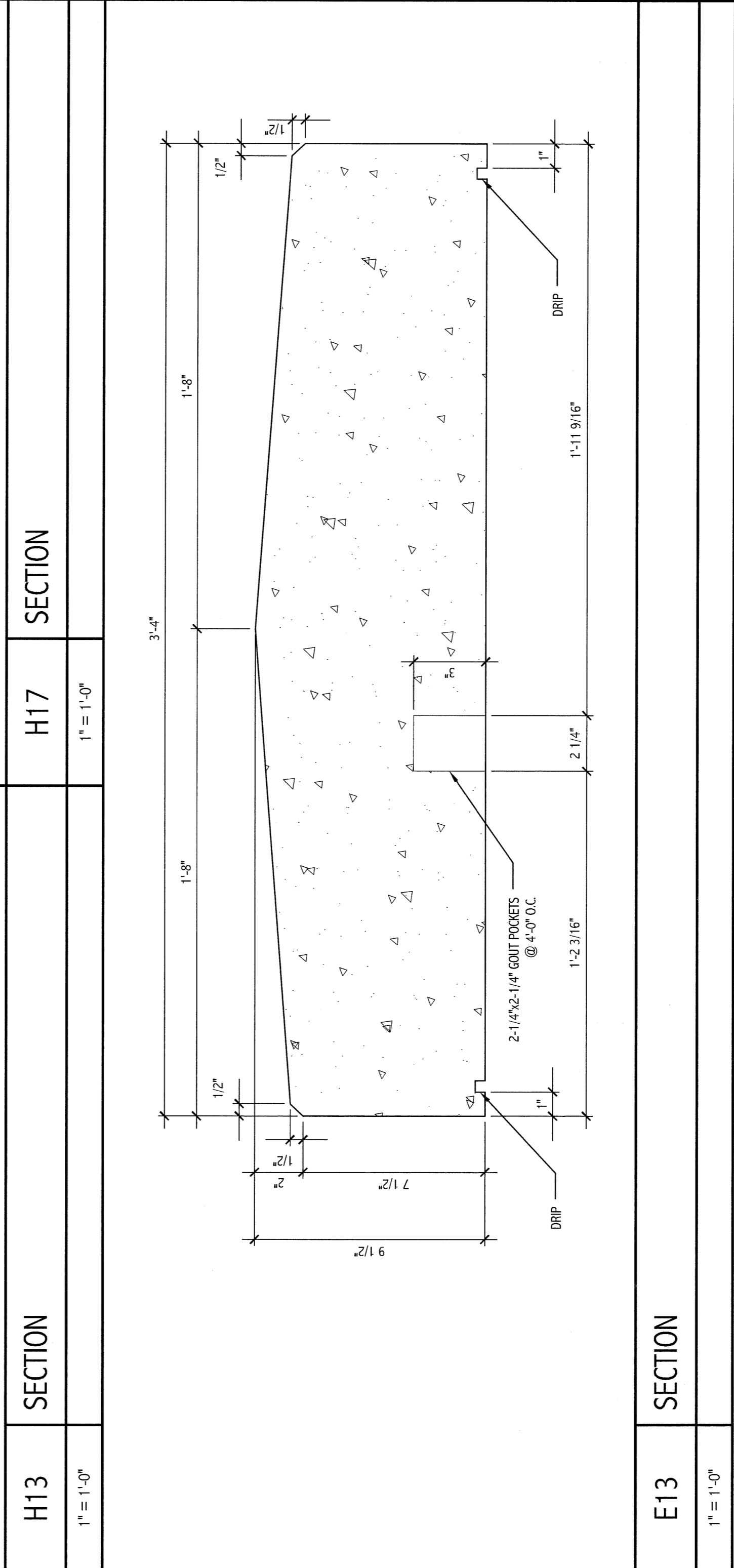
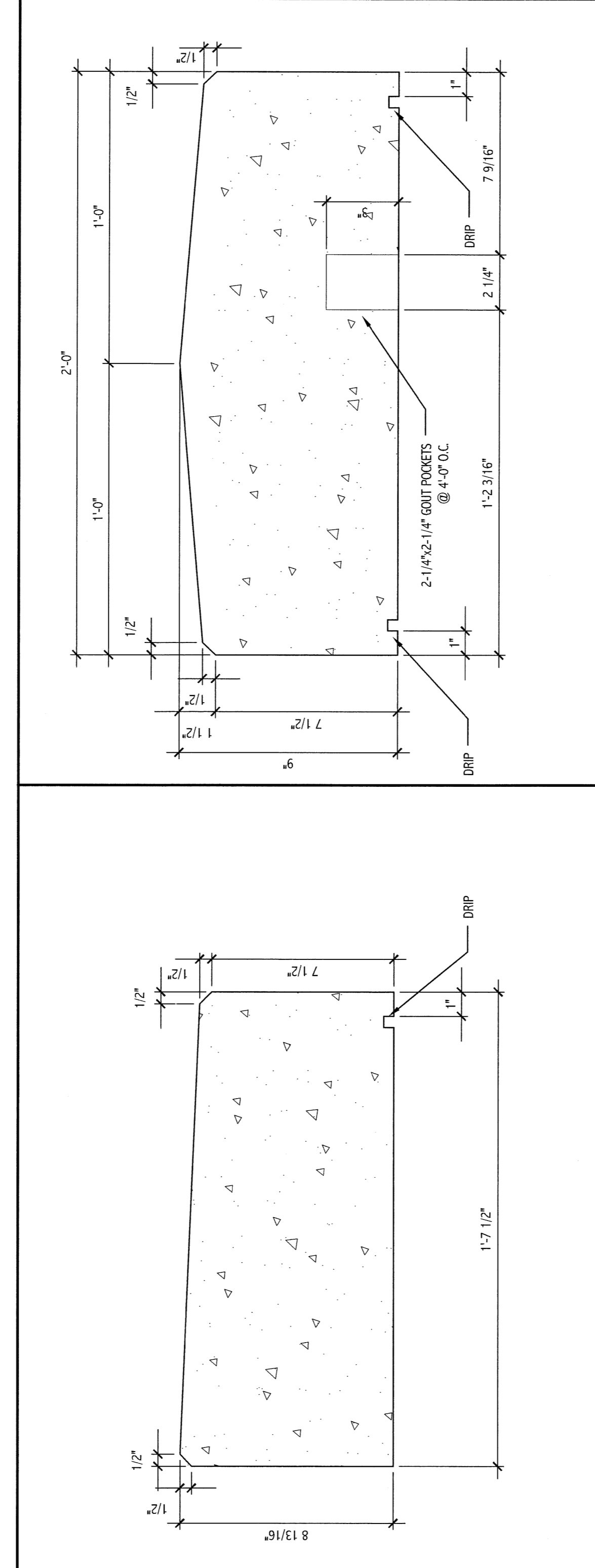
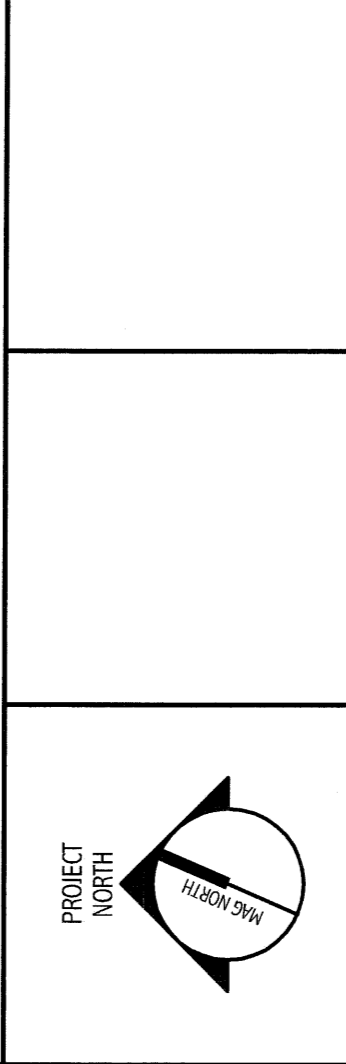


GENERAL NOTES:
1. SEE 0001 FOR PROJECT GENERAL NOTES.



REV.	DESCRIPTION	DATE

ISSUED FOR G.M.P. & PERMITTING
4-3-09



144 Elm Street, Box 618
Portland, Maine 04104
Tel: (207) 772-2366
Fax: (207) 772-2367
www.smrti.com

SMRTI
ARCHITECTURE
ENGINEERING
PLANNING
INTERIOR DESIGN
COMMISSIONING

MARTIN'S POINT HEALTH CARE
MEDICAL OFFICE BUILDING
PORTLAND, MAINE

ARCHITECTURAL PRECAST
CONCRETE DETAILS

SCALE	AS NOTED	DATE	GRAPHIC SCALE
PROJECT MANAGER	TOP/LOC	SUB	GRAPHIC SCALE
DATE OF RECORD	SUB	SHEET No.	
DATE OF FILE	AE572-03	08/23	AE572
PROJECT No.	08/23		

PROJECT No. 08/23

SHEET No. AE572

SECTION A17

SECTION A13

SECTION E17

SECTION E13

SECTION H17

SECTION H13

SECTION A17

SECTION A13

SECTION E17

SECTION E13

SECTION H17

SECTION H13

SECTION A17

SECTION A13

SECTION E17

SECTION E13

SECTION H17

SECTION H13

SECTION A17

SECTION A13

SECTION E17

SECTION E13

SECTION H17

SECTION H13

SECTION A17

SECTION A13

SECTION E17

SECTION E13

SECTION H17

SECTION H13

SECTION A17

SECTION A13

SECTION E17

SECTION E13

SECTION H17

SECTION H13

SECTION A17

SECTION A13

SECTION E17

SECTION E13

SECTION H17

SECTION H13

SECTION A17

SECTION A13

SECTION E17

SECTION E13

SECTION H17

SECTION H13

SECTION A17

SECTION A13

SECTION E17

SECTION E13

SECTION H17

SECTION H13

SECTION A17

SECTION A13

SECTION E17

SECTION E13

SECTION H17

SECTION H13

SECTION A17

SECTION A13

SECTION E17

SECTION E13

SECTION H17

SECTION H13

SECTION A17

SECTION A13

SECTION E17

SECTION E13

SECTION H17

SECTION H13

SECTION A17

SECTION A13

SECTION E17

SECTION E13

SECTION H17

SECTION H13

SECTION A17

SECTION A13

SECTION E17

SECTION E13

SECTION H17

SECTION H13

SECTION A17

SECTION A13

SECTION E17

SECTION E13

SECTION H17

SECTION H13

SECTION A17

SECTION A13

SECTION E17

SECTION E13

SECTION H17

SECTION H13

SECTION A17

SECTION A13

SECTION E17

SECTION E13

SECTION H17

SECTION H13

SECTION A17

SECTION A13

SECTION E17

SECTION E13

SECTION H17

SECTION H13

SECTION A17

SECTION A13

SECTION E17

SECTION E13

SECTION H17

SECTION H13

SECTION A17

SECTION A13

SECTION E17

SECTION E13

SECTION H17

SECTION H13

SECTION A17

SECTION A13

SECTION E17

SECTION E13

SECTION H17

SECTION H13

SECTION A17

SECTION A13

SECTION E17

SECTION E13

SECTION H17

SECTION H13

SECTION A17

SECTION A13

SECTION E17

SECTION E13

SECTION H17

SECTION H13

SECTION A17

SECTION A13

SECTION E17

SECTION E13

SECTION H17

SECTION H13

SECTION A17

SECTION A13

SECTION E17

SECTION E13

SECTION H17

SECTION H13

SECTION A17

SECTION A13

SECTION E17

SECTION E13

SECTION H17

SECTION H13

SECTION A17

SECTION A13

SECTION E17

SECTION E13

SECTION H17

SECTION H13

SECTION A17

SECTION A13

SECTION E17

SECTION E13

SECTION H17

SECTION H13

SECTION A17

SECTION A13

SECTION E17

SECTION E13

SECTION H17

SECTION H13

SECTION A17

SECTION A13

SECTION E17

SECTION E13

SECTION H17

SECTION H13

SECTION A17

SECTION A13

SECTION E17

SECTION E13

SECTION H17

SECTION H13

SECTION A17

SECTION A13

SECTION E17

SECTION E13

SECTION H17

SECTION H13

SECTION A17

SECTION A13

SECTION E17

SECTION E13

SECTION H17

SECTION H13

SECTION A17

SECTION A13

SECTION E17

SECTION E13

SECTION H17

SECTION H13

SECTION A17

SECTION A13

SECTION E17

SECTION E13

SECTION H17

SECTION H13

SECTION A17

SECTION A13

SECTION E17

SECTION E13

SECTION H17

SECTION H13

SECTION A17

SECTION A13

SECTION E17

SECTION E13

SECTION H17

SECTION H13

SECTION A17

SECTION A13

SECTION E17

SECTION E13

SECTION H17

SECTION H13

SECTION A17

SECTION A13

SECTION E17

SECTION E13

SECTION H17

SECTION H13

SECTION A17

SECTION A13

SECTION E17

SECTION E13

SECTION H17

SECTION H13

SECTION A17

SECTION A13

SECTION E17

SECTION E13

SECTION H17

SECTION H13

SECTION A17

SECTION A13

SECTION E17

SECTION E13

SECTION H17

SECTION H13

SECTION A17

SECTION A13

SECTION E17

SECTION E13

SECTION H17

SECTION H13

SECTION A17

SECTION A13

SECTION E17

SECTION E13

SECTION H17

SECTION H13

SECTION A17

SECTION A13