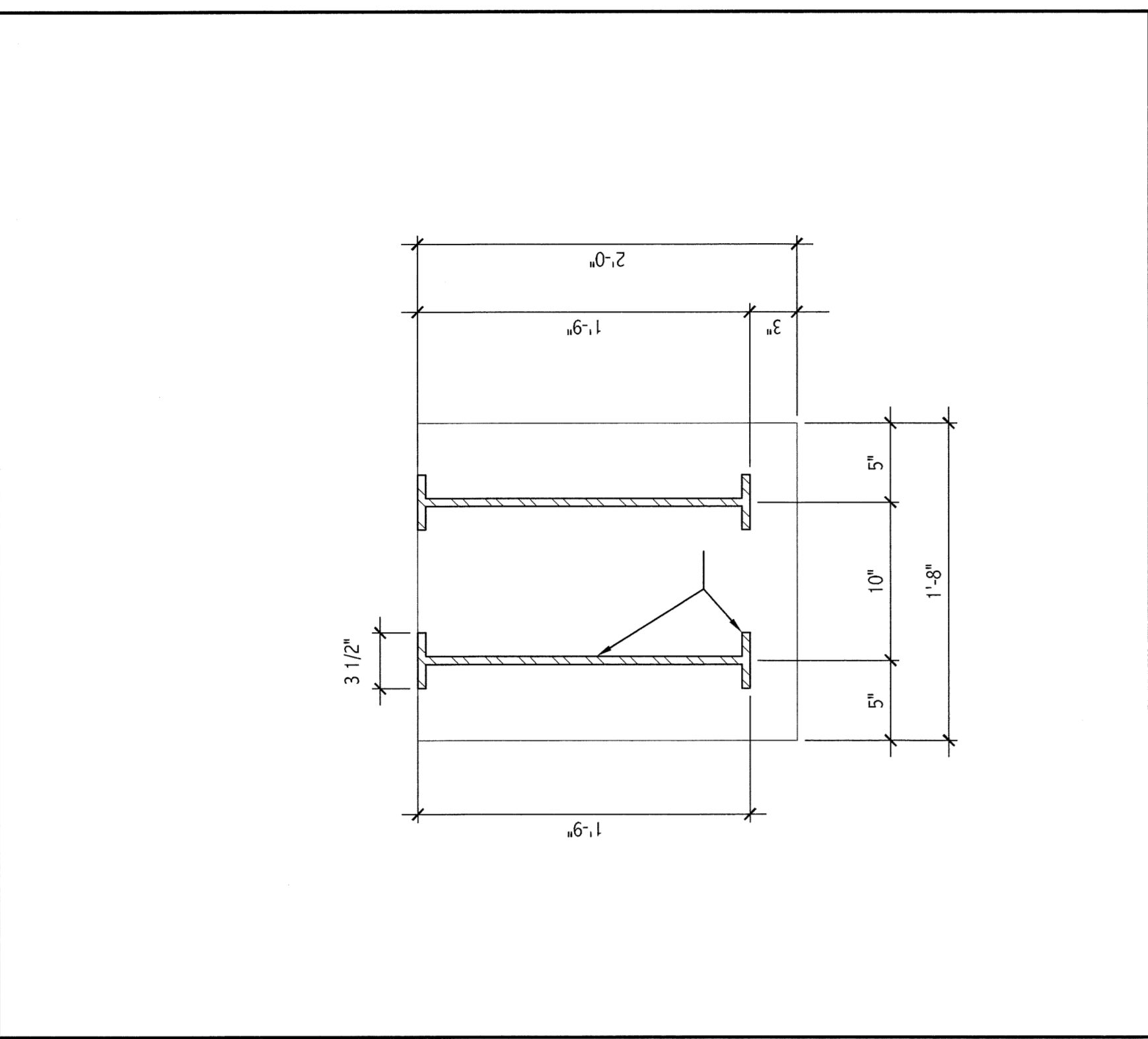
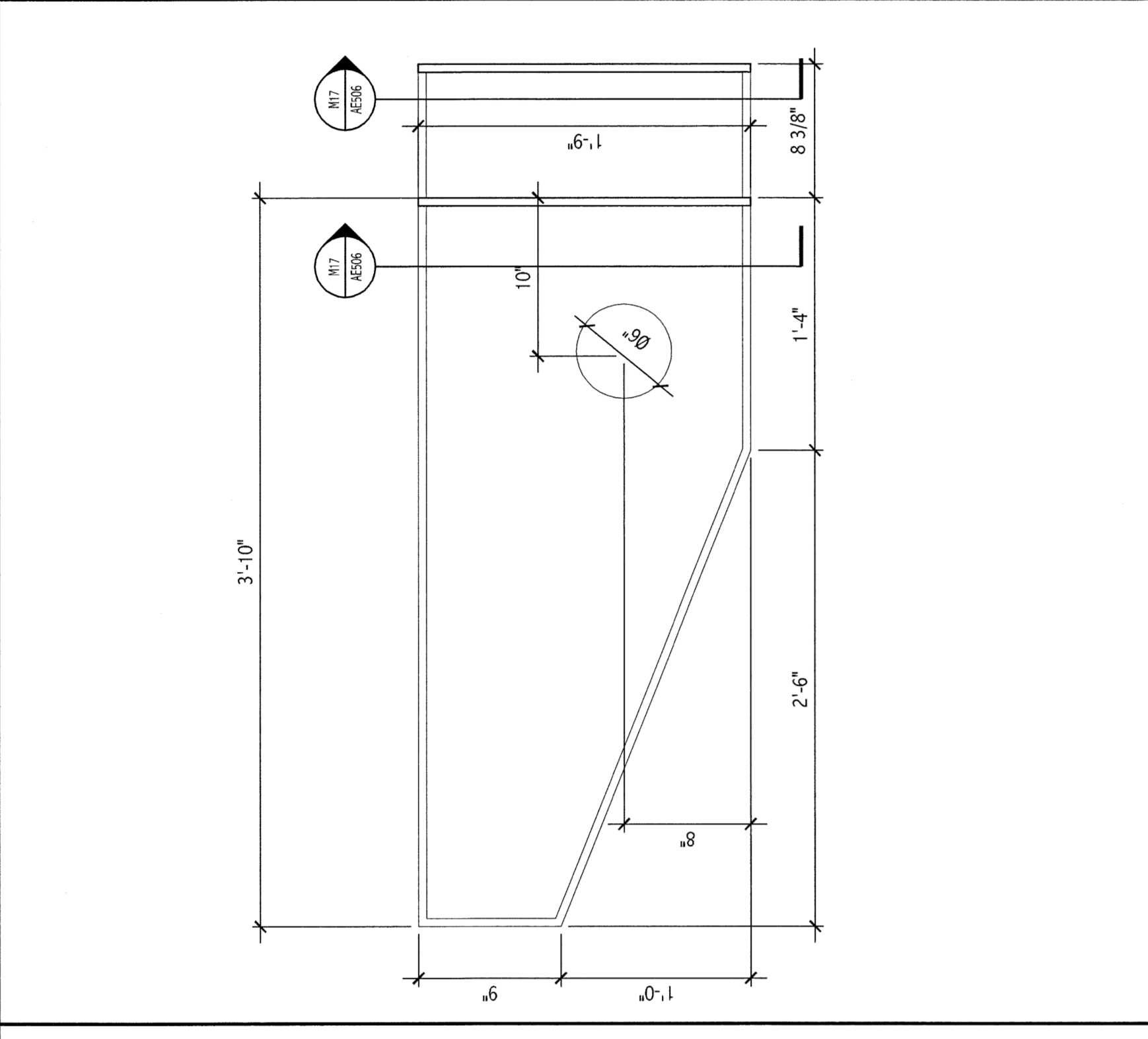


GENERAL NOTES:  
1. SEE GDD FOR PROJECT GENERAL NOTES.



M17  
SECTION DETAIL  
1/12" = 1'-0"



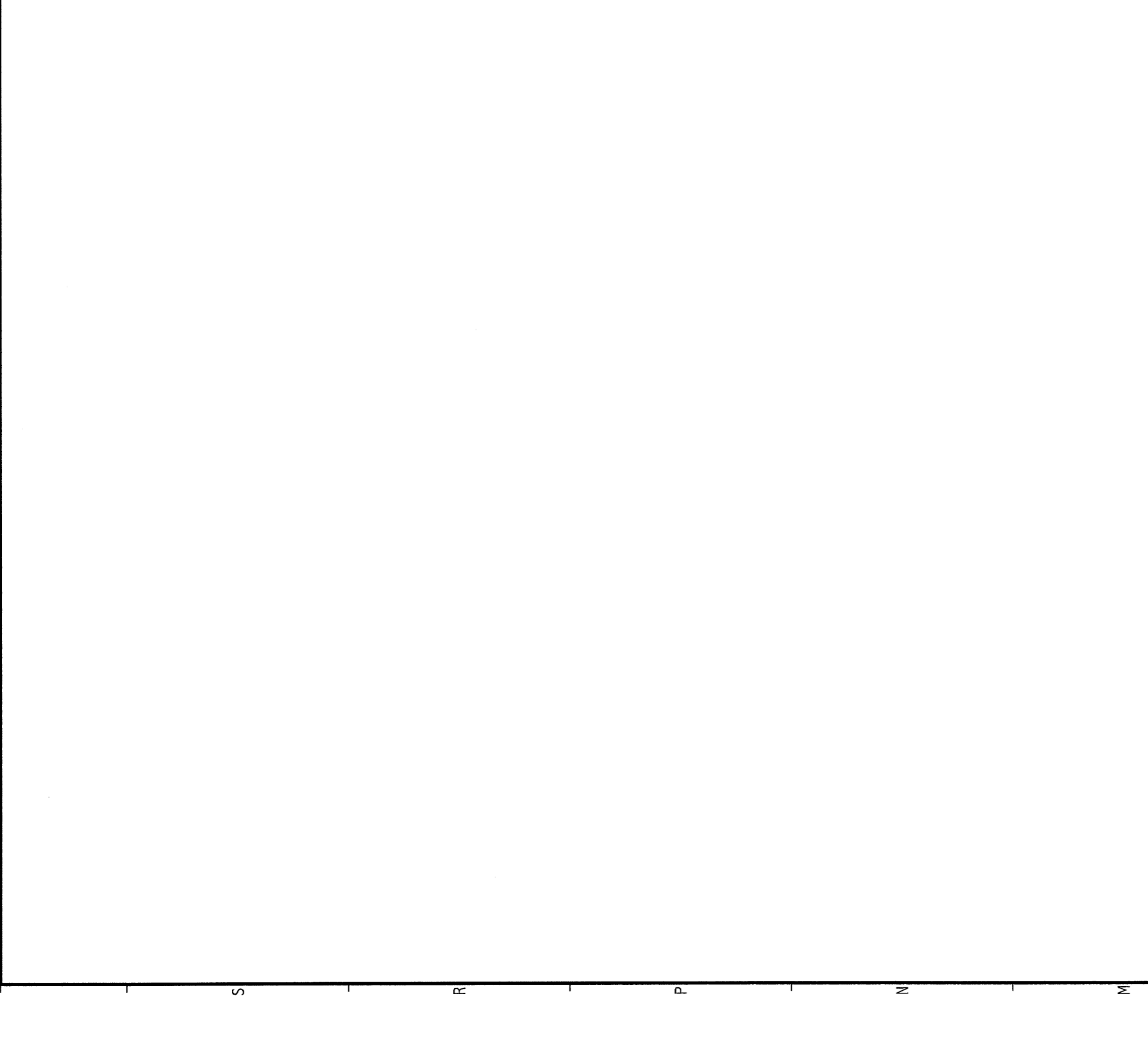
M13  
SECTION DETAIL  
1/12" = 1'-0"



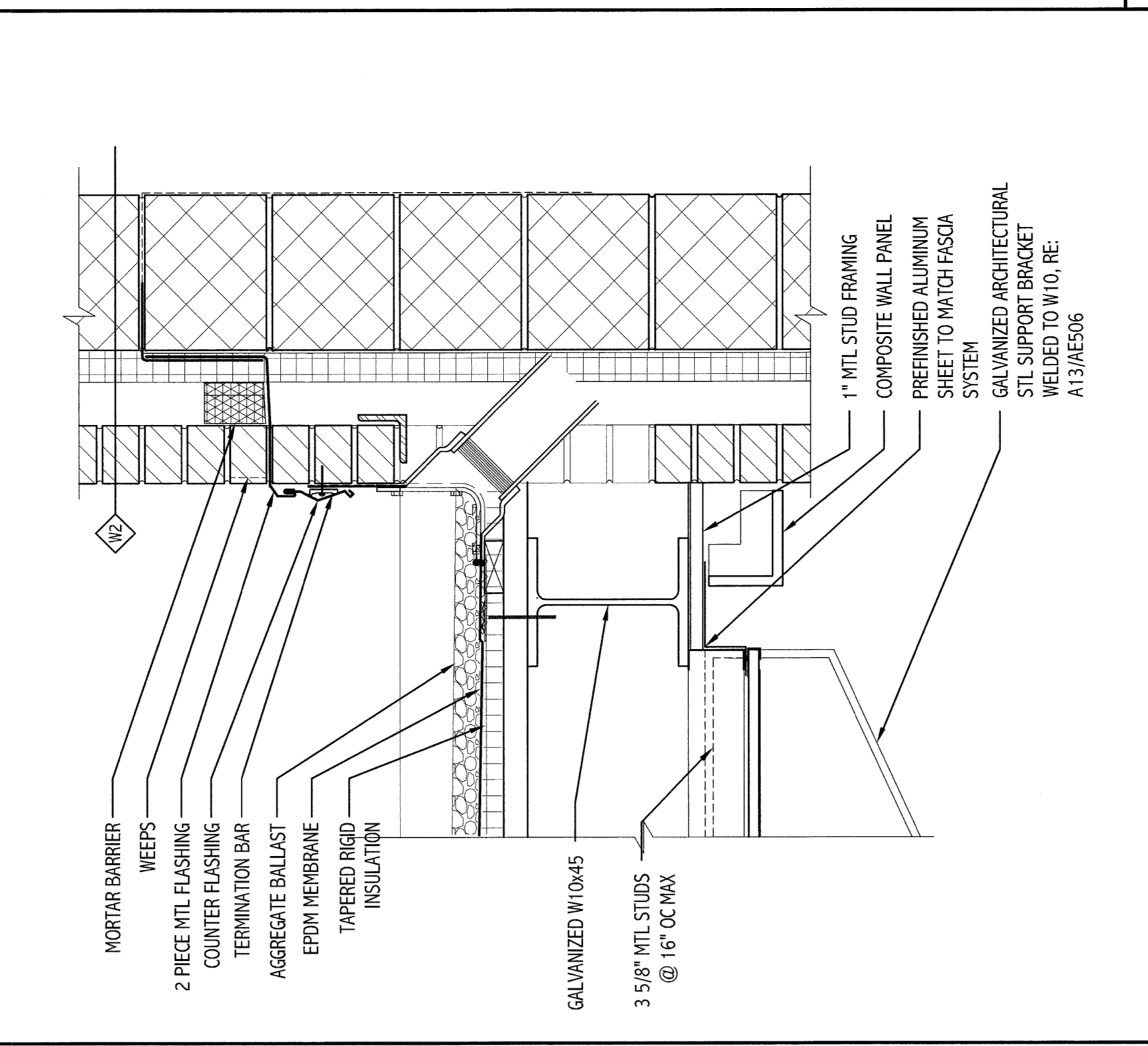
F13  
SECTION DETAIL  
1/12" = 1'-0"



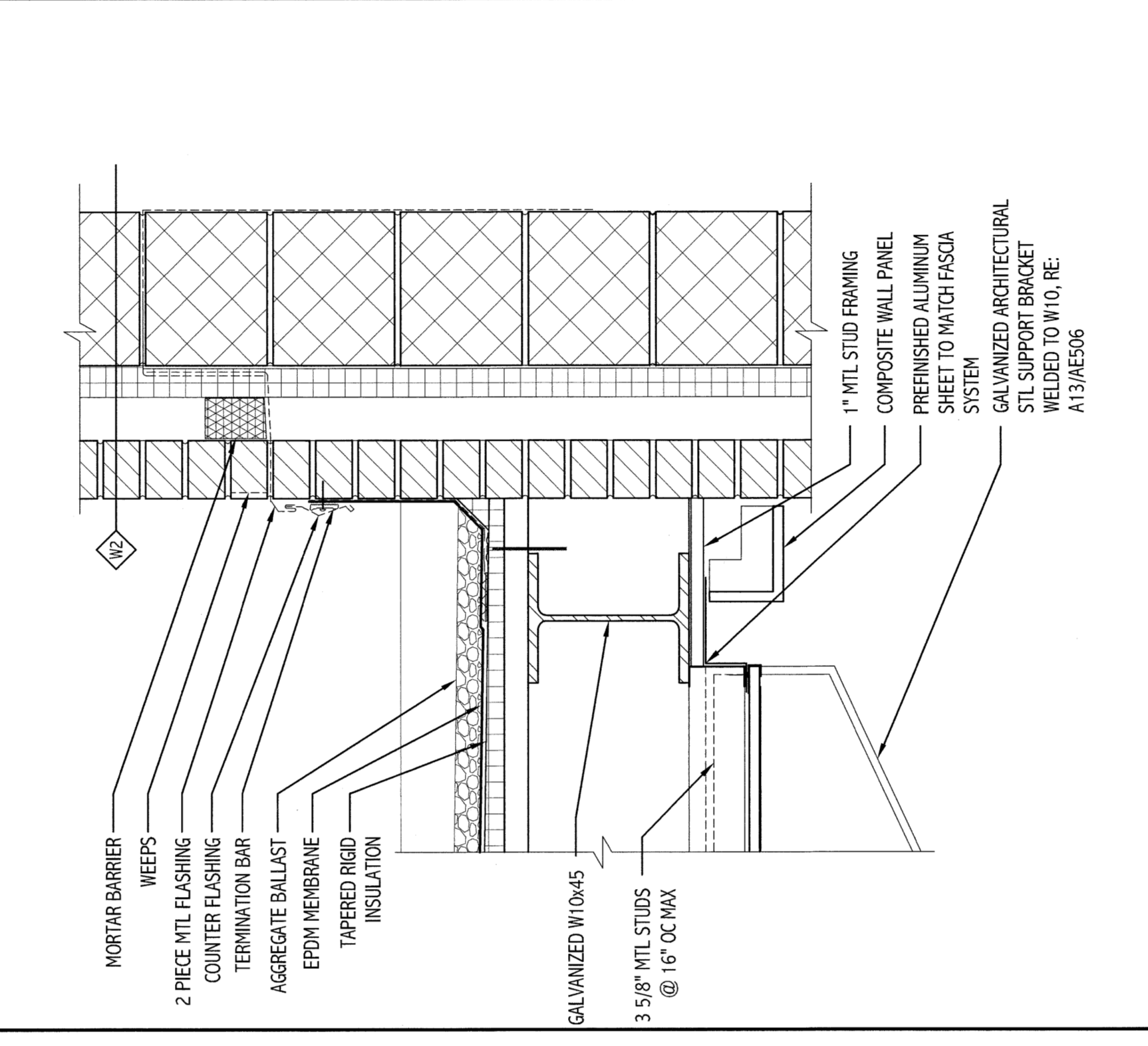
F9  
SECTION DETAIL  
1/12" = 1'-0"



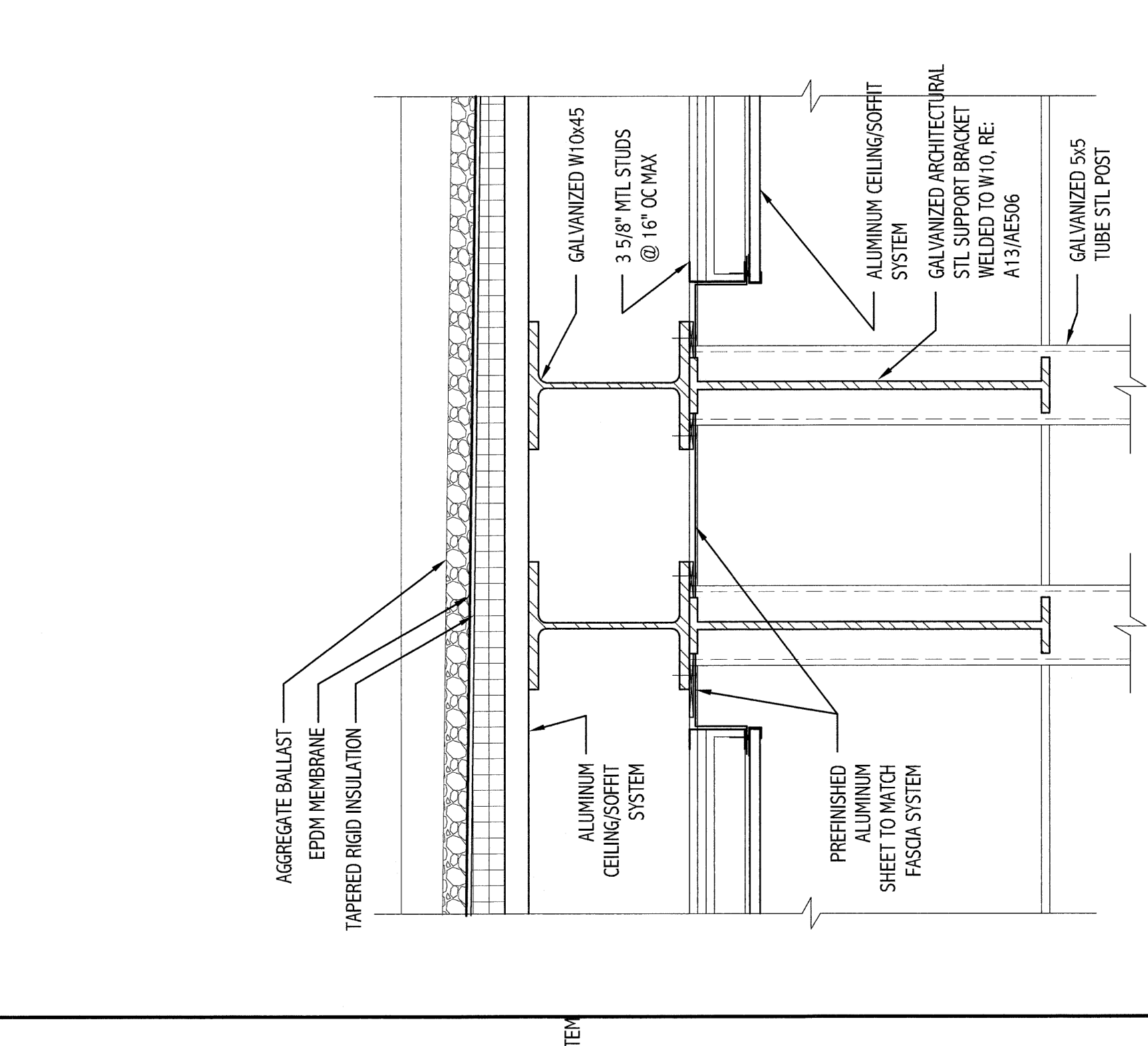
F5  
SECTION DETAIL  
1/12" = 1'-0"



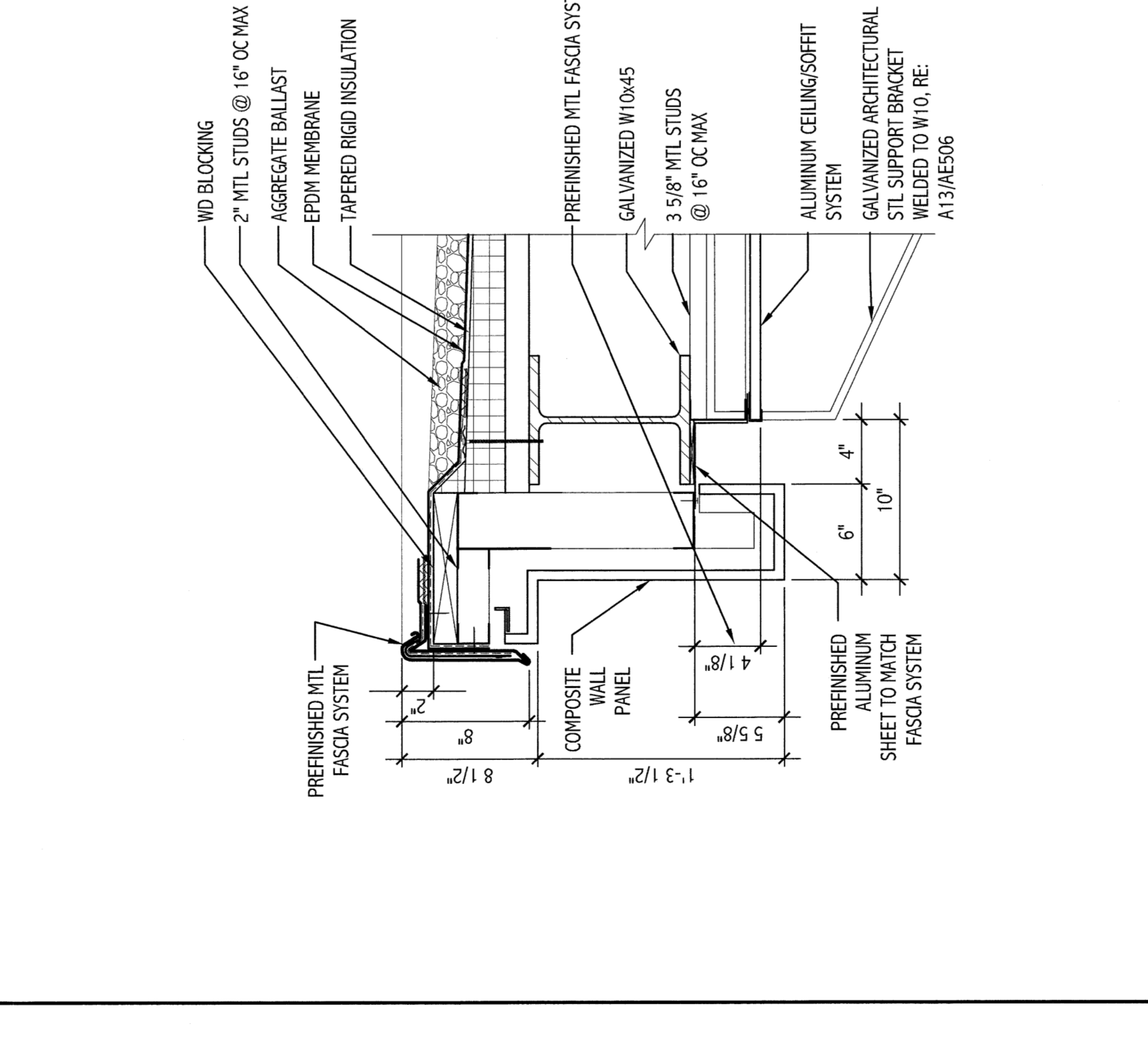
F17  
SECTION DETAIL  
1/12" = 1'-0"



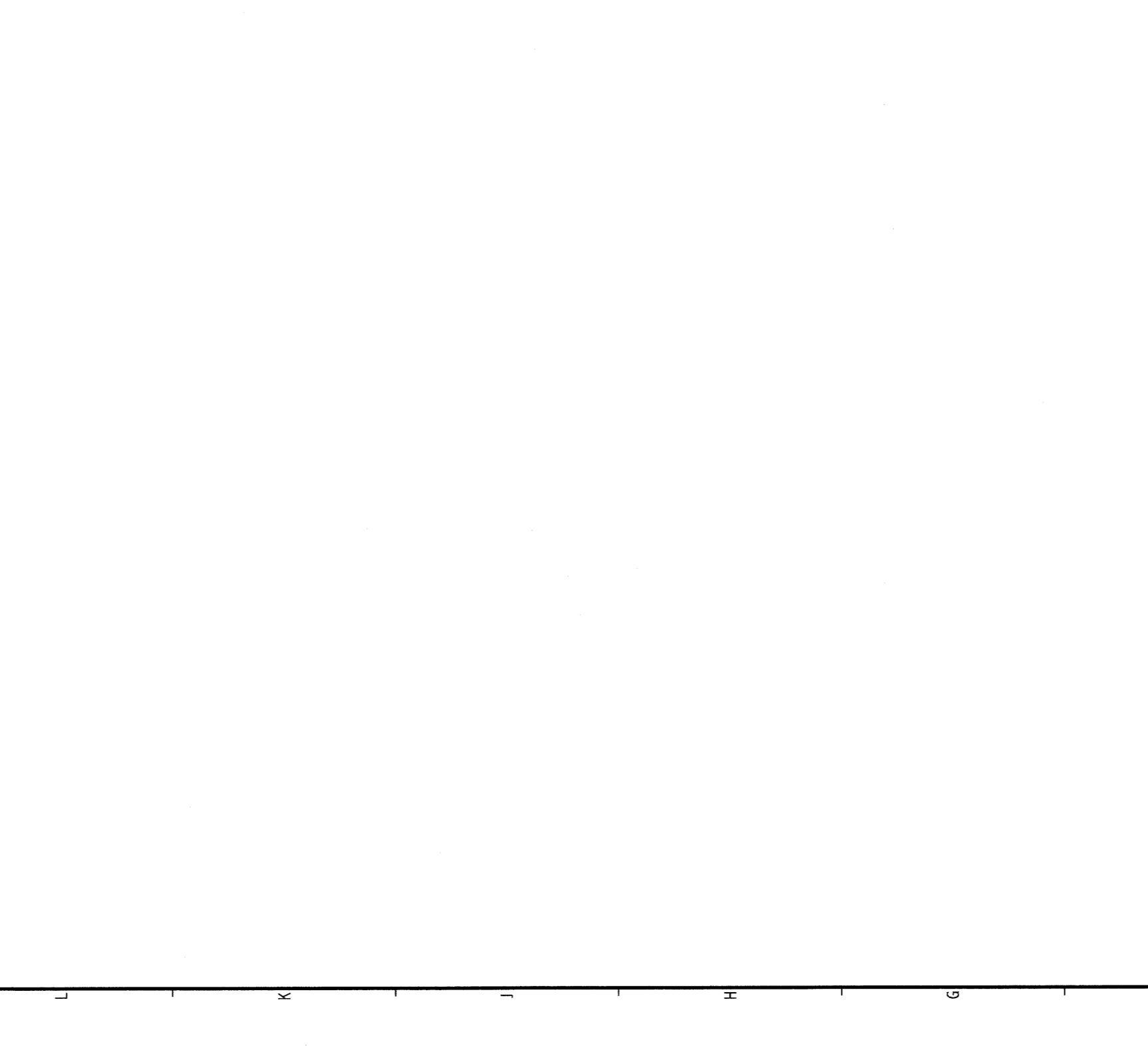
A13  
SECTION DETAIL  
1/12" = 1'-0"



A9  
SECTION DETAIL  
1/12" = 1'-0"



A5  
SECTION DETAIL  
1/12" = 1'-0"



A11  
SECTION DETAIL  
1/12" = 1'-0"

F17  
SECTION DETAIL  
1/12" = 1'-0"

A13  
SECTION DETAIL  
1/12" = 1'-0"

A9  
SECTION DETAIL  
1/12" = 1'-0"

A5  
SECTION DETAIL  
1/12" = 1'-0"

A11  
SECTION DETAIL  
1/12" = 1'-0"

ISSUED FOR G.M.P. & PERMITTING  
4-3-09

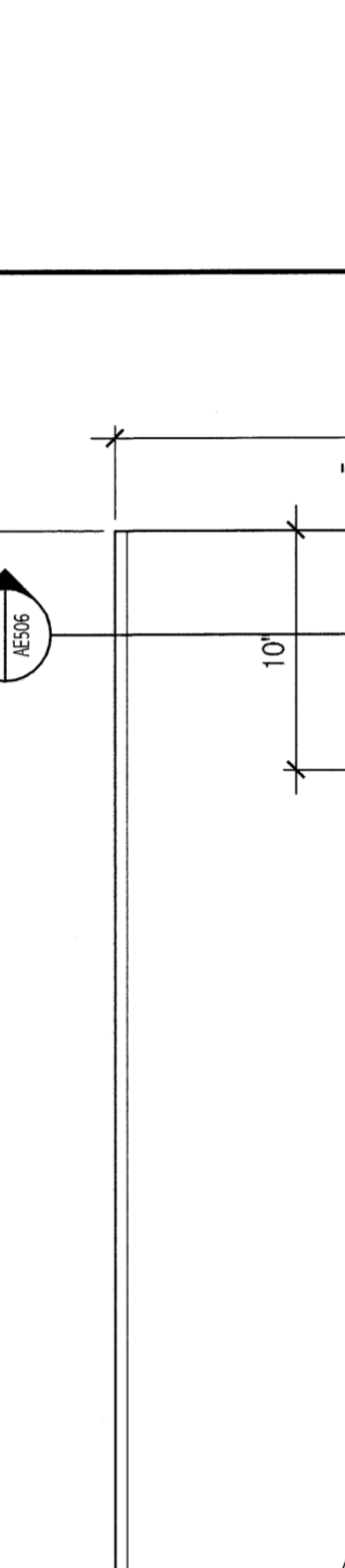
PROJECT MANAGER: [Name]  
DATE: [Date]

ARCHITECTURE  
ENGINEERING  
PLANNING  
INTERIOR DESIGN  
COMMISSIONING

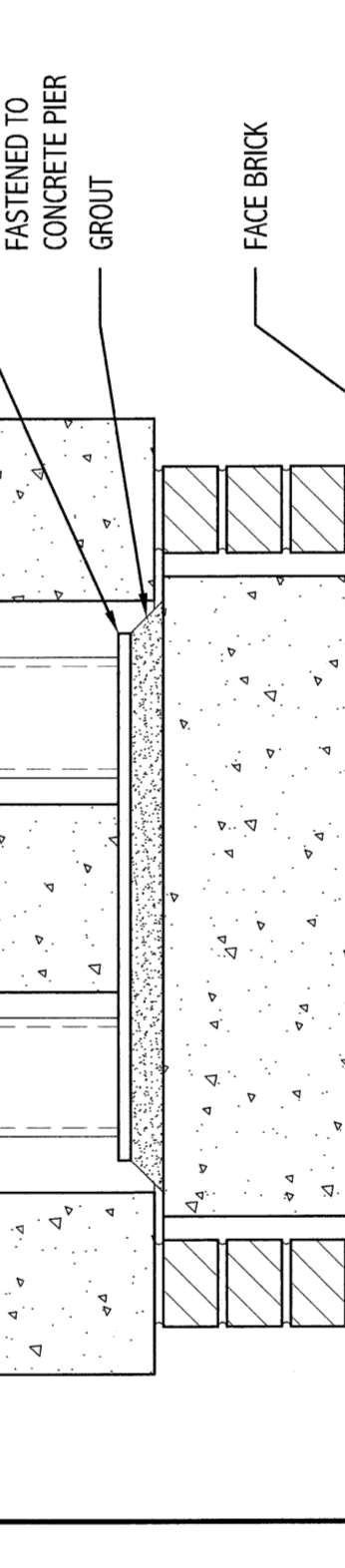
SMRTI  
MARTIN'S POINT HEALTH CARE  
MEDICAL OFFICE BUILDING  
PORTLAND, MAINE

SECTION DETAILS

SCALE: AS NOTED  
DATE: [Date]  
PROJECT MANAGER: [Name]  
DATE: [Date]  
FOR CONTRACT: [Name]  
DATE OF RECORD: [Date]  
SHEET NO.: AE506  
PROJECT NO.: 08139



A17  
SECTION DETAIL  
1/12" = 1'-0"



A15  
SECTION DETAIL  
1/12" = 1'-0"



A17  
SECTION DETAIL  
1/12" = 1'-0"



A17  
SECTION DETAIL  
1/12" = 1'-0"