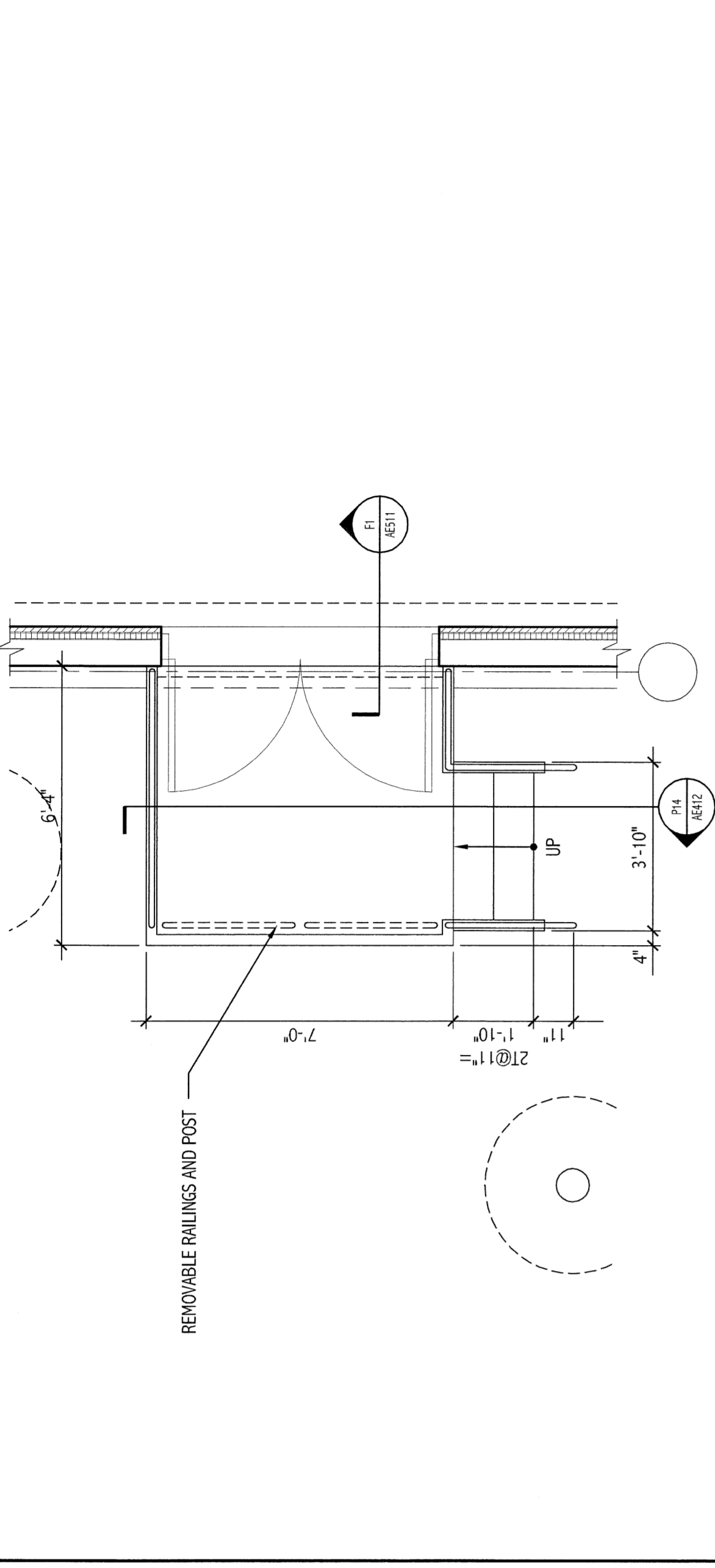


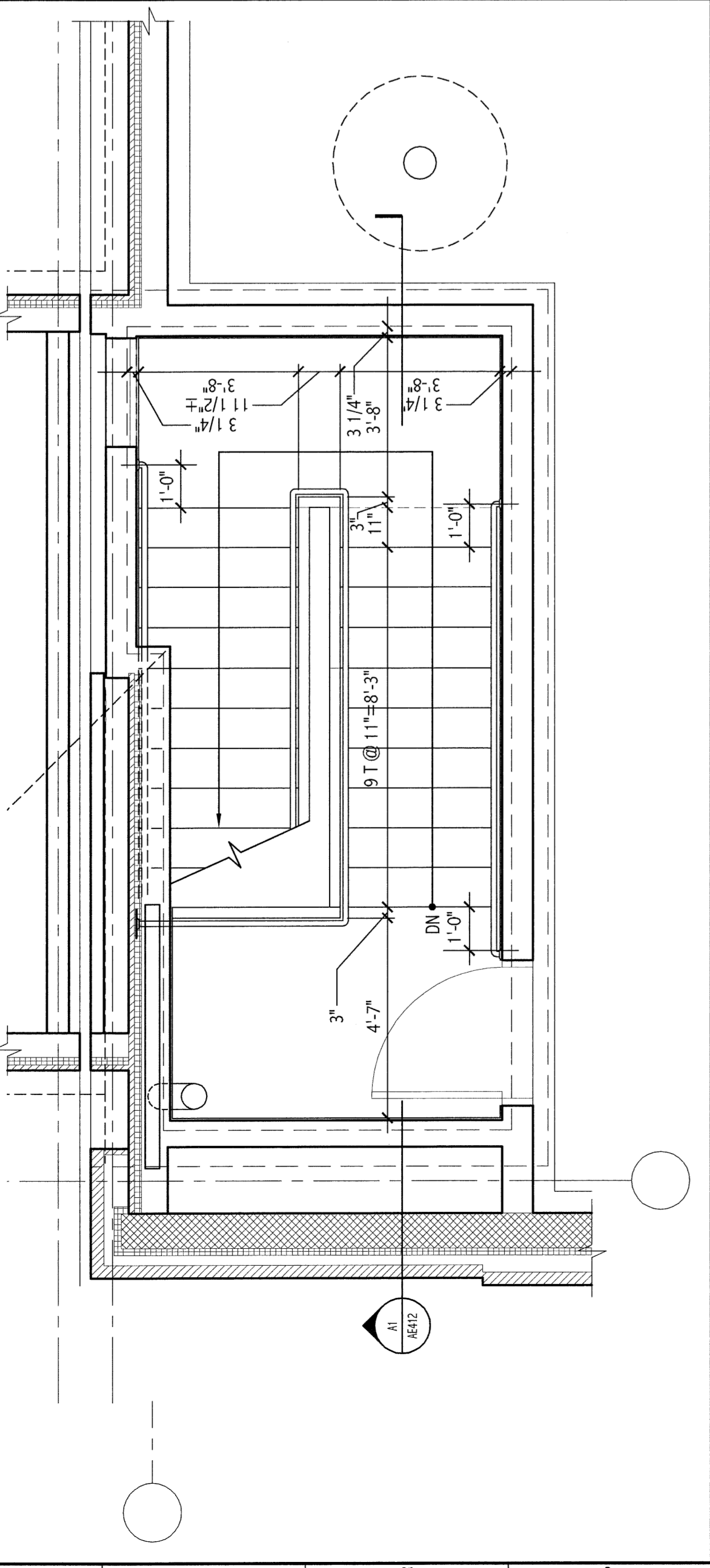
GENERAL NOTES:
 1. SEE CHART FOR PROJECT GENERAL NOTES.
 2. REFER TO AE113 FOR PARTITION TAGS.



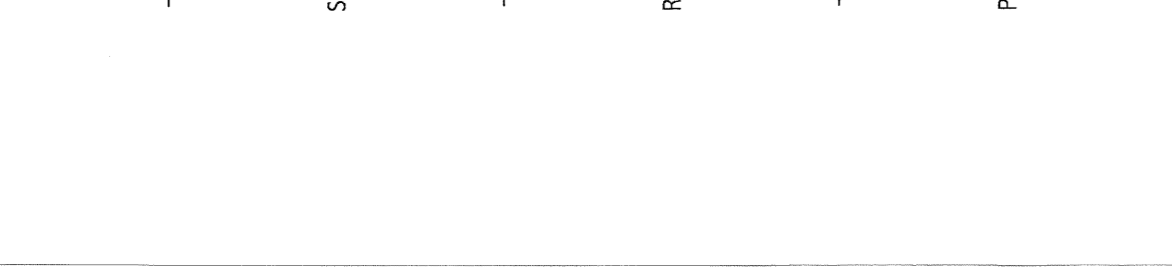
N1
 ENLARGED PARTIAL PLAN @ STAIR A - FOURTH LEVEL
 3/8" = 1'-0"



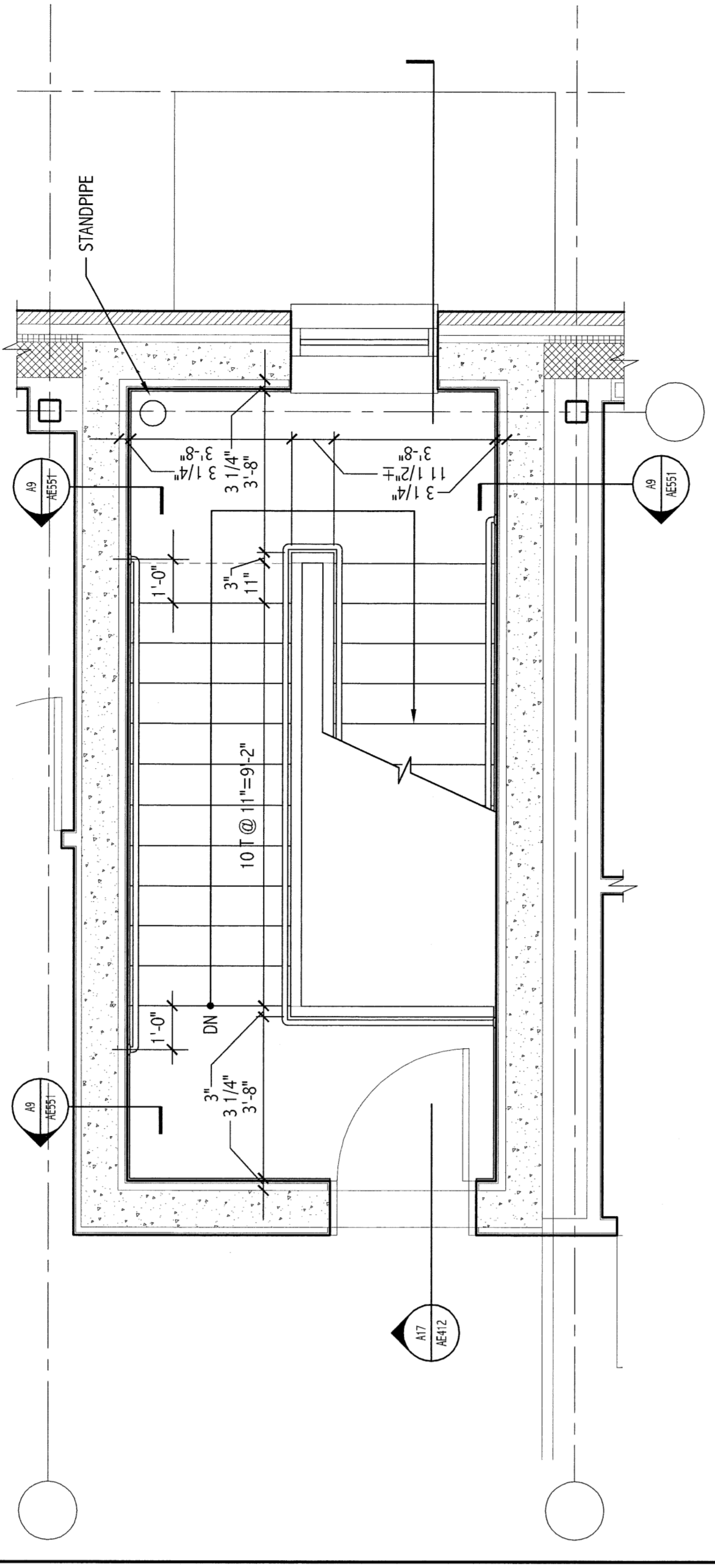
J1
 ENLARGED PARTIAL PLAN @ STAIR A - THIRD LEVEL
 3/8" = 1'-0"



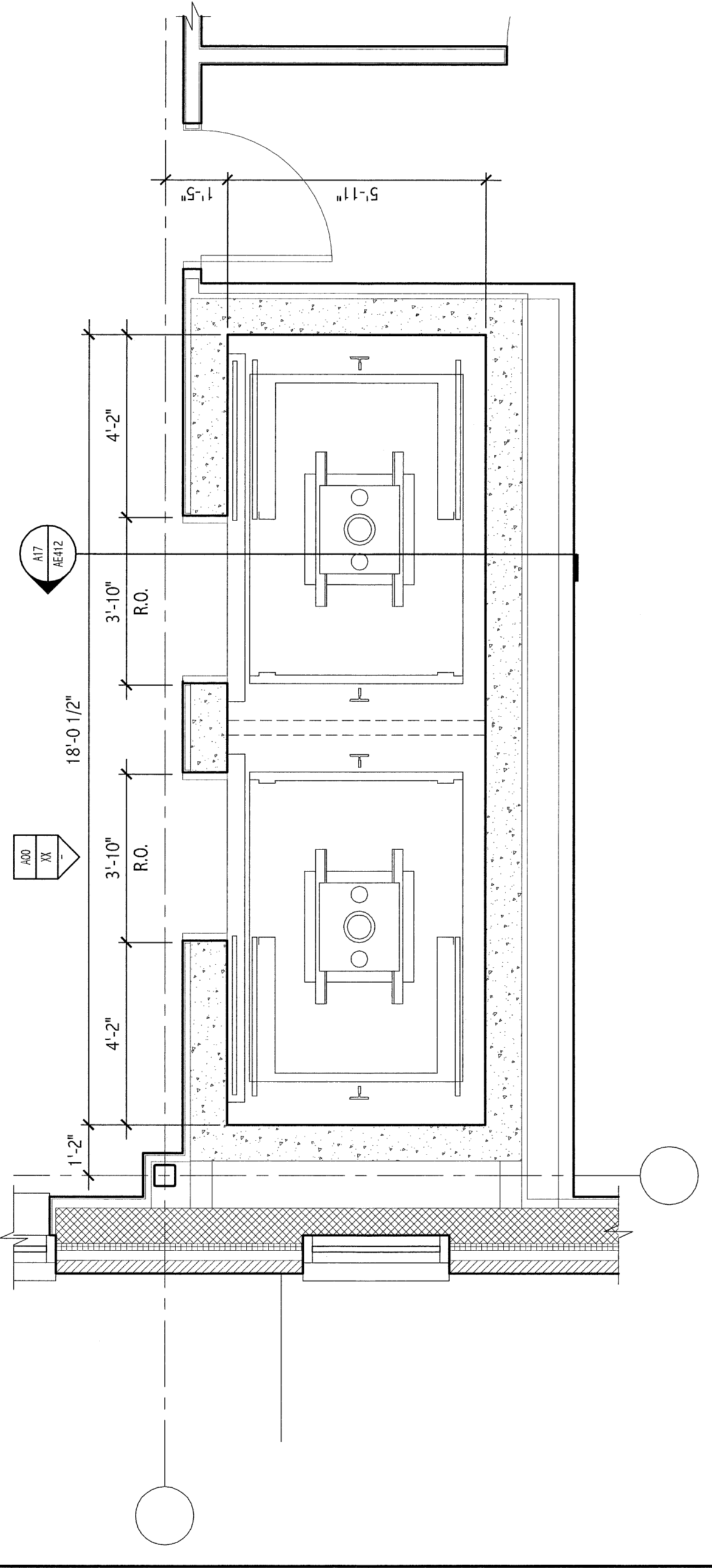
E1
 ENLARGED PARTIAL PLAN @ STAIR A - SECOND LEVEL
 3/8" = 1'-0"



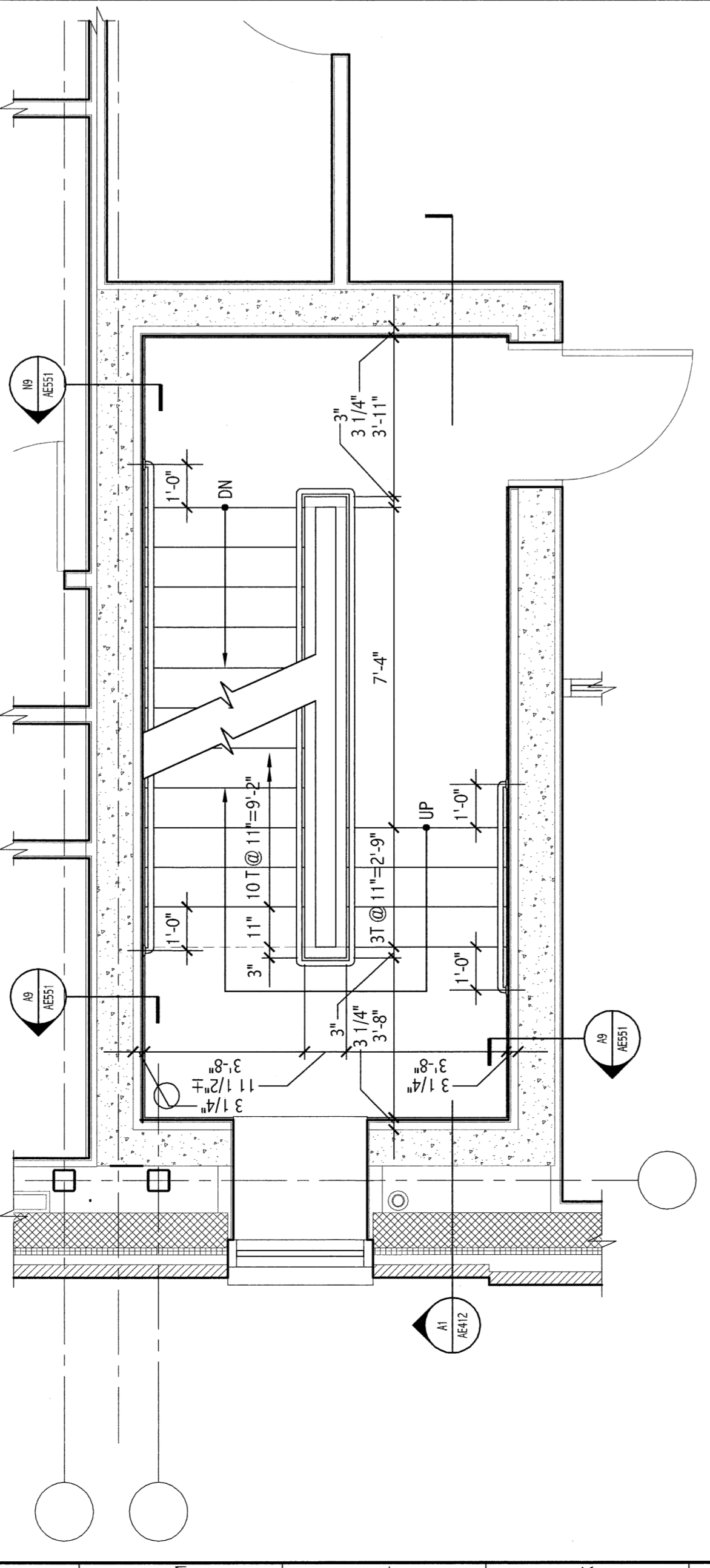
A1
 ENLARGED PARTIAL PLAN @ STAIR A - FIRST LEVEL
 3/8" = 1'-0"



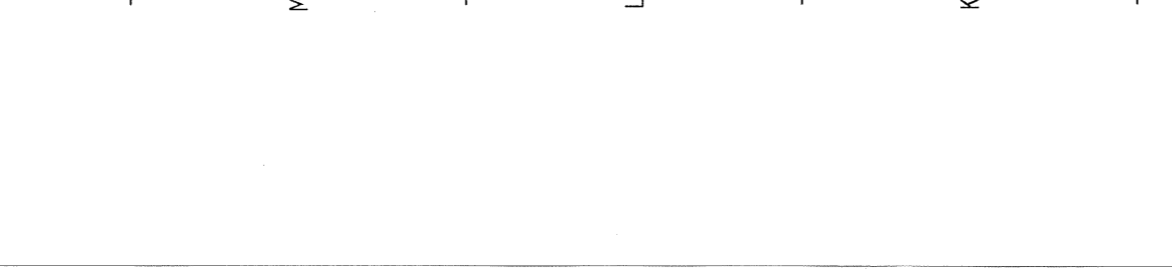
N14
 ENLARGED PARTIAL PLAN @ STEEL GRATING STAIR - FOURTH LEVEL
 3/8" = 1'-0"



J14
 ENLARGED PARTIAL PLAN @ STAIR B - THIRD LEVEL
 3/8" = 1'-0"



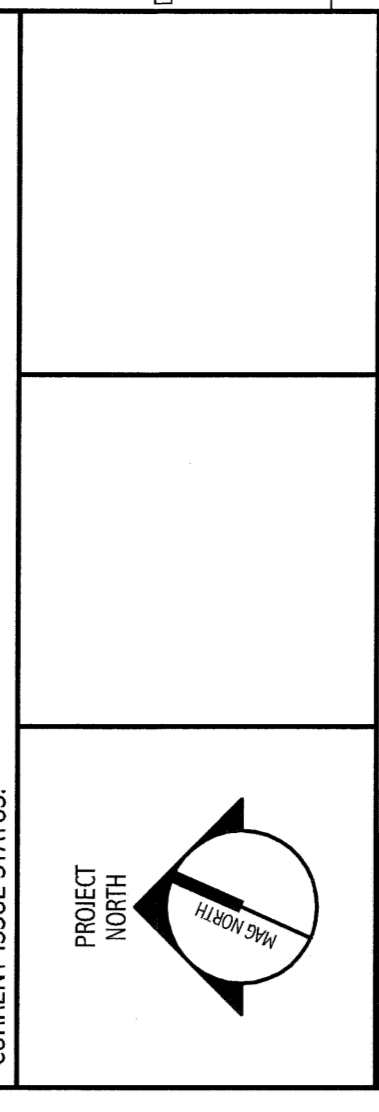
E14
 ENLARGED PARTIAL PLAN @ STAIR B - SECOND LEVEL
 3/8" = 1'-0"



A14
 ENLARGED PARTIAL PLAN @ STAIR B - FIRST LEVEL
 3/8" = 1'-0"

REV.	DESCRIPTION	DATE

ISSUED FOR G.M.P. & PERMITTING
 4-3-09



ARCHITECTURE
 ENGINEERING
 PLANNING
 INTERIOR DESIGN
 COMMISSIONING

SMARTI
 MARTIN'S POINT HEALTH CARE
 MEDICAL OFFICE BUILDING
 PORTLAND, MAINE

ENLARGED STAIR
 PLANS AND SECTIONS

PROJECT NUMBER	DATE	SCALE
AE411-003-383	08/31/09	3/8" = 1'-0"
TITLE	SHEET NO.	GRAPHIC SCALE

PROJECT NO. AE411-003-383
 SHEET NO. AE411

PROGRESS PRINT