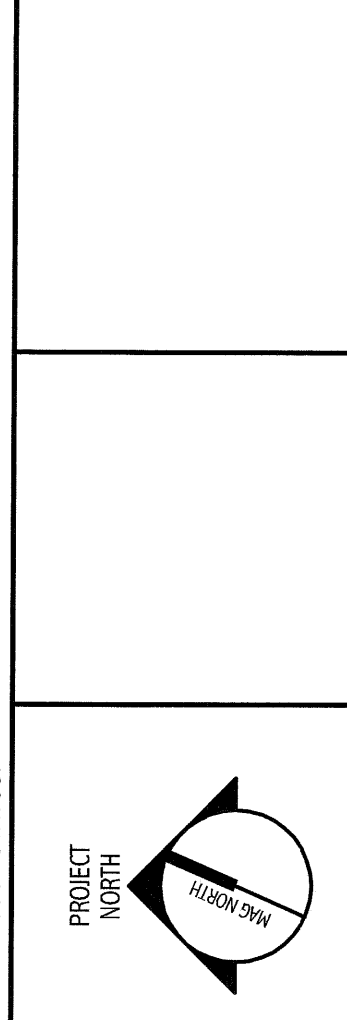
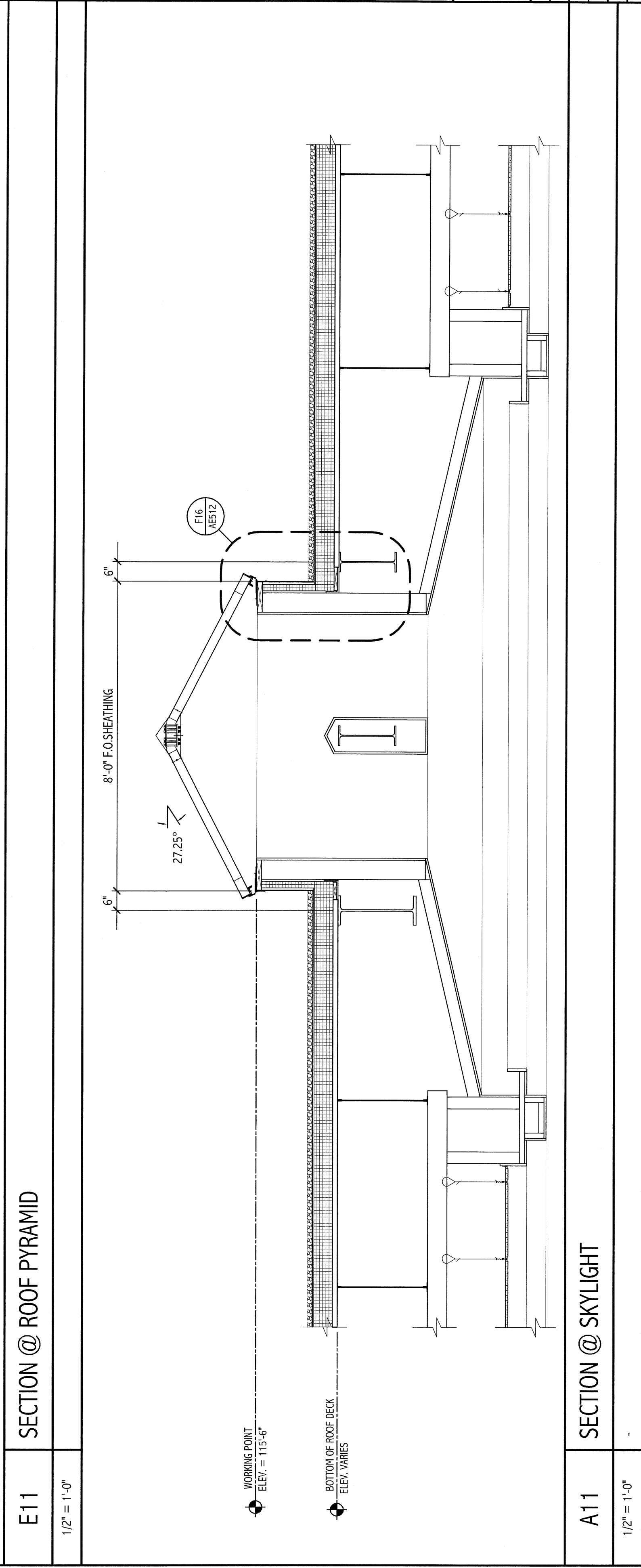
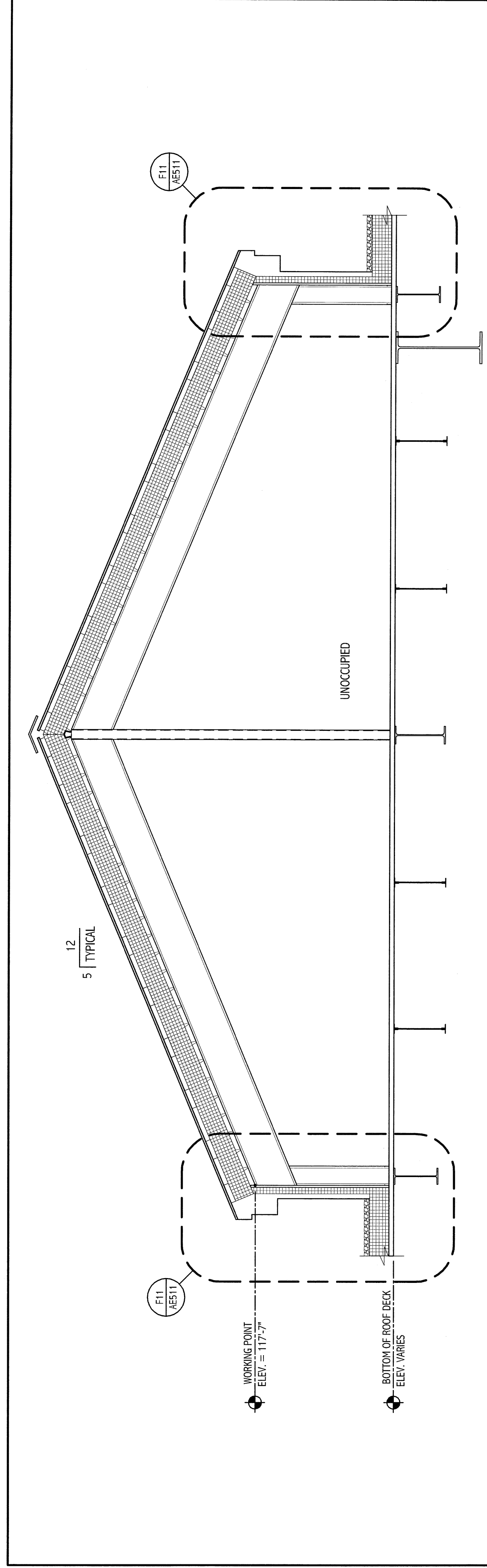


GENERAL NOTES:  
1. SEE 0001 FOR PROJECT GENERAL NOTES.

ISSUED FOR G.M.P. & PERMITTING  
4-3-09



PROJECT NO.	08133
SHEET TITLE	SECTIONS
SCALE	AS NOTED
DATE	
PROJECT MANAGER	SLB
DESIGNER	SLB
DATE OF RECORD	08/13/09
PROJECT NO.	08133
SHEET NO.	AE317



PROGRESS PRINT