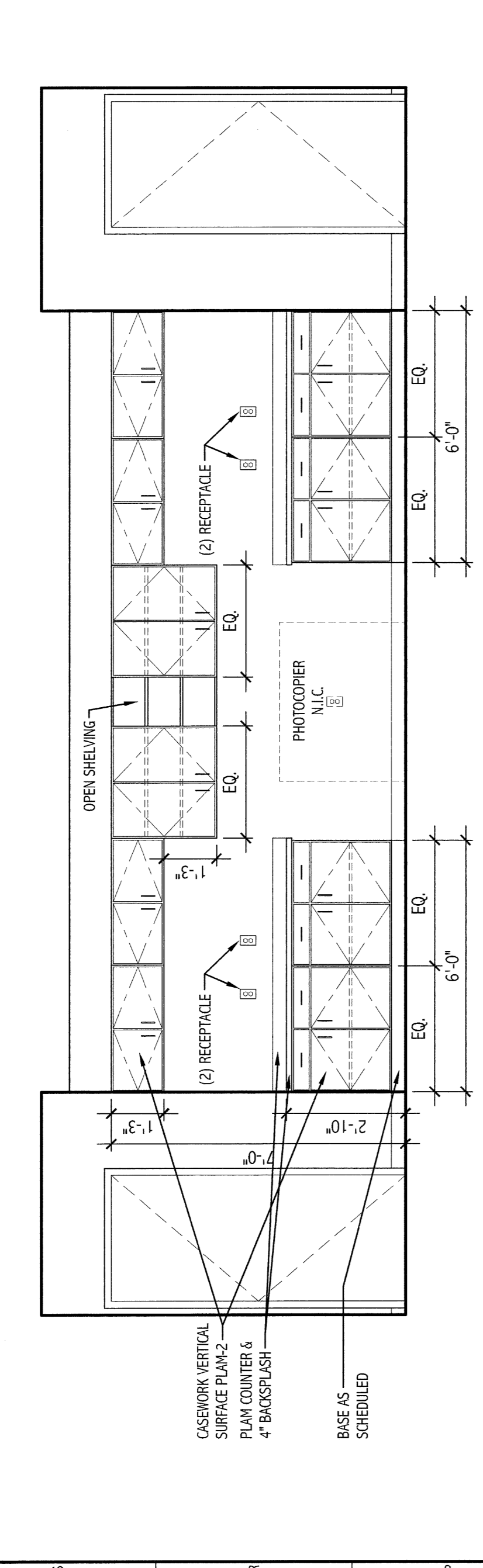
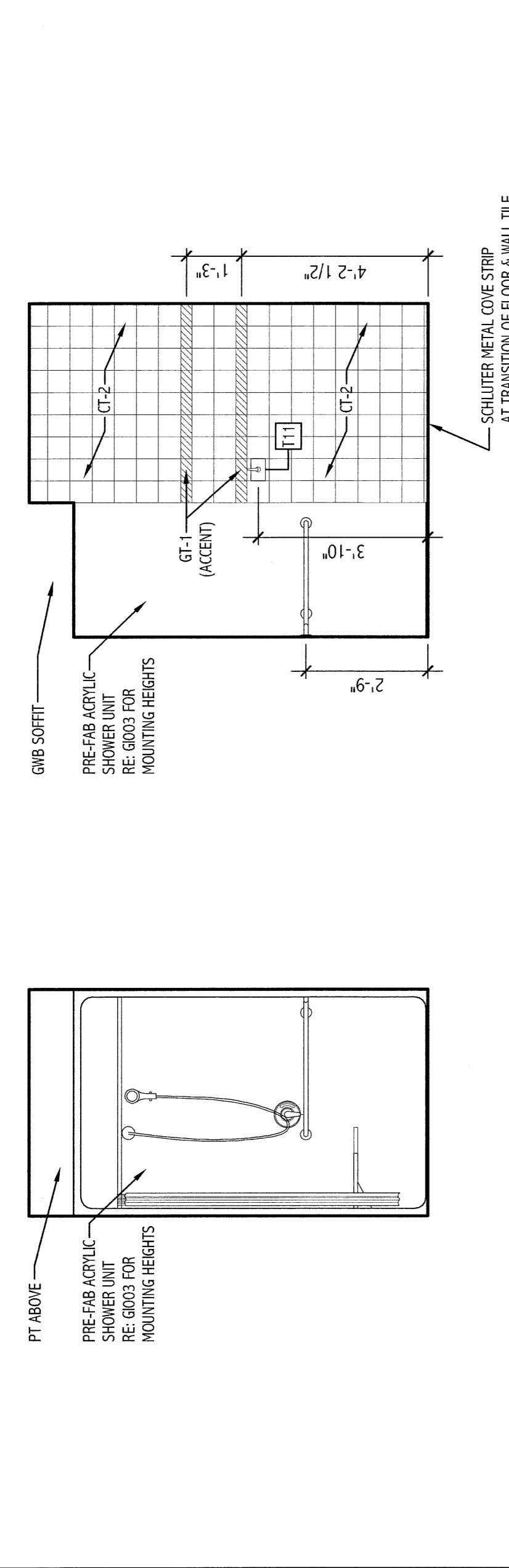
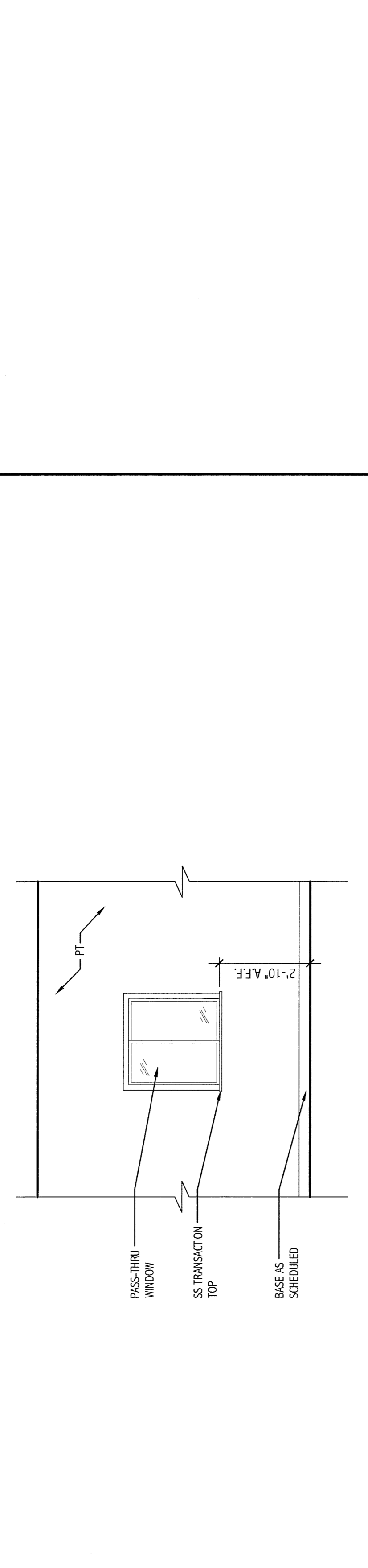
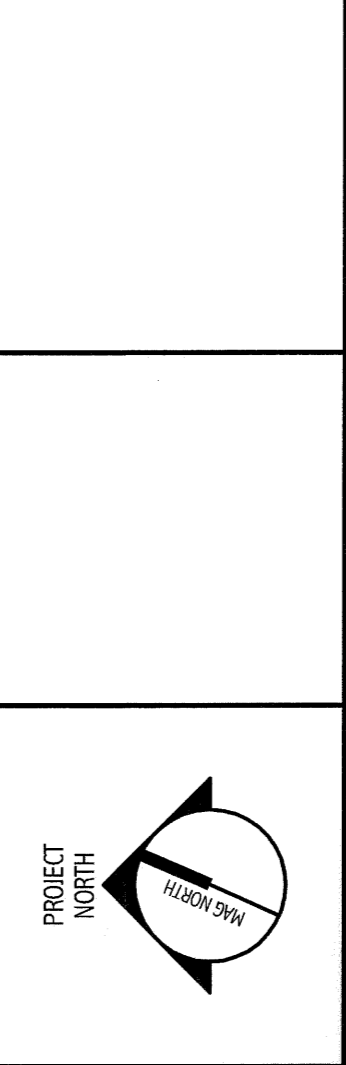


GENERAL NOTES:
 1. SEE GMD FOR PROJECT GENERAL NOTES.
 2. FOR MORE INFORMATION REGARDING FINISHES AND FINISH FABRICATIONS.



NO.	DESCRIPTION	DATE
N1	INTERIOR ELEVATION - WORK AREA 3173	3/8" = 1'-0"
N8	INTERIOR ELEVATION - STAFF SHOWER 3157	3/8" = 1'-0"
N15	INTERIOR ELEVATION - WINDOW @ LAB CHECK-IN 3013	3/8" = 1'-0"
J1		
J15		
E1		
E15		
A1		
A15		

ISSUED FOR G.M.P. & PERMITTING
 4-3-09



1445 SW 10TH AVE. SUITE 100
 PORTLAND, OREGON 97205
 TEL: (503) 772-3366
 FAX: (503) 772-1070
 WWW.SMRTI.COM

SMRTI
 MARTIN'S POINT HEALTH CARE
 MEDICAL OFFICE BUILDING
 PORTLAND, OREGON

INTERIOR ELEVATIONS
 SHEET TITLE
 AS NOTED DATE: 08/13/09
 GRAPHIC SCALE: 1" = 1'-0"
 PROJECT MANAGER: TONY MARR
 LOGO: SMRTI
 SHEET NO.: AE212
 SHEET NO.: 08119
 SMRTI CAD FILE: AE212-08119

PROJECT NO.: 08119
 SHEET NO.: AE212
 DRAWING NO.: 08119

PROGRESS PRINT