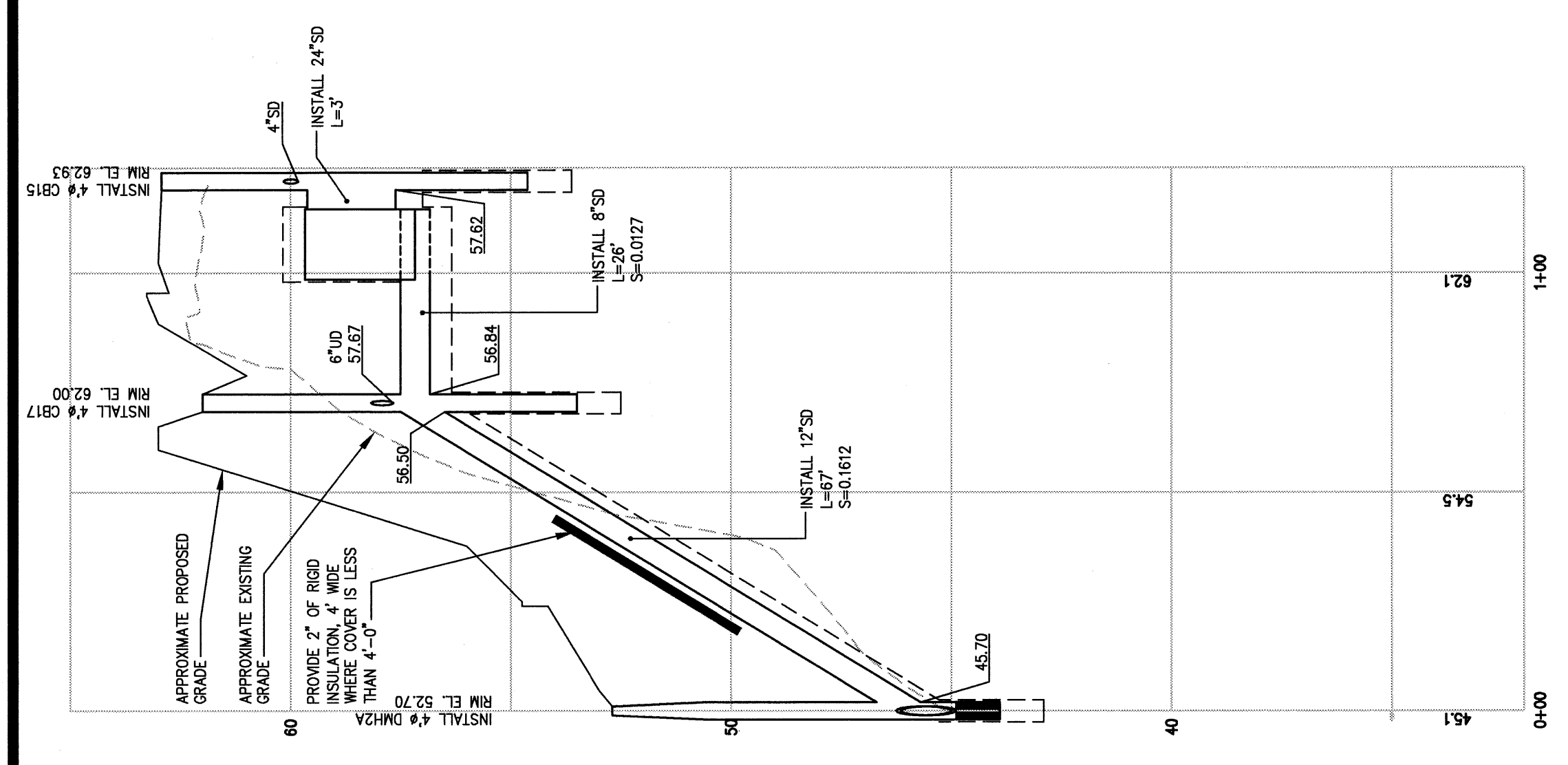
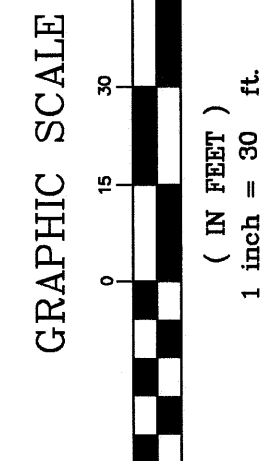
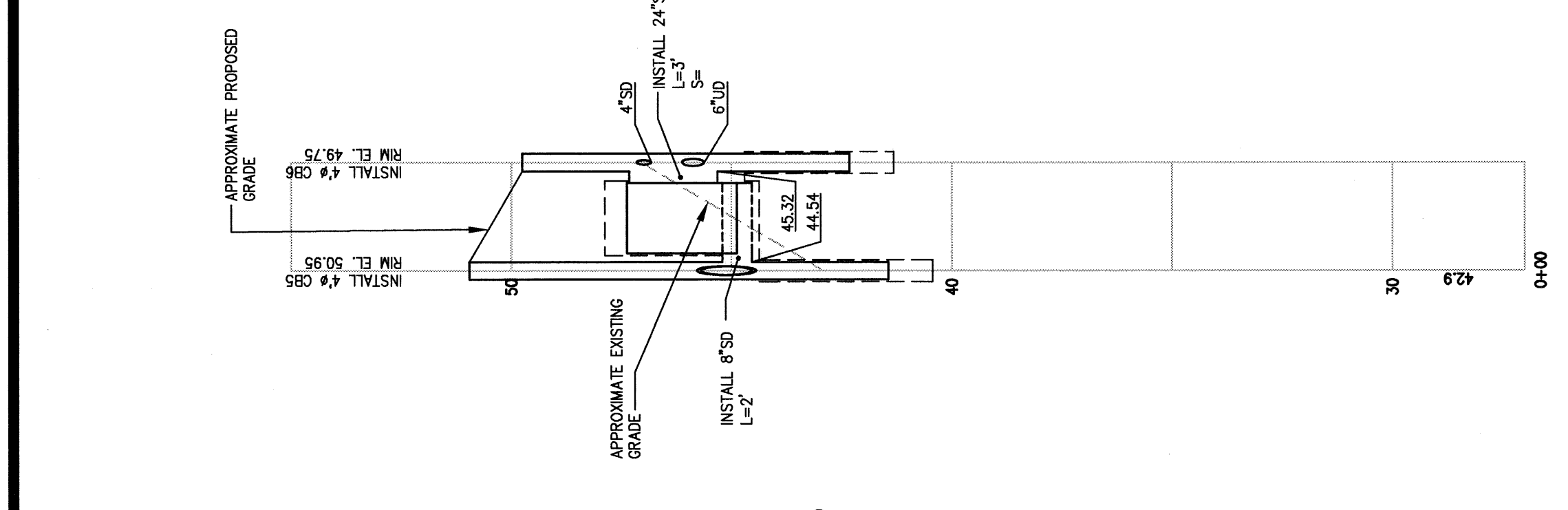


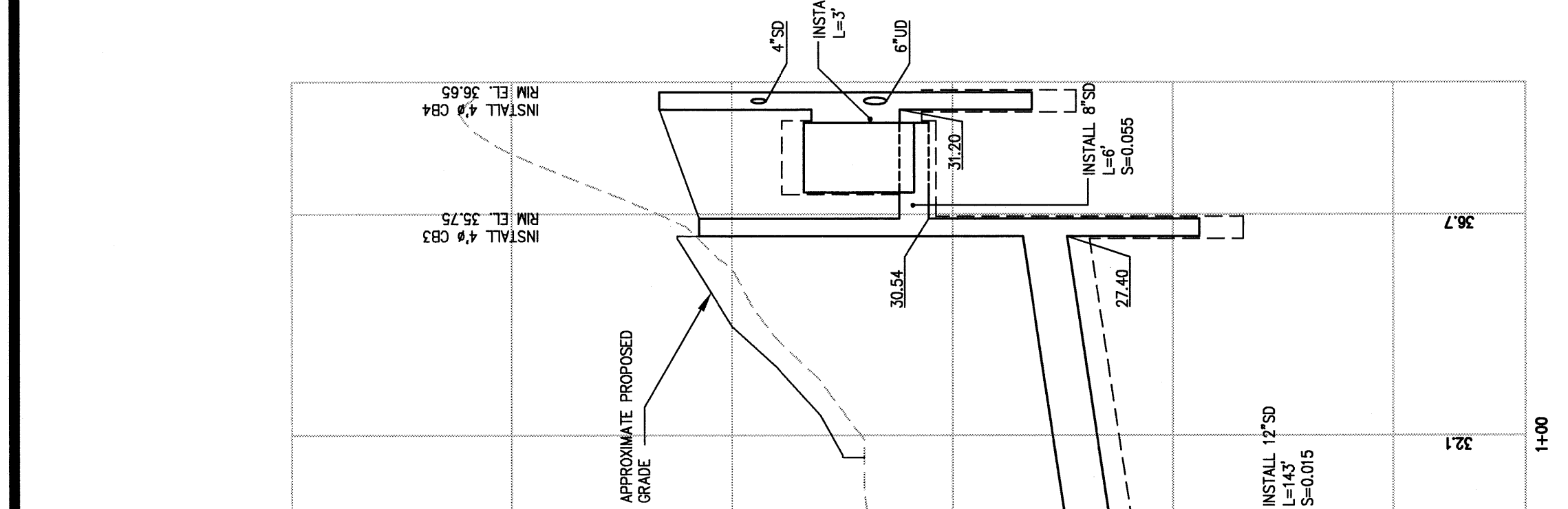
STORMDRAIN PROFILE A
SCALE 1/4"=1'-0"



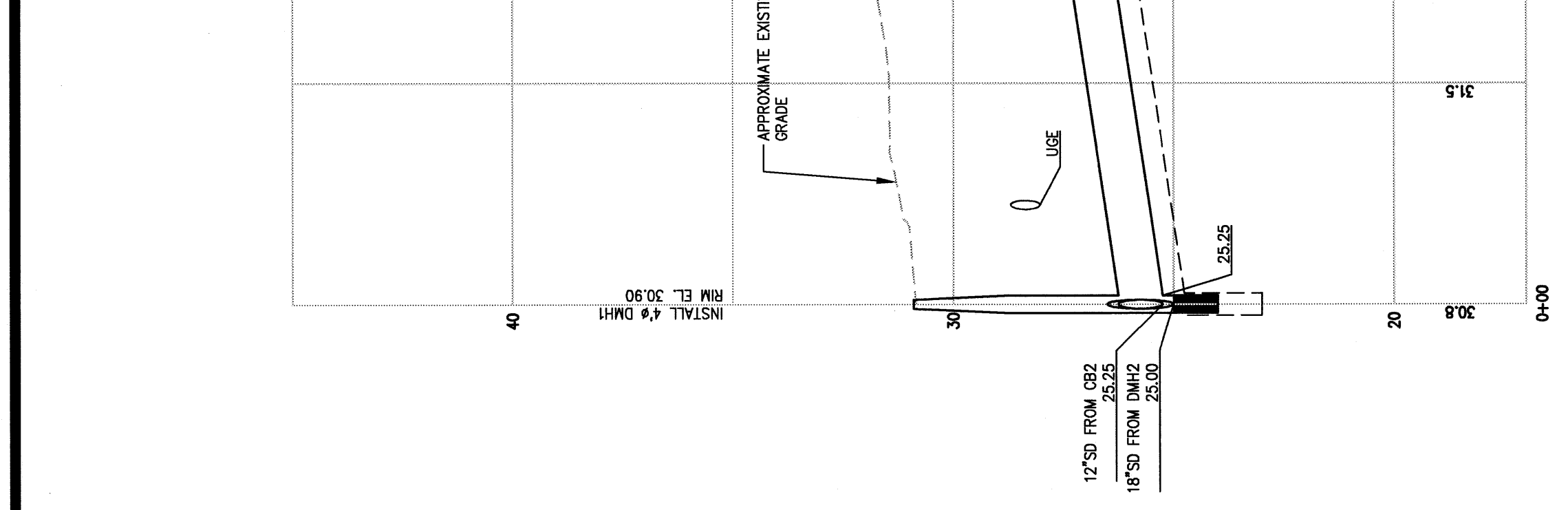
STORMDRAIN PROFILE B
SCALE 1/4"=1'-0"



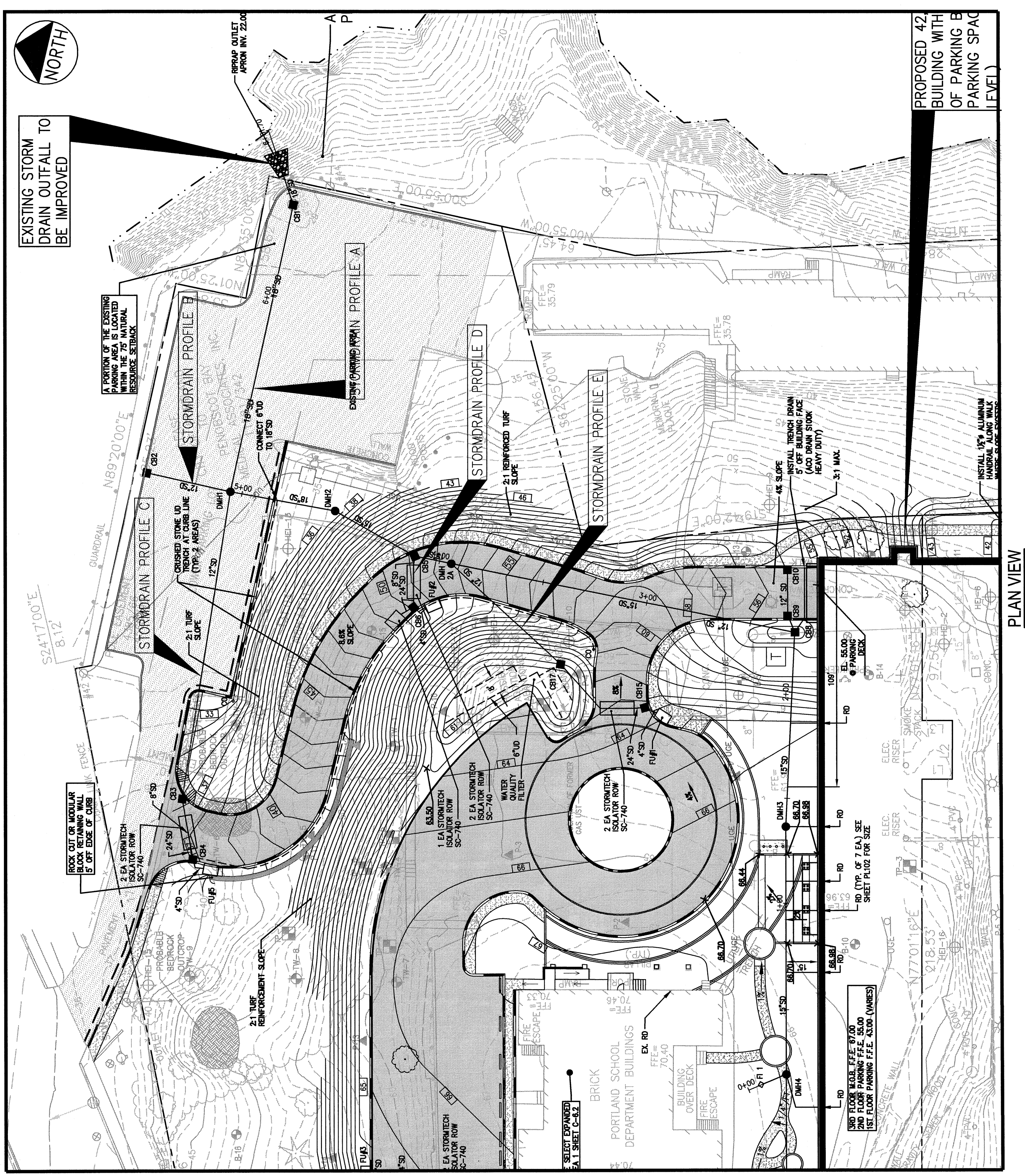
STORMDRAIN PROFILE C
SCALE 1/4"=1'-0"



STORMDRAIN PROFILE D
SCALE 1/4"=1'-0"



STORMDRAIN PROFILE E
SCALE 1/4"=1'-0"



PLAN VIEW
SCALE 1/4"=1'-0"

PRELIMINARY NOT FOR CONSTRUCTION

DALLACHOFFMAN ASSOCIATES, INC. 2001 W. MILWAUKEE AVENUE MILWAUKEE, WI 53212 WWW.DALLACHOFFMAN.COM		MARTIN'S POINT REDEVELOPMENT PROJECT PHASE 2	
DRAWN: [blank] LEC: [blank] DATE: JAN 2008		SHEET TITLE: STORMDRAIN PROFILES	
DESIGNED: [blank] DATE: [blank]		CLIENT: MARTIN'S POINT HEALTH CARE	
CHECKED: [blank] DATE: [blank]		PROJECT NO.: 224282P	
SCALE: AS NOTED		SHEET NO.: 152	
FILE NAME: 224282P		SHEET	

REV.	DATE	DESCRIPTION	BY	CHKD.
1	01/10/08	FINAL SITE PLAN SUBMISSION TO CITY	[blank]	[blank]
2	01/10/08	SITE PLAN SUBMISSION TO CITY	[blank]	[blank]
3	01/10/08	DESIGN DEVELOPMENT SUBMISSION TO CITY	[blank]	[blank]
4	01/10/08	DESIGN DEVELOPMENT SUBMISSION TO CITY	[blank]	[blank]
5	01/10/08	FINAL SITE PLAN SUBMISSION TO CITY	[blank]	[blank]
6	01/10/08	PROCESS SET	[blank]	[blank]
7	01/10/08	DESIGN FOR CONSTRUCTION	[blank]	[blank]
8	01/10/08	DESIGN FOR CONSTRUCTION	[blank]	[blank]