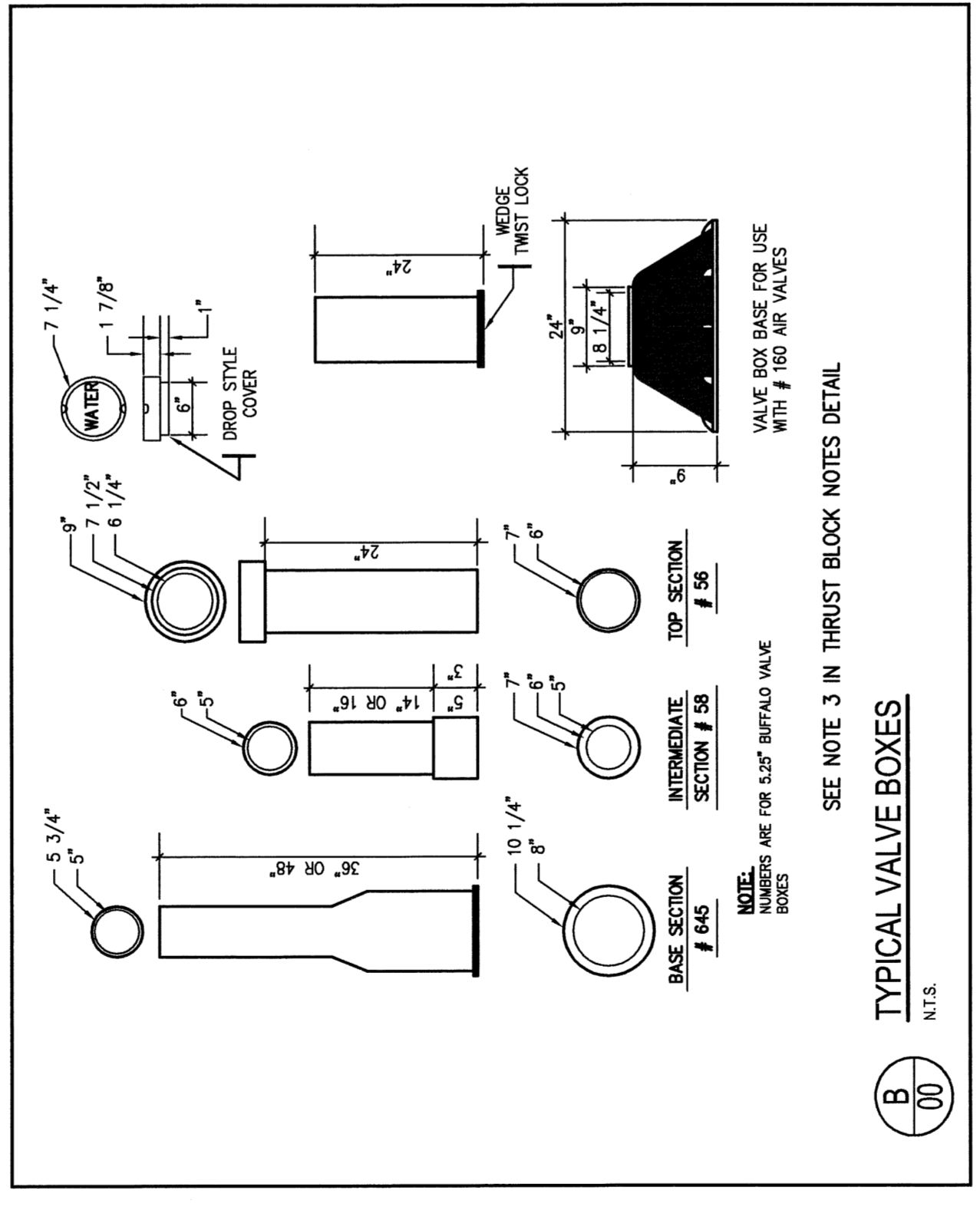


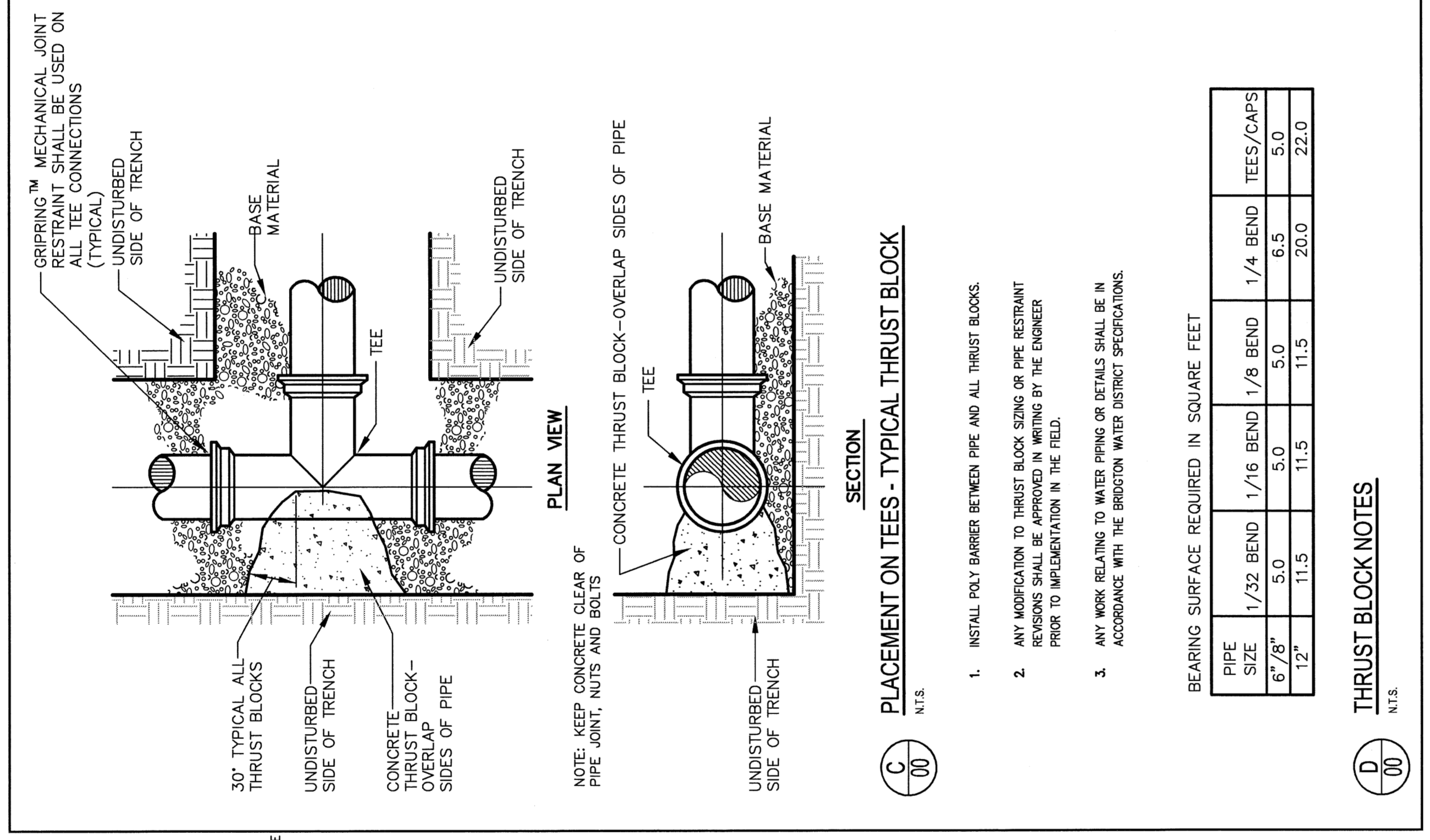
SEE NOTE 3 IN THRUST BLOCK NOTES DETAIL

**A** FIRE HYDRANT INSTALLATION DETAIL



SEE NOTE 3 IN THRUST BLOCK NOTES DETAIL

**B** TYPICAL VALVE BOXES

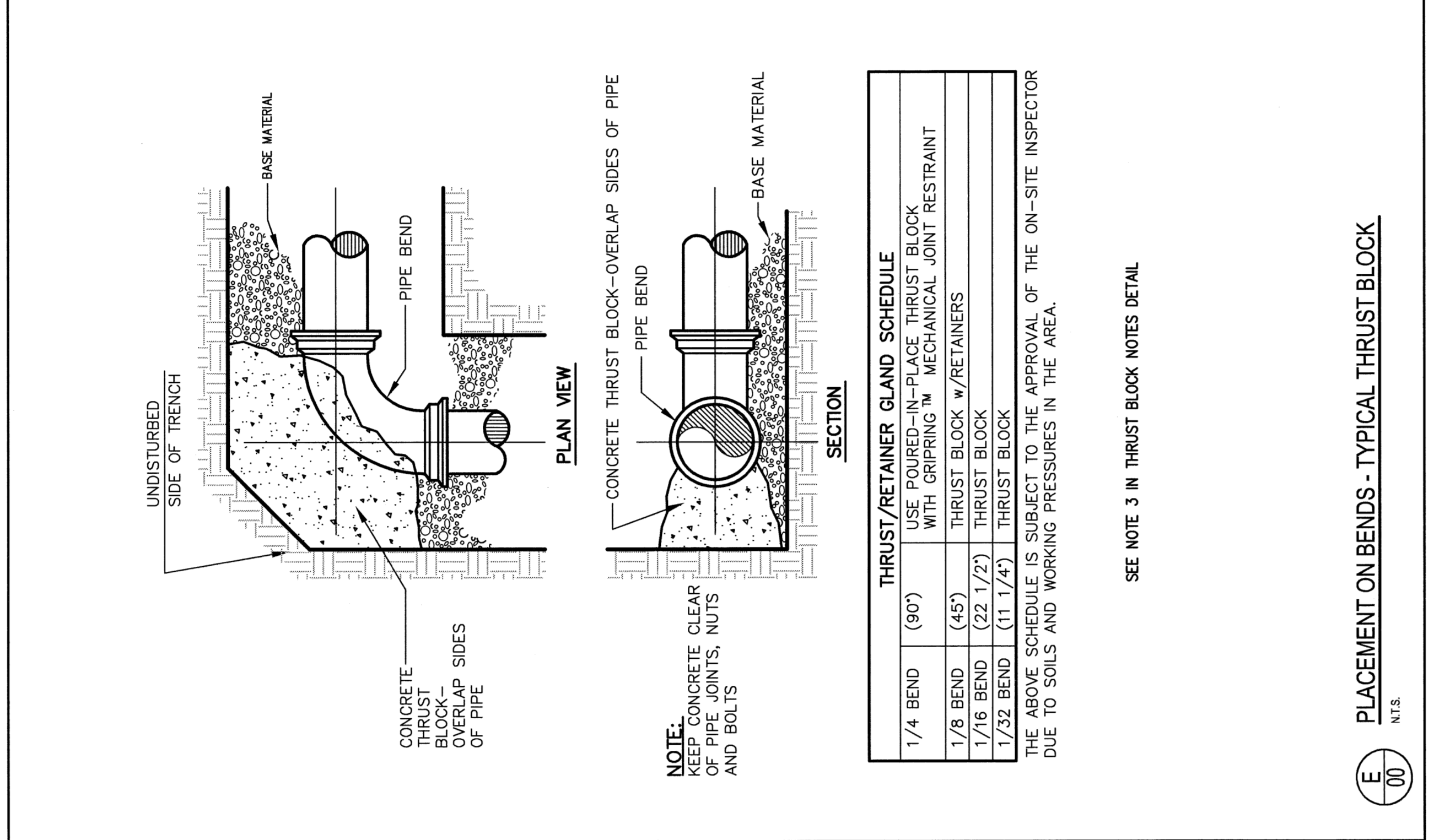


**C** PLACEMENT ON TEES - TYPICAL THRUST BLOCK

1. INSTALL POLY BARRIER BETWEEN PIPE AND ALL THRUST BLOCKS.
2. ANY ADJUSTMENT TO THRUST BLOCKS OR JOINT RESTRAINTS SHOULD BE APPROVED IN WRITING BY THE ENGINEER PRIOR TO IMPLEMENTATION IN THE FIELD.
3. ANY WORK RELATING TO WATER MAINS OR DETAILS SHALL BE IN ACCORDANCE WITH THE WASHINGTON WATER DISTRICT SPECIFICATIONS.

PIPE SIZE	1/32 BEND	1/16 BEND	1/8 BEND	1/4 BEND	TEES/CAPS
6\"/>					

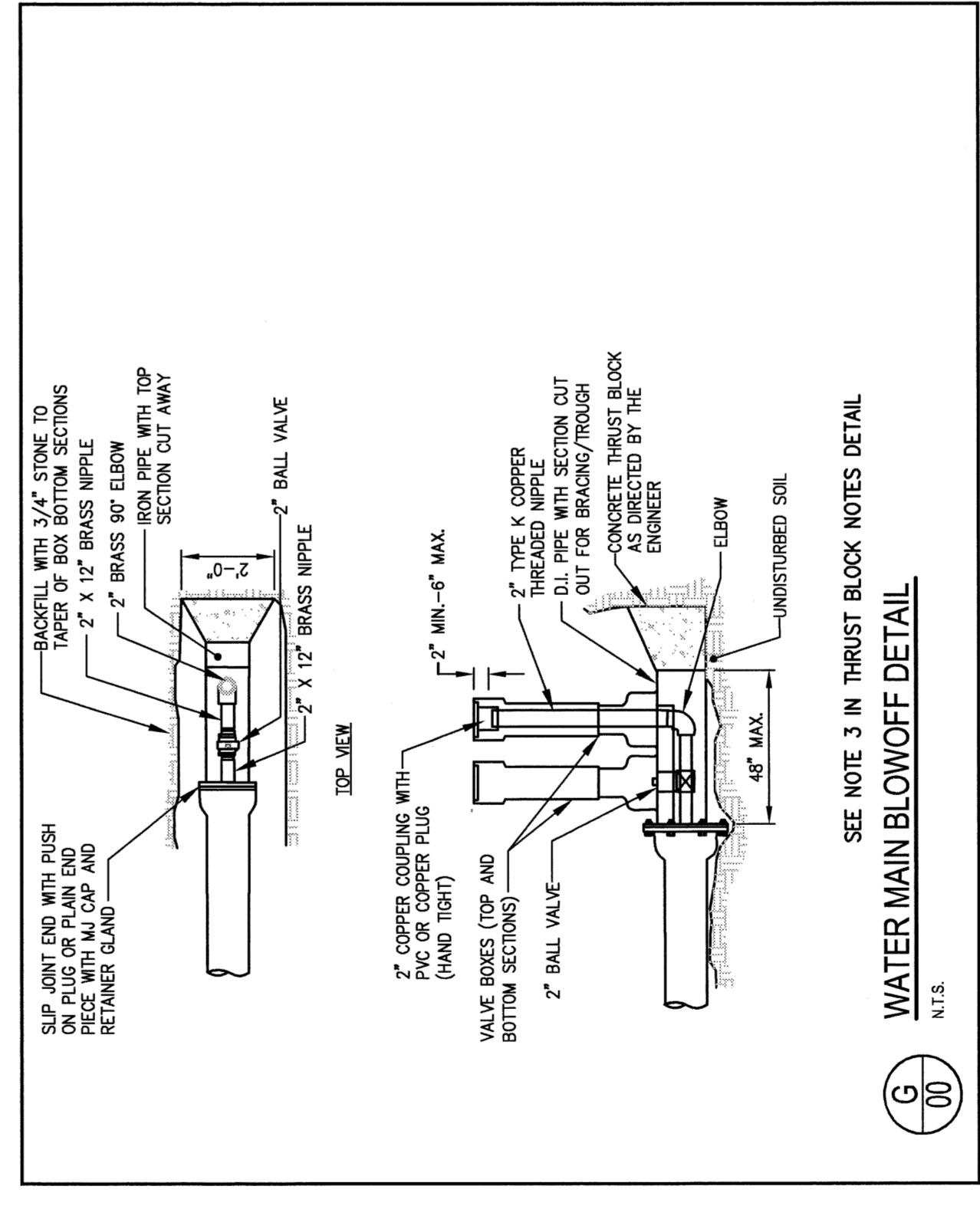
**D** THRUST BLOCK NOTES



**E** PLACEMENT ON BENDS - TYPICAL THRUST BLOCK

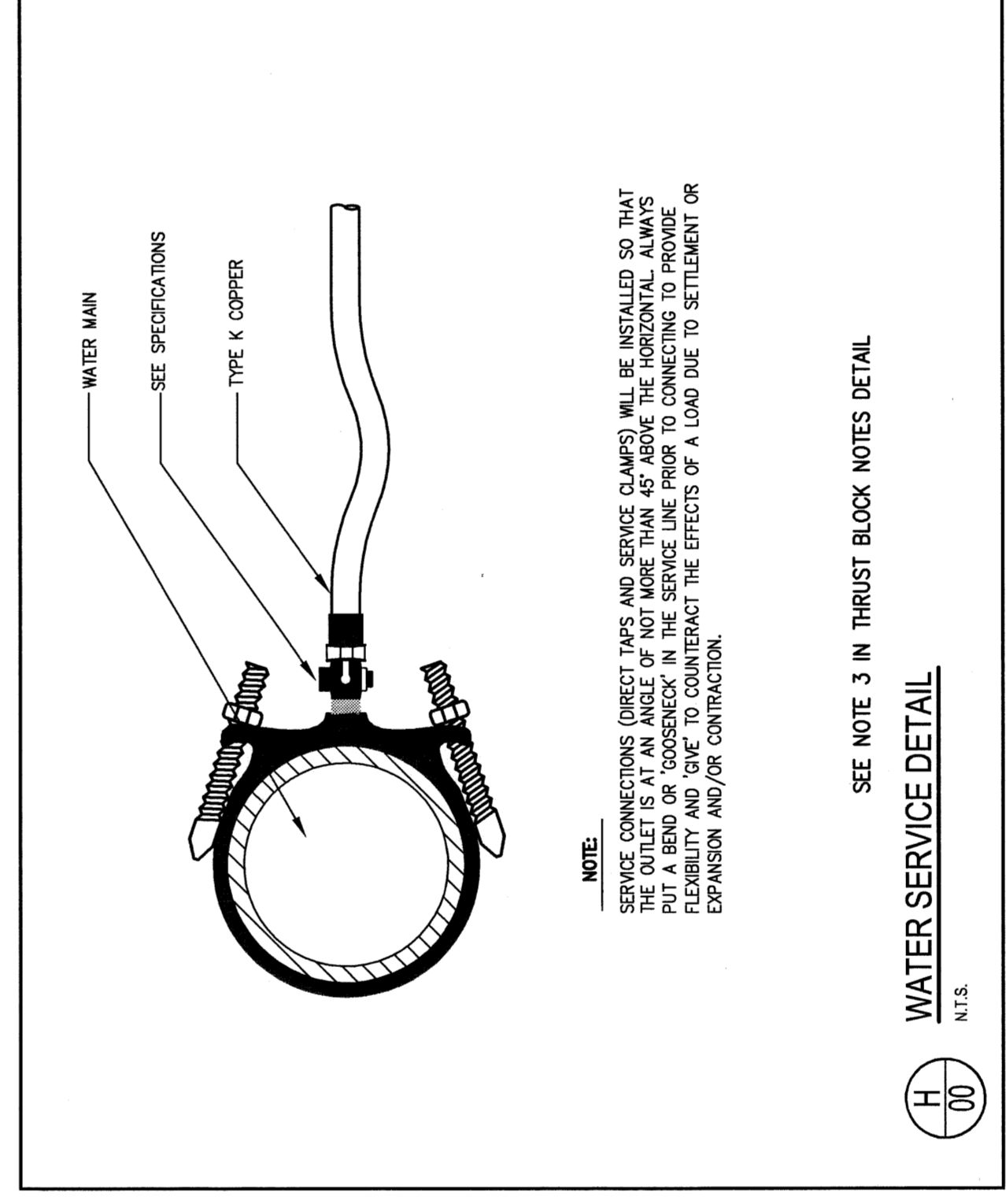
THRUST/RETAINER GLAND SCHEDULE
1/4 BEND (90°)
1/8 BEND (45°)
1/16 BEND (22 1/2°)
1/32 BEND (11 1/4°)

SEE NOTE 3 IN THRUST BLOCK NOTES DETAIL



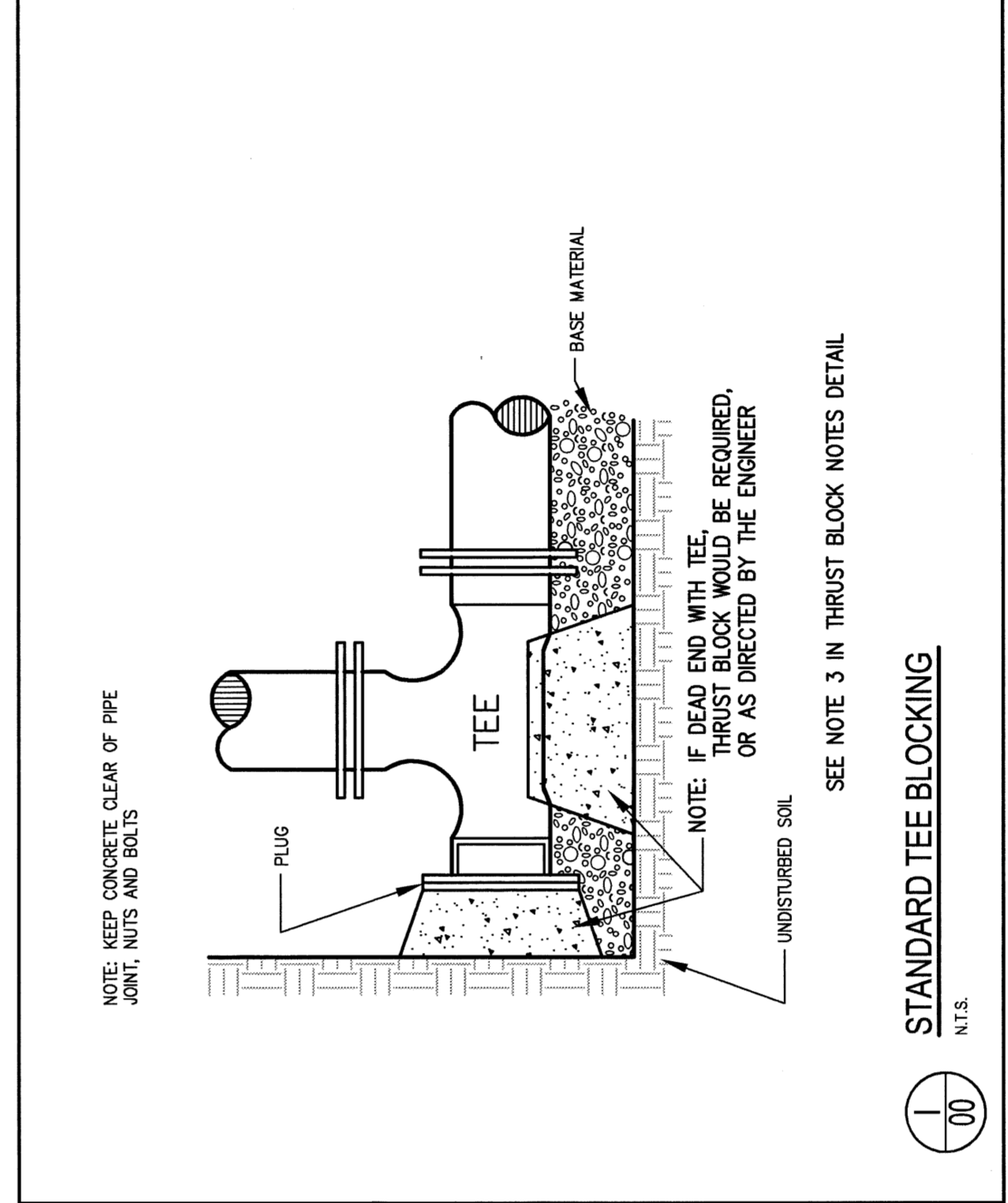
SEE NOTE 3 IN THRUST BLOCK NOTES DETAIL

**G** WATER MAIN BLOWOFF DETAIL



SEE NOTE 3 IN THRUST BLOCK NOTES DETAIL

**H** WATER SERVICE DETAIL



SEE NOTE 3 IN THRUST BLOCK NOTES DETAIL

**I** WATER SERVICE TRENCH SECTION

NO.	DATE	DESCRIPTION	BY	DATE	DESCRIPTION
1	02/01/09	DESIGN DEVELOPMENT SUBMISSION			
2	02/02/09	DESIGN DEVELOPMENT SUBMISSION			
3	02/03/09	DESIGN DEVELOPMENT SUBMISSION			
4	02/04/09	DESIGN DEVELOPMENT SUBMISSION			
5	02/05/09	DESIGN DEVELOPMENT SUBMISSION			
6	02/06/09	DESIGN DEVELOPMENT SUBMISSION			
7	02/07/09	DESIGN DEVELOPMENT SUBMISSION			
8	02/08/09	DESIGN DEVELOPMENT SUBMISSION			
9	02/09/09	DESIGN DEVELOPMENT SUBMISSION			
10	02/10/09	DESIGN DEVELOPMENT SUBMISSION			
11	02/11/09	DESIGN DEVELOPMENT SUBMISSION			
12	02/12/09	DESIGN DEVELOPMENT SUBMISSION			
13	02/13/09	DESIGN DEVELOPMENT SUBMISSION			
14	02/14/09	DESIGN DEVELOPMENT SUBMISSION			
15	02/15/09	DESIGN DEVELOPMENT SUBMISSION			
16	02/16/09	DESIGN DEVELOPMENT SUBMISSION			
17	02/17/09	DESIGN DEVELOPMENT SUBMISSION			
18	02/18/09	DESIGN DEVELOPMENT SUBMISSION			
19	02/19/09	DESIGN DEVELOPMENT SUBMISSION			
20	02/20/09	DESIGN DEVELOPMENT SUBMISSION			

**MARTINS POINT REDEVELOPMENT PROJECT PHASE 2**

**WATER DETAILS**

**MARTINS POINT HEALTH CARE**

CLIENT: HEALTH CARE

DESIGNED BY: D. HANSEN

DATE: 02/20/09

SCALE: AS SHOWN

FILE NAME: 20090220.DWG

DRIVER: D. HANSEN

DATE: 02/20/09

SCALE: AS SHOWN

FILE NAME: 20090220.DWG