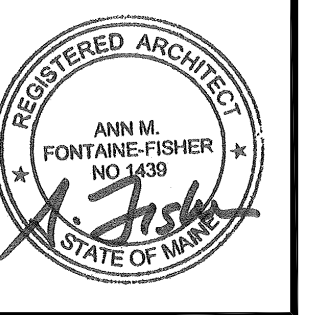


K:\WP - 17114 - VERANDAST - BUILDING 4 - CALL CENTER\17114 - WORKING FILES\CAD CDS\1-31-18 - MPH-C-BLDG 4 - CALL CENTER BASE.DWG



JOB NO.
17114

DRWN. CHK

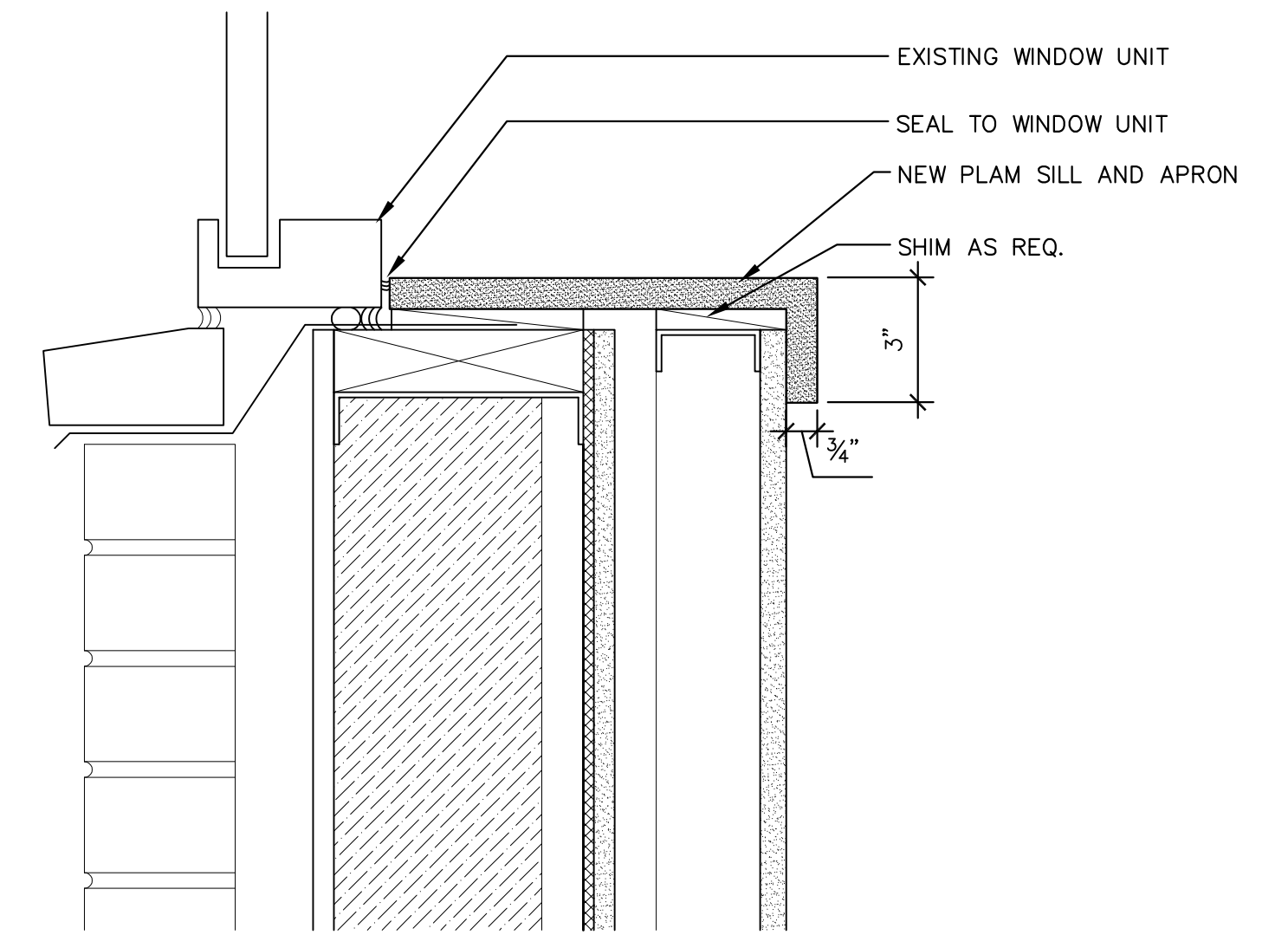
SCALE:
As Noted

ISSUE
Permit Set
January 31, 2018

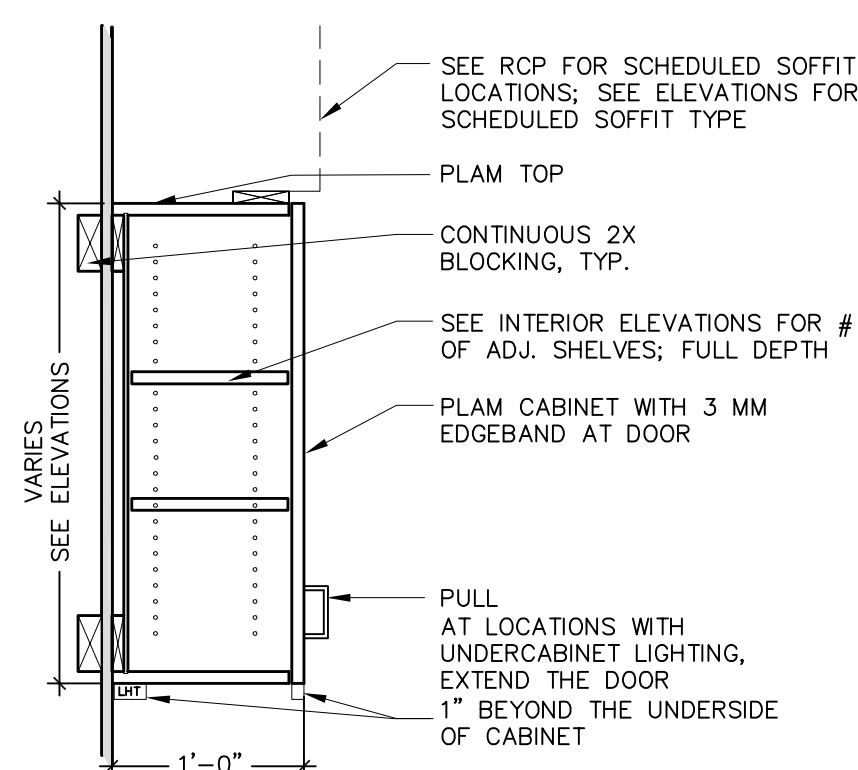
TITLE
Interior Elevations,
Casework Details,
Interior Details

SHEET

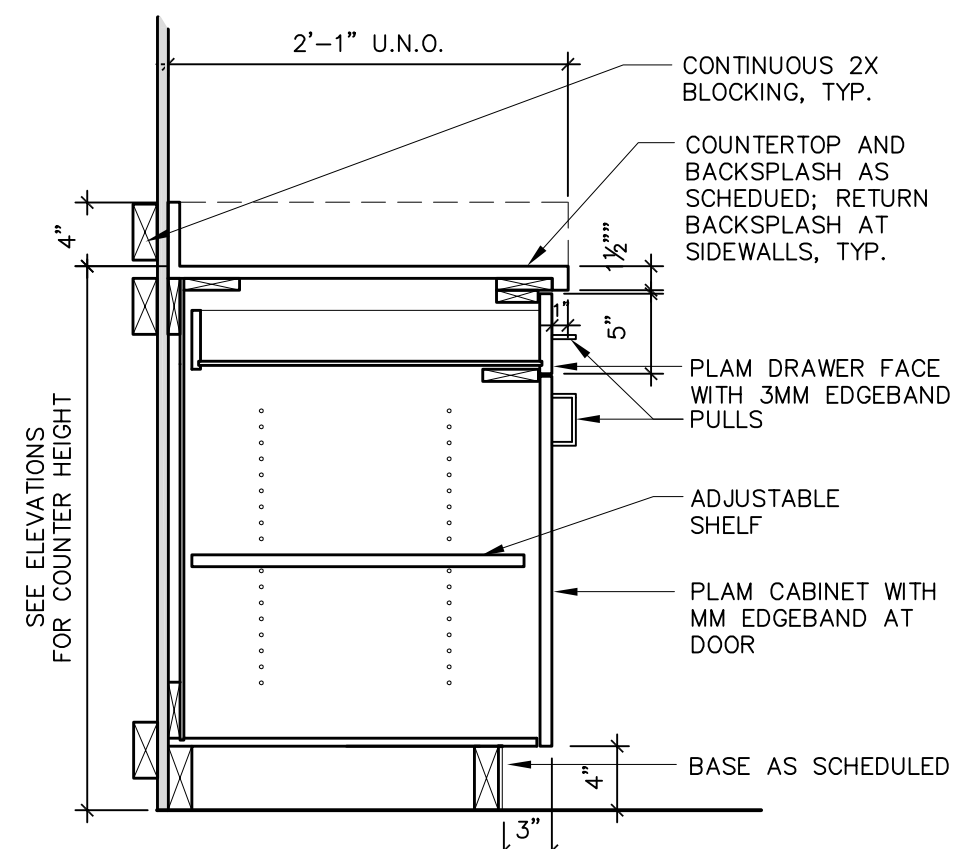
A200



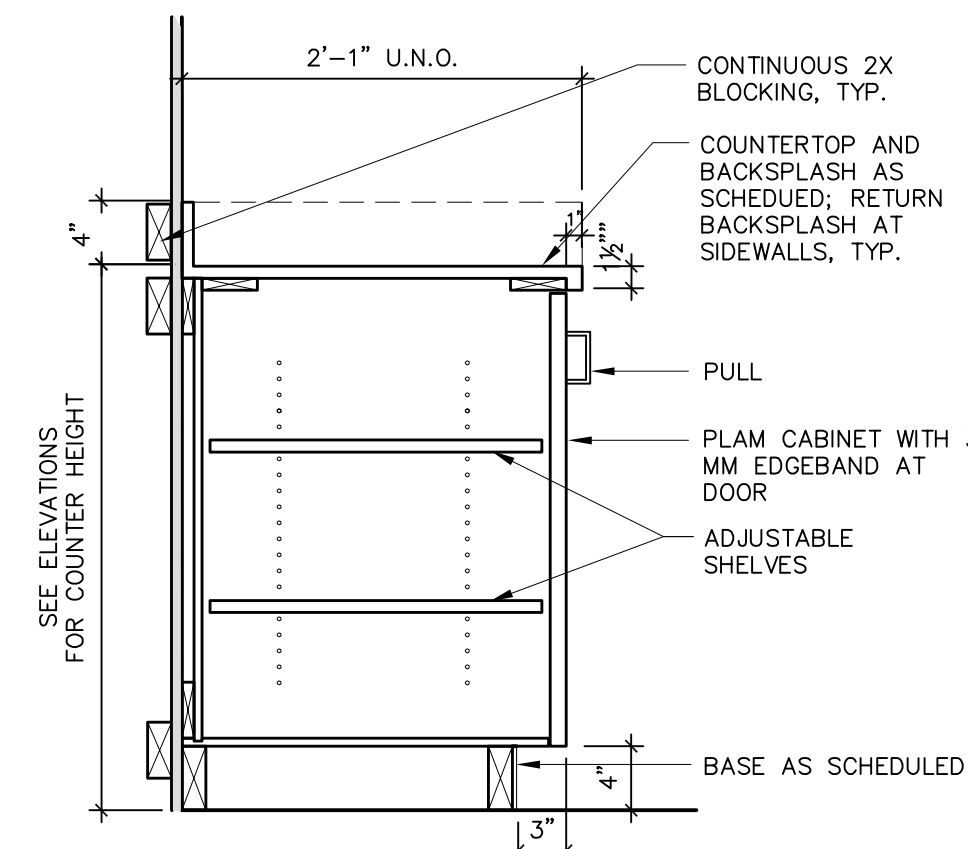
10 TYPICAL WINDOW SILL
3/8" = 1'-0"



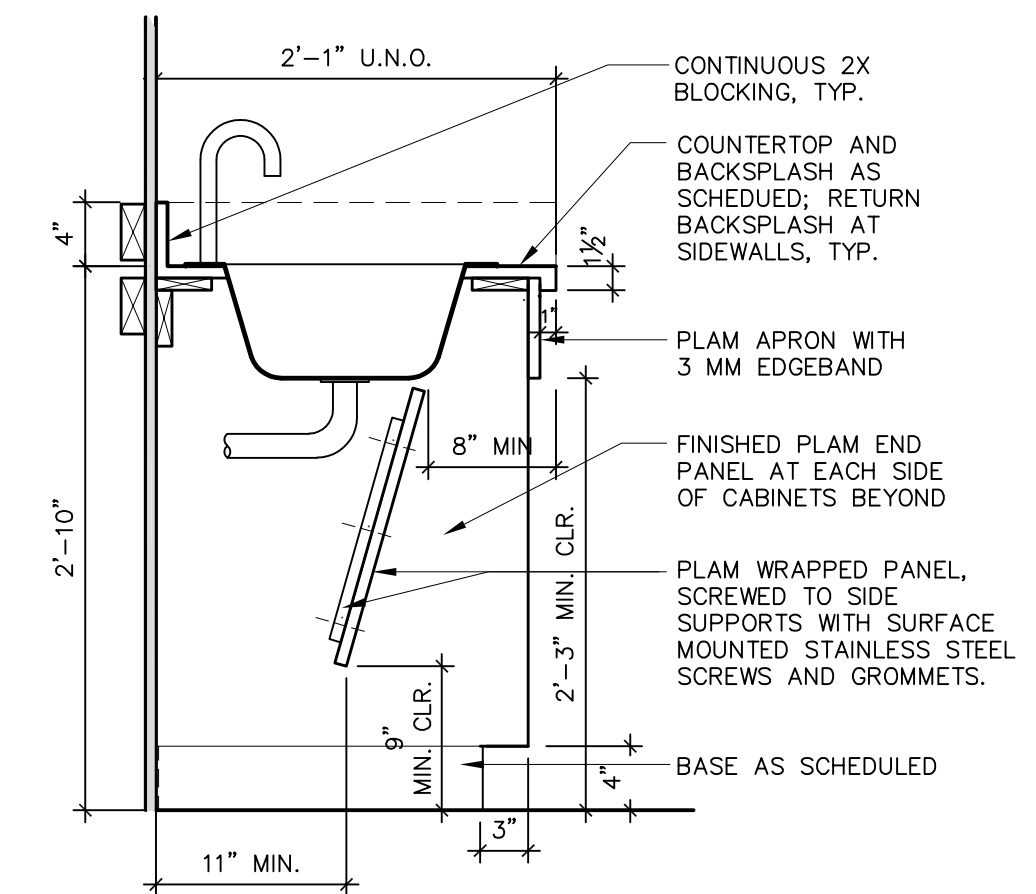
9 WALL CABINET
1" = 1'-0"



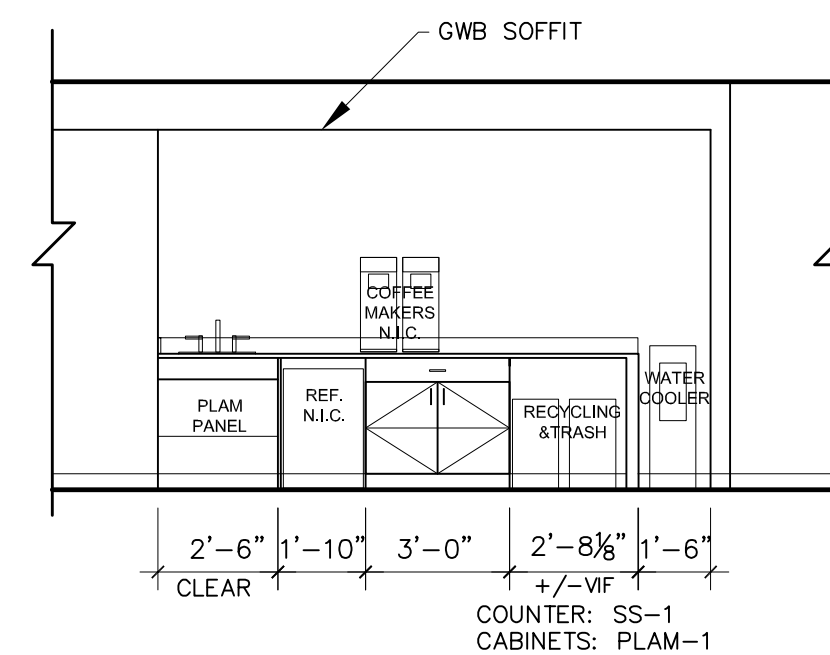
8 BASE CABINET
1" = 1'-0"



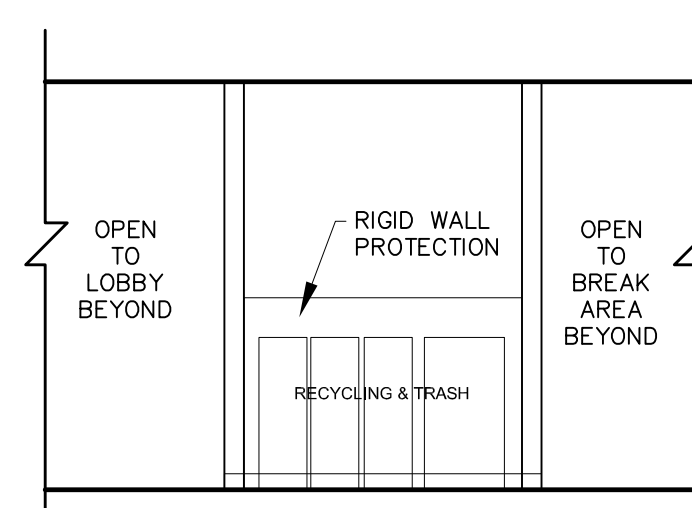
7 BASE CABINET
1" = 1'-0"



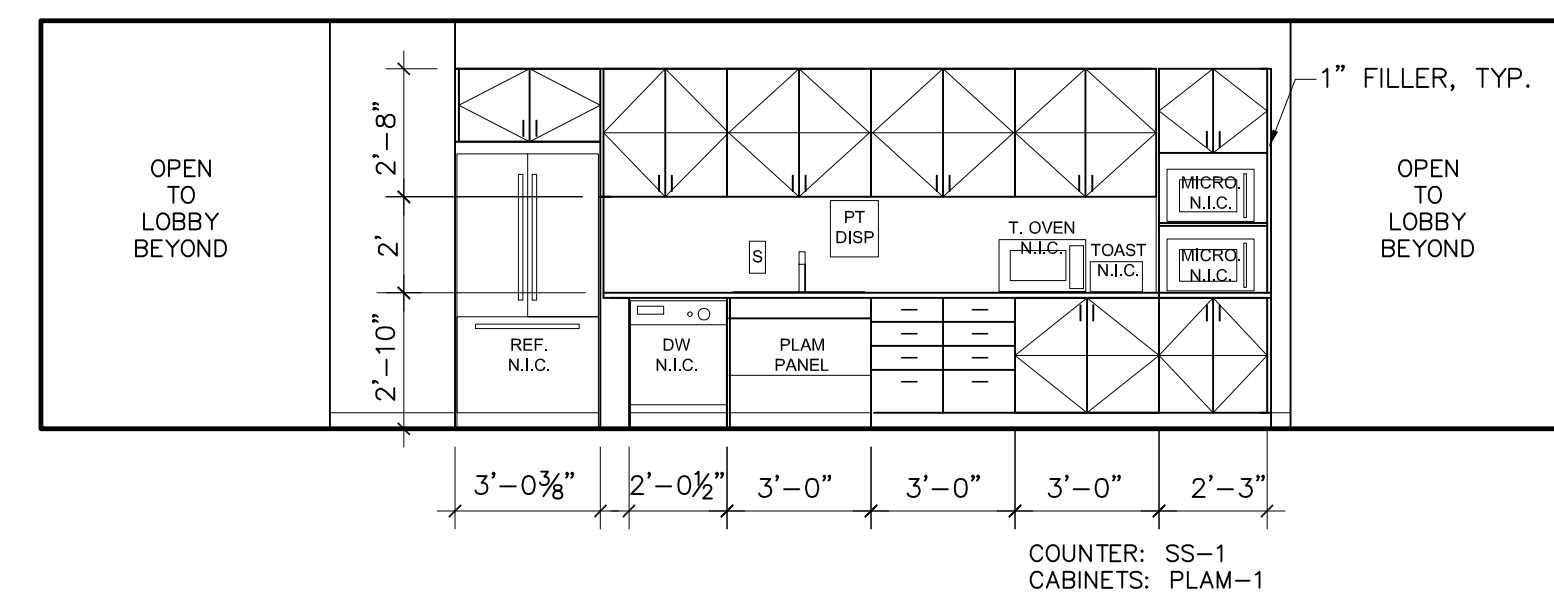
6 SINK IN COUNTER
1" = 1'-0"



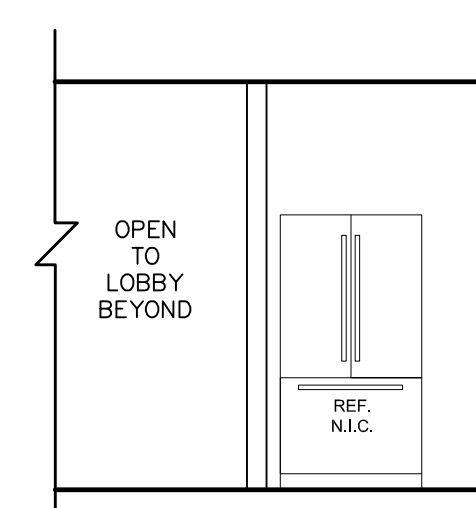
5 ELEV. - COFFEE BAR
1/4" = 1'-0"



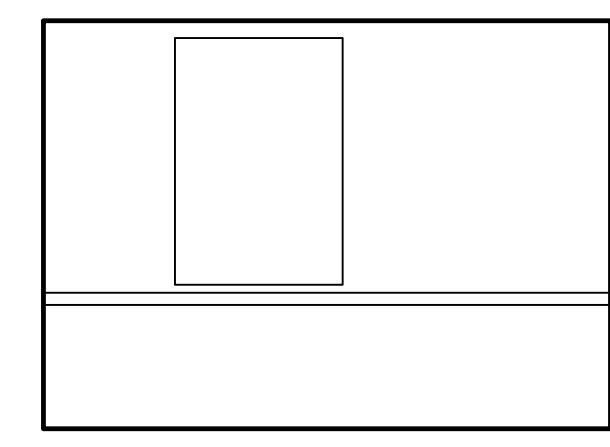
4 ELEV. - RECYCLING / TRASH
1/4" = 1'-0"



3 ELEVATION - KITCHENETTE
1/4" = 1'-0"



2 ELEV. - REFRIGERATOR
1/4" = 1'-0"



1 ELEV. - BAR
1/4" = 1'-0"