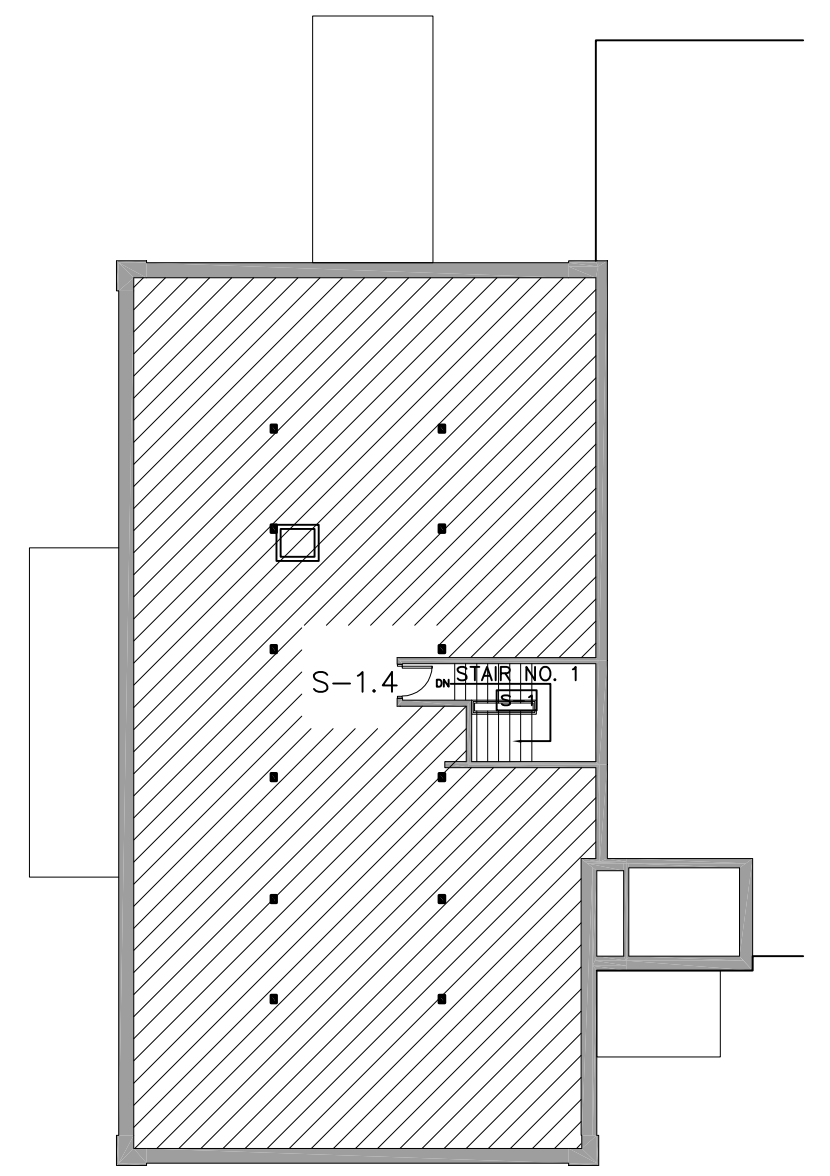
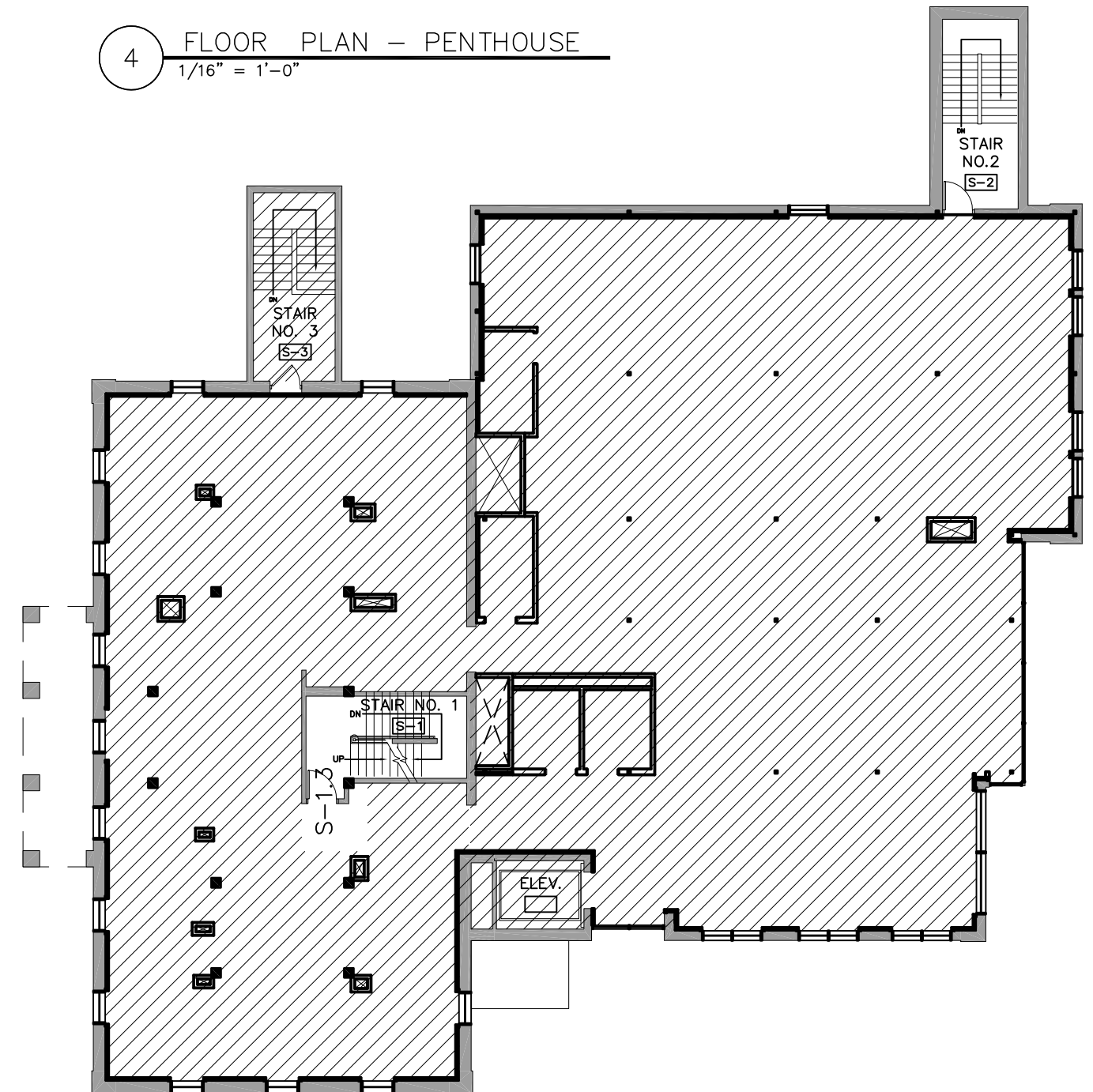


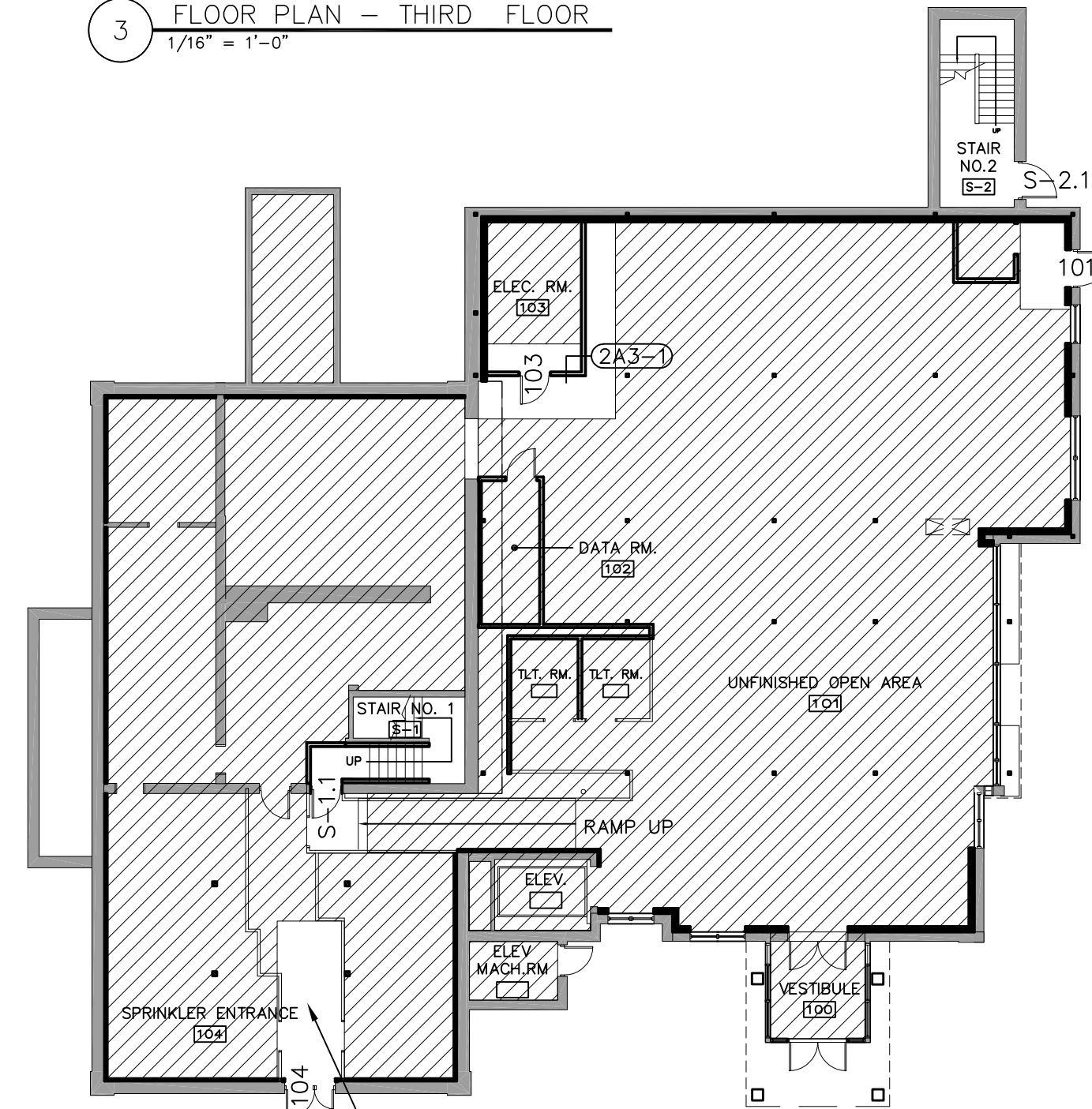
K:\MP - 17114 - VERANDAST - BUILDING 4 - CALL CENTER\17114 - WORKING FILES\CAD CDS\1-31-18 - MPHIC-BLDG 4 - CALL CENTER BASE.DWG



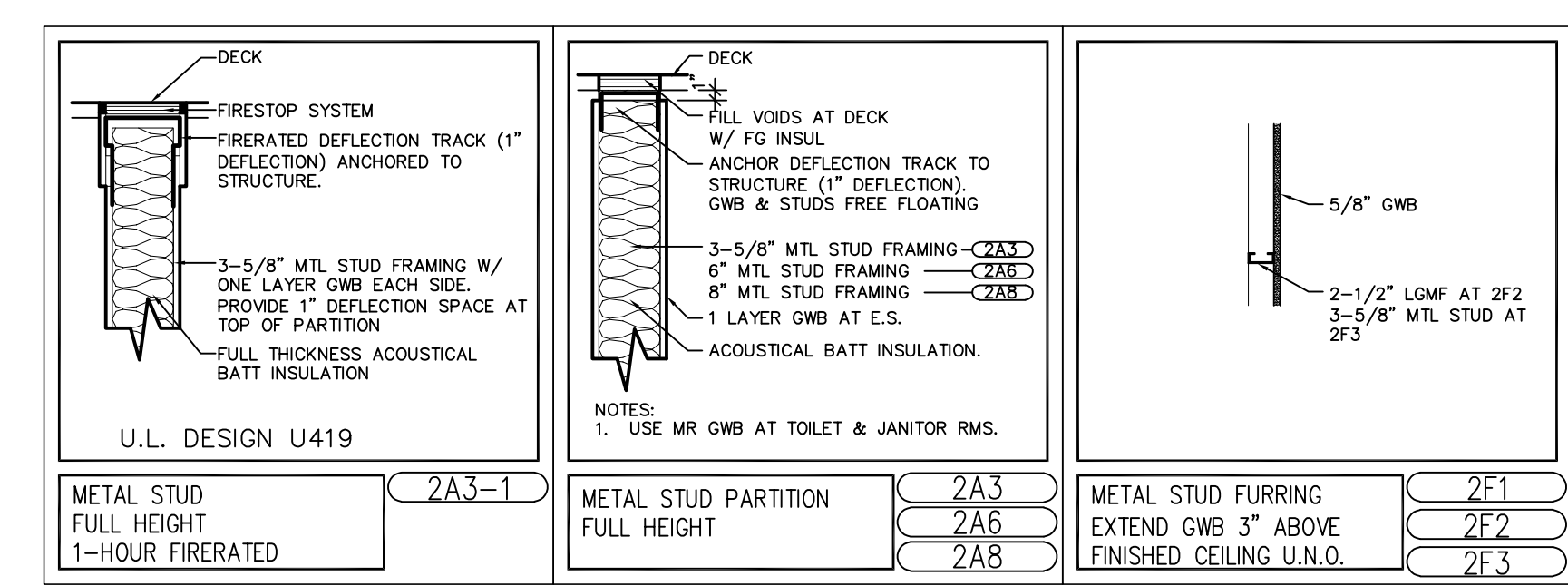
4 FLOOR PLAN - PENTHOUSE  
1/16" = 1'-0"



3 FLOOR PLAN - THIRD FLOOR  
1/16" = 1'-0"



2 FLOOR PLAN - FIRST FLOOR  
1/16" = 1'-0"

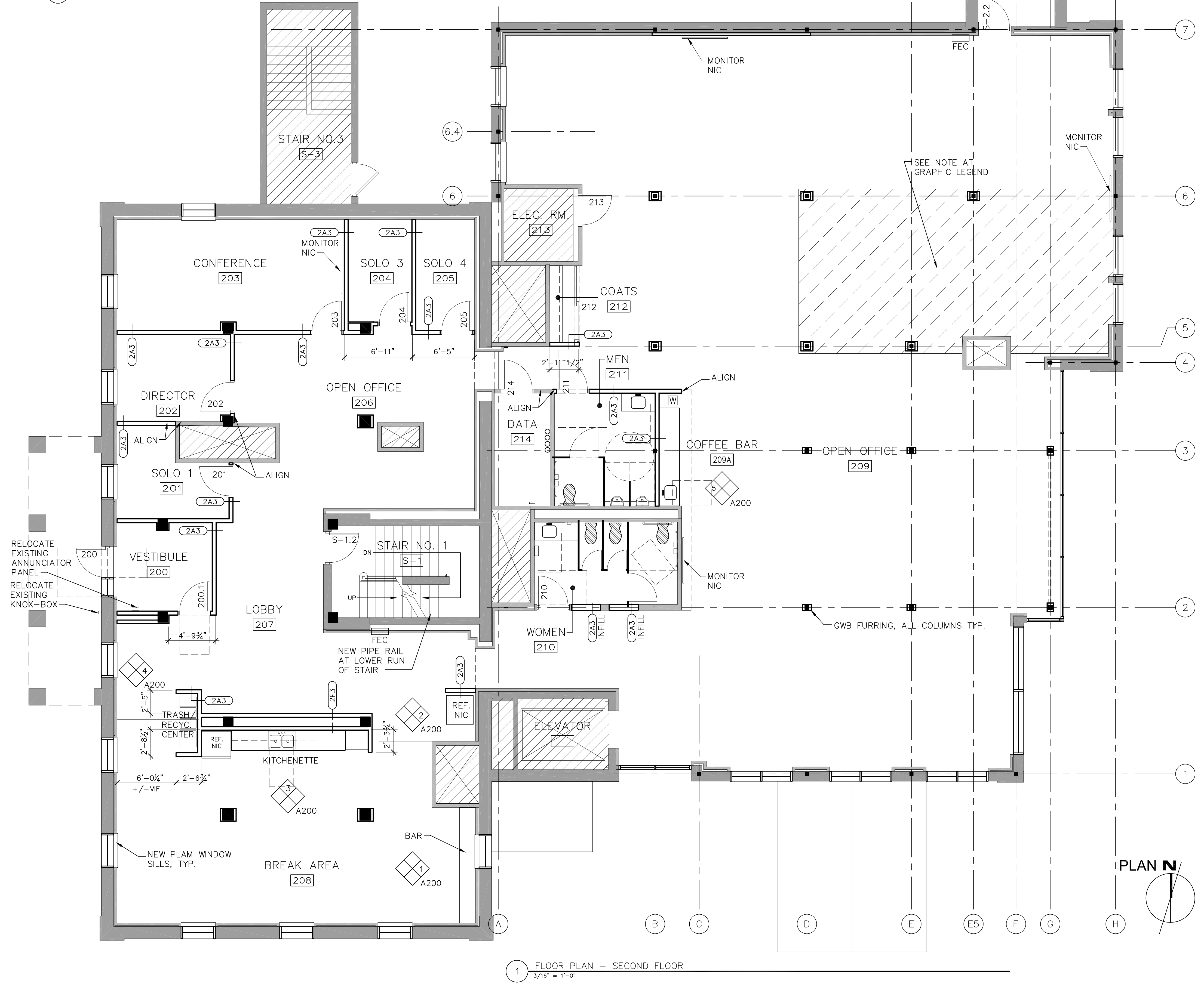


PARTITION TYPES

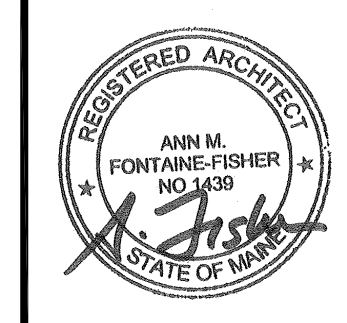
NOTE: THIS HATCH DENOTES STRUCTURAL BAY TO RECEIVE 1 HR RATED SPRAY APPLIED FIRE-RESISTIVE MATERIAL. SFRM TO BE APPLIED TO ALL STRUCTURAL MEMBERS WITHIN THE STRUCTURAL BAY, INCLUDING COLUMNS AND BRACES, AS WELL AS THE BEAMS, JOISTS, AND METAL DECK OF THE FRAMED FLOOR ABOVE.

GRAPHIC LEGEND:

- EXISTING WALLS TO REMAIN
- NEW WALLS
- T300 DOOR #
- PARTITION TYPE
- INTERIOR ELEVATION TAG
- AREA NOT IN SCOPE OF WORK



1 FLOOR PLAN - SECOND FLOOR  
3/16" = 1'-0"



JOB NO.  
17114

DRWN. CHK

SCALE:  
As Noted

ISSUE  
Permit Set  
January 31, 2018

TITLE  
Floor Plans,  
Partition Types,  
Notes

SHEET

**A100**