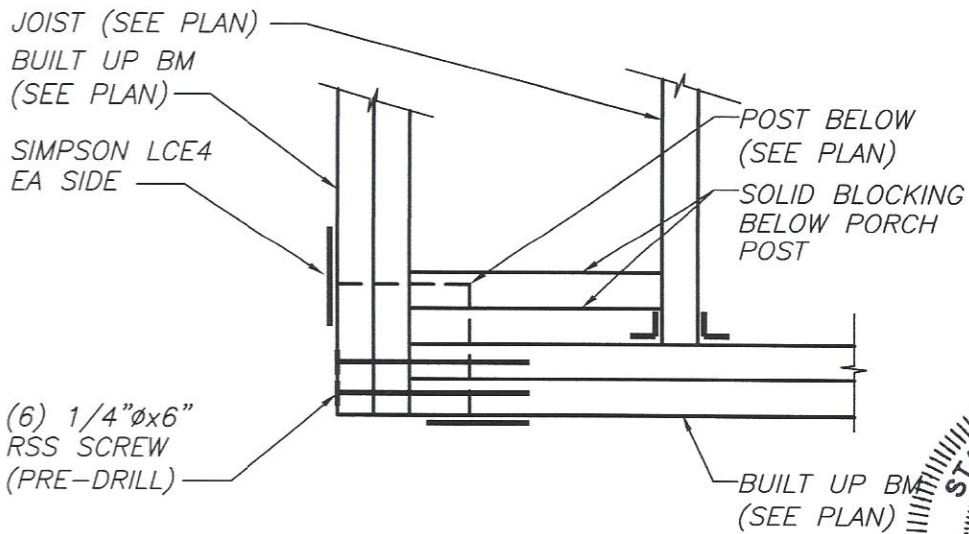
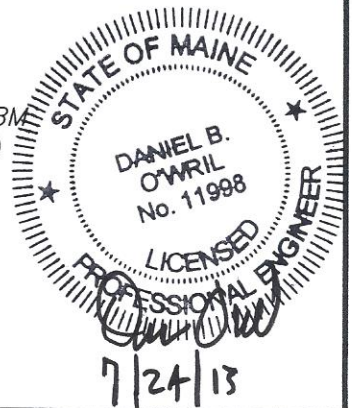


DETAIL 6
 1 1/2" = 1'-0" S-1



DETAIL 5
 1 1/2" = 1'-0" S-1



Drawn *DBO*
 Scale *NOTED*
 Date *07/24/13*

STRUCTURAL DETAILS
 FRONT PORCH REPAIR
 17 VICTORIA STREET PORTLAND, ME

S-5
 DWG 14 OF 14