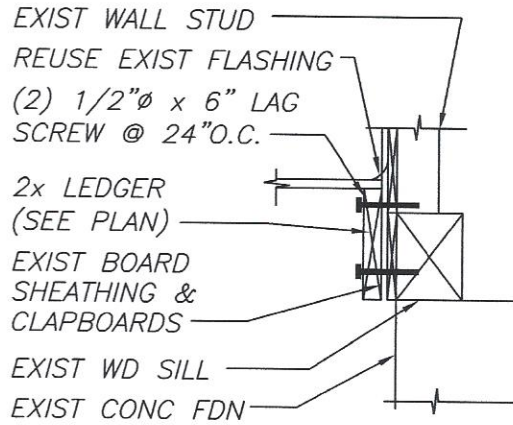
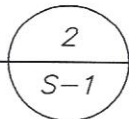
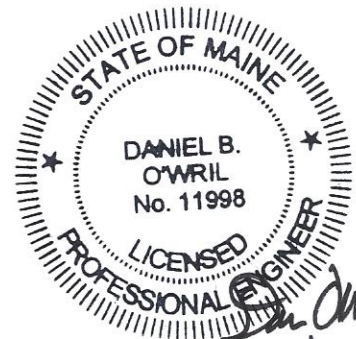
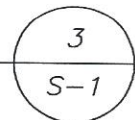


SECTION  
3/4"=1'-0"



SECTION  
3/4"=1'-0"



7/24/13

Drawn	DBO
Scale	NOTED
Date	07/24/13

STRUCTURAL DETAILS  
FRONT PORCH REPAIR  
17 VICTORIA STREET PORTLAND, ME

S-3  
DWG 12 OF 14