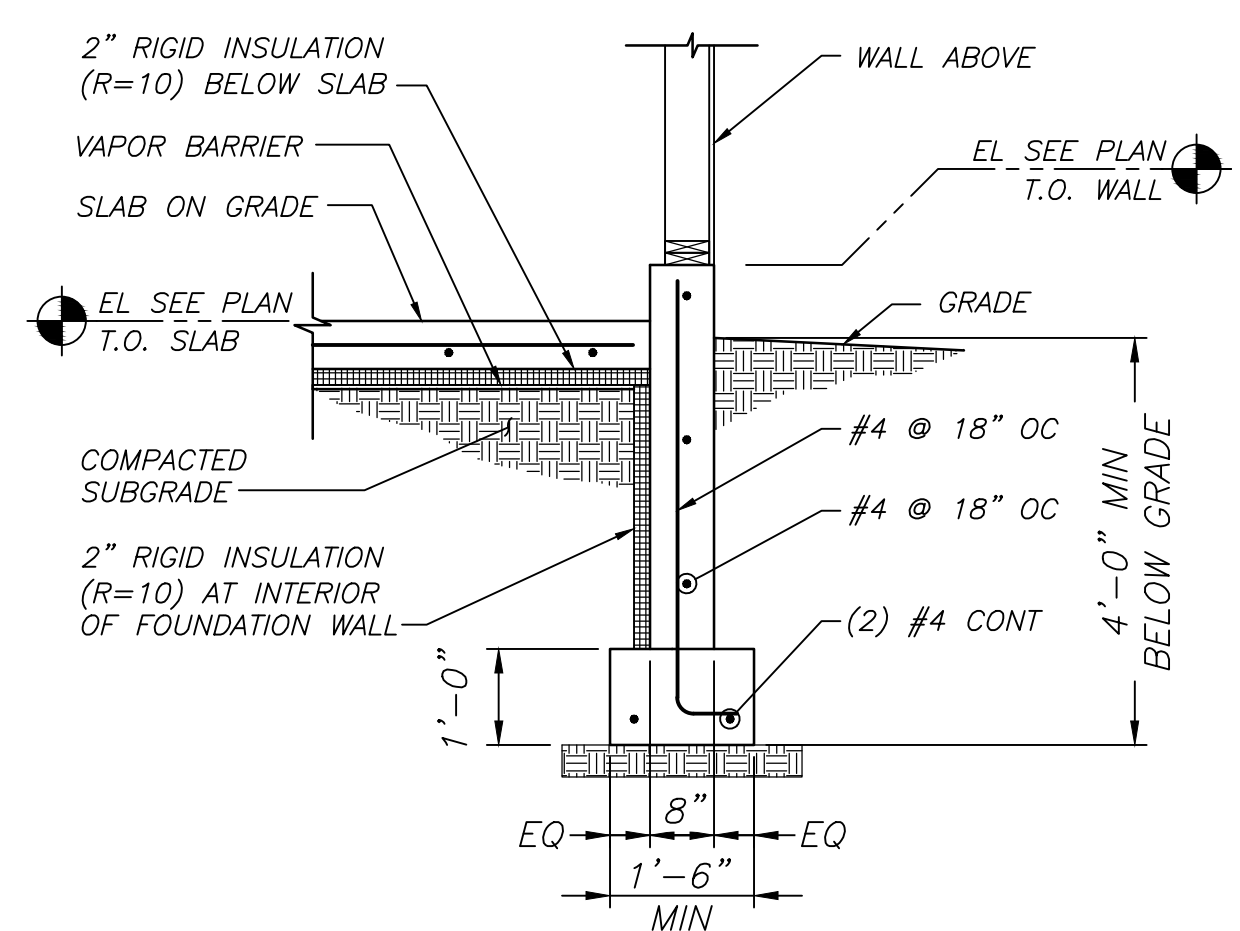


NOTES:

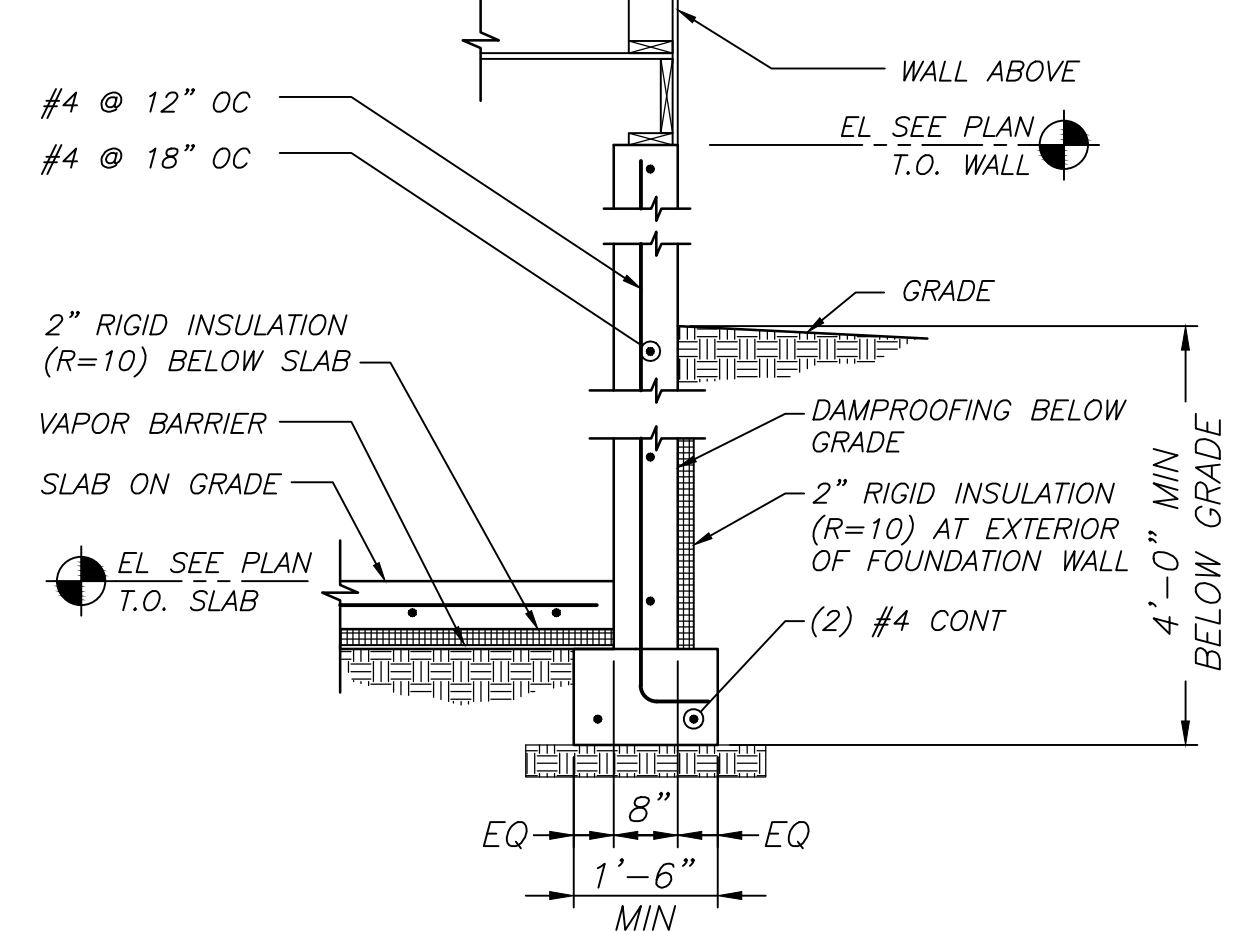
1. SEE SHEET S-001 FOR GENERAL STRUCTURAL NOTES.
2. ALL ELEVATIONS NOTED ON STRUCTURAL DRAWINGS ARE BASED ON 100'-0" REFERENCED TO EXISTING FINISHED FIRST FLOOR. SEE C-100 FOR CIVIL DATUM.
3. B.O. FOOTING ELEVATION SHALL BE 4'-0" MINIMUM FOR PROTECTION FROM FROST.

LEGEND:

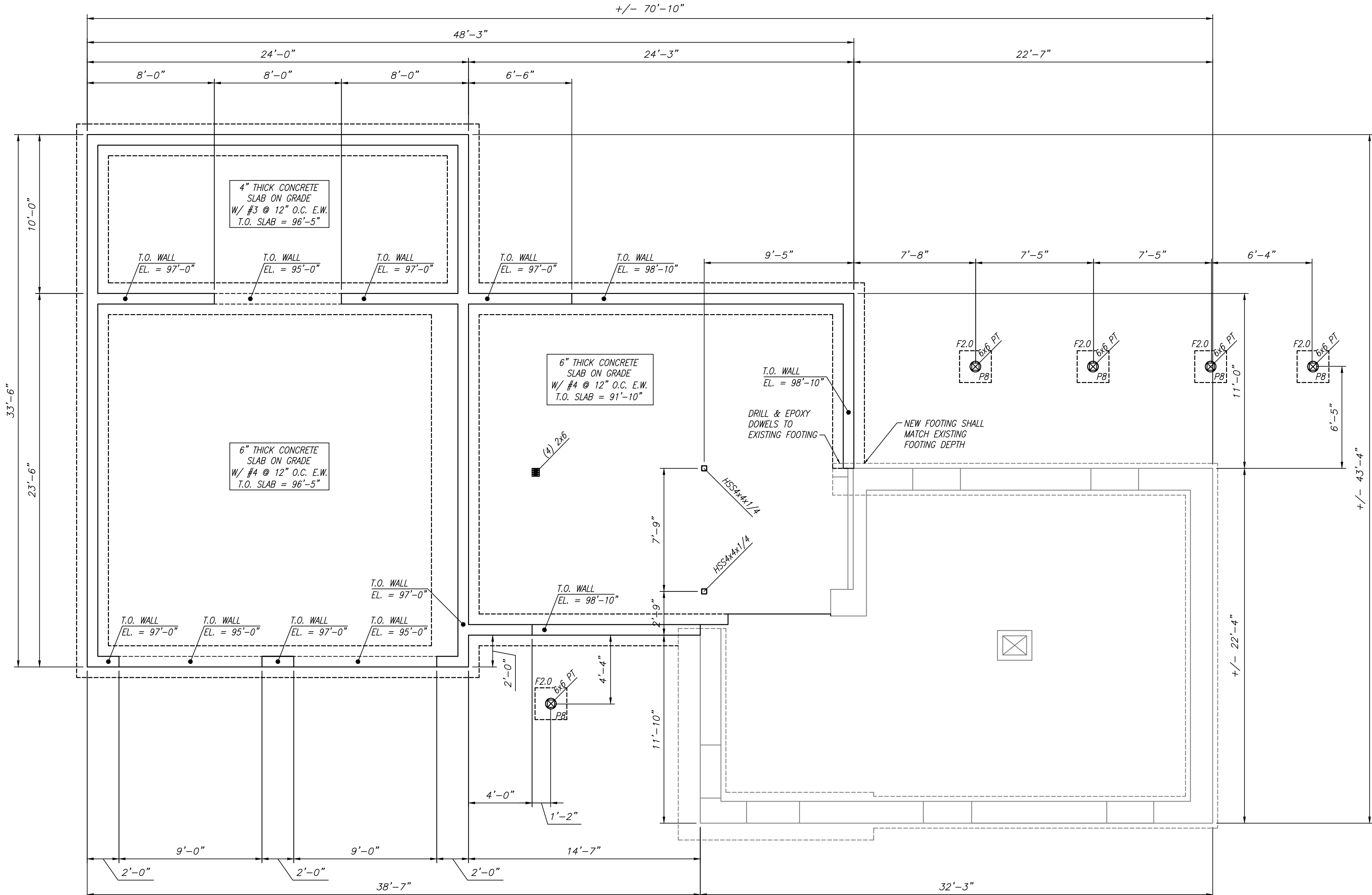
- F2.0 DENOTES 2'-0" x 2'-0" x 8" THICK FOOTING
W/ (2) #4 BARS EACH WAY BOTTOM
- P8 DENOTES 8"Ø PIER



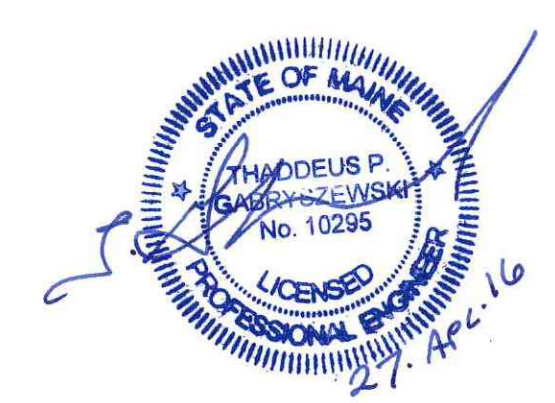
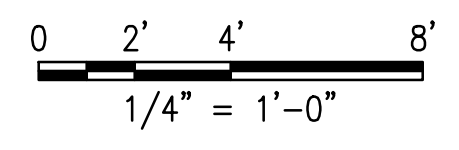
J1 TYPICAL FOUNDATION WALL SECTION
SCALE: 1/2" = 1'-0"



J5 TYPICAL FOUNDATION BASEMENT WALL SECTION
SCALE: 1/2" = 1'-0"



A1 FOUNDATION PLAN - T.O. SLAB = 91'-10" U.N.O.
SCALE: 1/4" = 1'-0"



DATE	NO	REMARKS
04/27/16	0	BUILDING PERMIT APPLICATION

GRAPHIC SCALE:
0' 2' 4' 8'
1/4" = 1'-0"

CODE: IRC 2009
TOWN: PORTLAND
DATE: APRIL 2016
SCALE: AS NOTED
DRAWN BY: JJD

TITLE:
FOUNDATION
FLOOR
PLAN

FILE: 0020101
DRAWING NO:
S-100
SHEET: 17 OF 20