

DATE	NO. REMARKS	BY	JDD
04/27/16	0		

GRAPHIC SCALE:
0" = 1"

CODE: IRC 2009
TOWN: PORTLAND
DATE: APRIL 2016
SCALE: AS NOTED
DRAWN BY: JDD

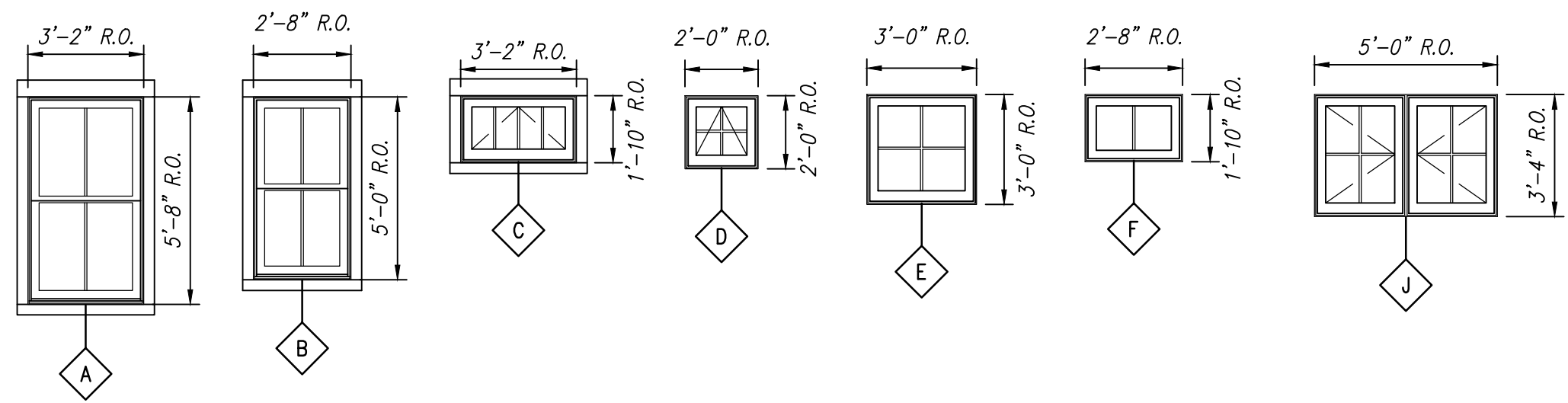
TITLE:
WINDOW & DOOR
SCHEDULES &
WALL TYPES

FILE: 0020101
DRAWING NO:
A-601
SHEET: 16 OF 20

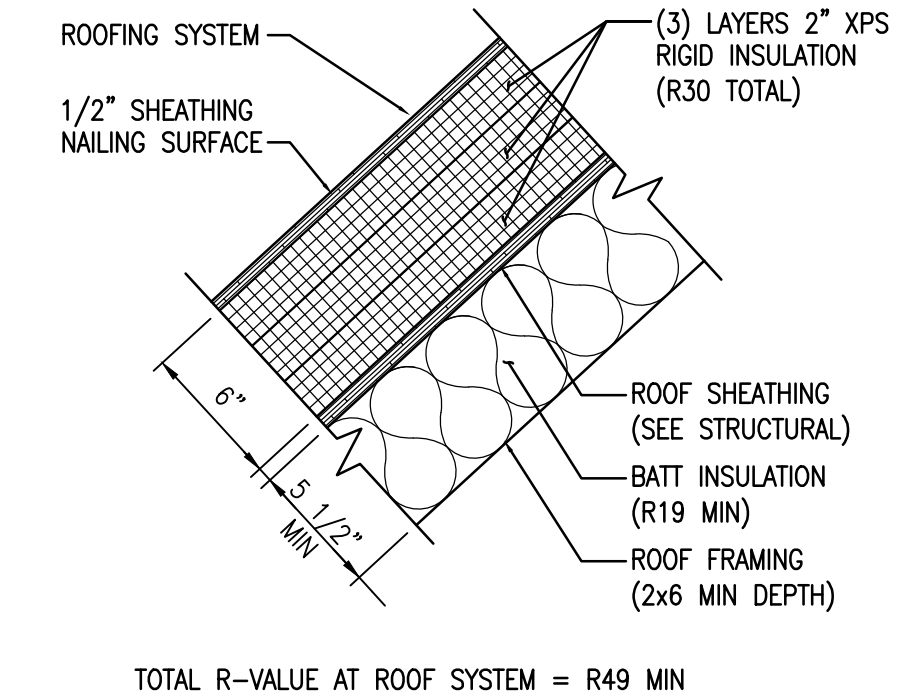
WINDOW SCHEDULE

MARK	DESCRIPTION	NOMINAL SIZE			MATERIAL	REMARKS
		WIDTH	HEIGHT	THK		
A	ADH3258	3'-2"	5'-8"	1 3/4"	WOOD	SEE NOTES
B	ADH2850	2'-8"	5'-0"	1 3/4"	WOOD	SEE NOTES
C	AAN32110	3'-2"	1'-10"	1 3/4"	WOOD	SEE NOTES
D	ANN2020	2'-0"	2'-0"	1 3/4"	WOOD	SEE NOTES
E	APW3030	3'-0"	3'-0"	1 3/4"	WOOD	SEE NOTES
F	ATF28110	2'-8"	1'-10"	1 3/4"	WOOD	SEE NOTES
J	ACW2634	2'-6"	3'-4"	1 3/4"	WOOD	SEE NOTES

NOTES:
1. U-FACTOR OF ALL WINDOWS ARE 0.29.



W1 WINDOW TYPES
SCALE: 1/4" = 1'-0"



R1 ROOF SECTION
SCALE: 1 1/2" = 1'-0"

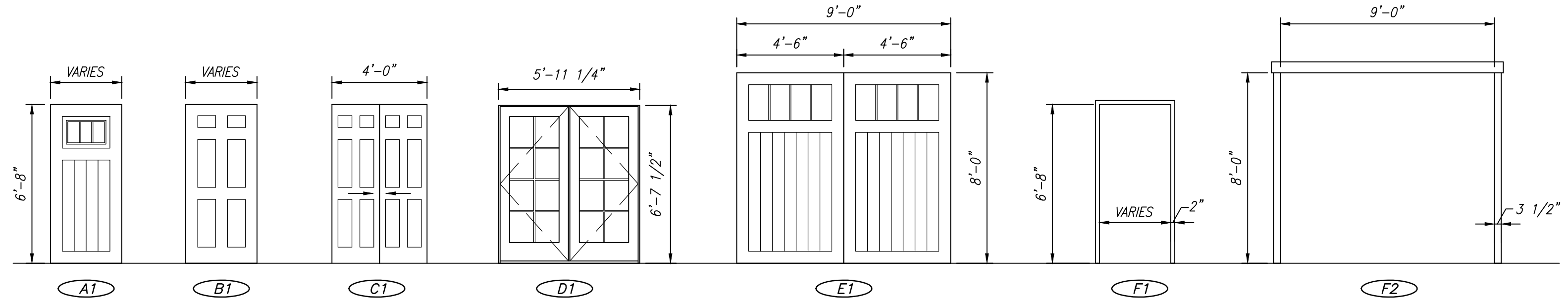
TOTAL R-VALUE AT ROOF SYSTEM = R49 MIN

DOOR SCHEDULE

MARK	DESCRIPTION	DOORS				FRAMES				REMARKS
		WIDTH	HEIGHT	THK	TYPE	MATERIAL	FIRE RATING	TYPE	MATERIAL	
FIRST FLOOR										
101	EXT. DOOR	3'-0"	6'-8"	1 3/4"	A1	WOOD	N/A	F1	WOOD	
102	EXT. DOOR	2'-8"	6'-8"	1 3/4"	A1	WOOD	N/A	F1	WOOD	
103	INT. DOOR	3'-4"	6'-8"	1 3/4"	A1	WOOD	N/A	F1	WOOD	
104	FRENCH DOOR	5'-0"	6'-8"	1 3/4"	D1	WOOD	N/A	F1	WOOD	
105	INT. DOOR GARAGE	3'-0"	6'-8"	1 3/4"	B1	WOOD	N/A	F1	WOOD	
106	INT. FIRE DOOR	3'-0"	6'-8"	1 3/4"	B1	METAL	45 MIN	F1	WOOD	
107	INT. DOOR	3'-0"	6'-8"	1 3/4"	A1	WOOD	N/A	F1	WOOD	
108	INT. FIRE DOOR	2'-8"	6'-8"	1 3/4"	B1	METAL	45 MIN	F1	WOOD	
109	INT. DOOR	3'-0"	6'-8"	1 3/4"	A1	WOOD	N/A	F1	WOOD	
110	PATIO DOOR	(2)3'-0"	6'-8"	1 3/4"	A1	WOOD	N/A	F1	WOOD	
111	POCKET DOOR	1'-6"	6'-8"	1 3/4"	B1	WOOD	N/A	F1	WOOD	
112	GARAGE OH DOOR	(2)4'-0"	8'-0"	*	E1	METAL	N/A	F2	WOOD	
113	GARAGE OH DOOR	(2)4'-0"	8'-0"	*	E1	METAL	N/A	F2	WOOD	
SECOND FLOOR										
201	INT. DOOR	3'-0"	6'-8"	1 3/4"	B1	WOOD	N/A	F1	WOOD	
202	INT. DOOR	3'-0"	6'-8"	1 3/4"	B1	WOOD	N/A	F1	WOOD	
203	SLIDING CLOSET DOORS	(2)2'-0"	6'-8"	1 3/4"	C1	WOOD	N/A	F1	WOOD	
204	SLIDING CLOSET DOORS	(2)2'-0"	6'-8"	1 3/4"	C1	WOOD	N/A	F1	WOOD	
205	SLIDING CLOSET DOORS	(2)2'-0"	6'-8"	1 3/4"	C1	WOOD	N/A	F1	WOOD	
206	INT. DOOR	3'-0"	6'-8"	1 3/4"	B1	WOOD	N/A	F1	WOOD	
207	INT. DOOR	3'-0"	6'-8"	1 3/4"	B1	WOOD	N/A	F1	WOOD	
208	CLOSET DOOR	2'-6"	6'-8"	1 3/4"	B1	WOOD	N/A	F1	WOOD	
209	CLOSET DOOR	2'-6"	6'-8"	1 3/4"	B1	WOOD	N/A	F1	WOOD	
210	INT. DOOR	3'-0"	6'-8"	1 3/4"	B1	WOOD	N/A	F1	WOOD	
211	INT. FIRE DOOR	3'-0"	6'-8"	1 3/4"	B1	METAL	45 MIN	F1	WOOD	
212	INT. FIRE DOOR	3'-0"	6'-8"	1 3/4"	B1	METAL	45 MIN	F1	WOOD	
213	EXT. FRENCH DOORS	5'-0"	6'-8"	1 3/4"	D1	WOOD	N/A	F1	WOOD	

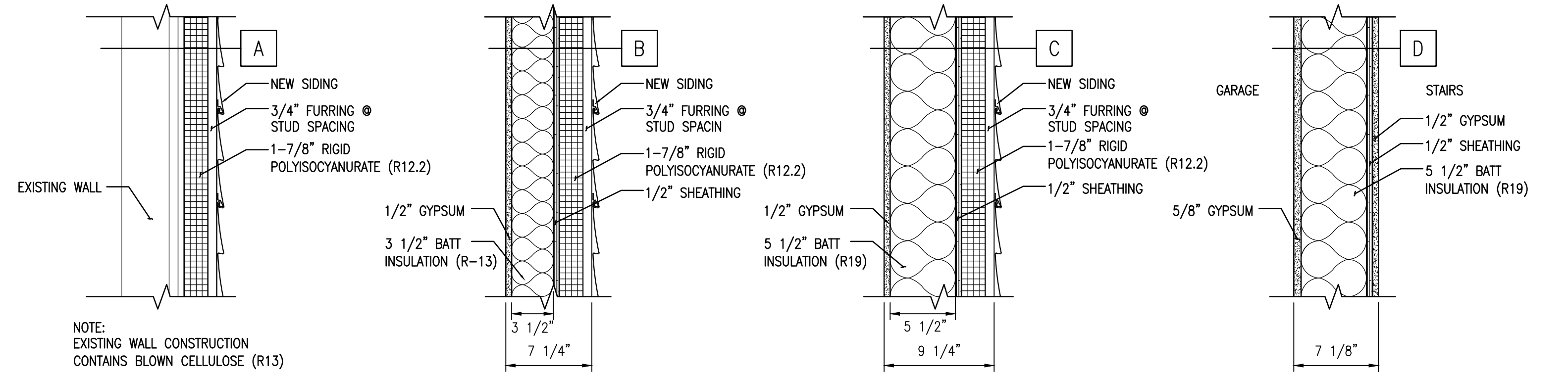
NOTES:
1. U-FACTOR OF ALL WINDOWS ARE 0.29.

ABBREVIATIONS:
INT INTERIOR
EXT EXTERIOR
OH OVER HEAD

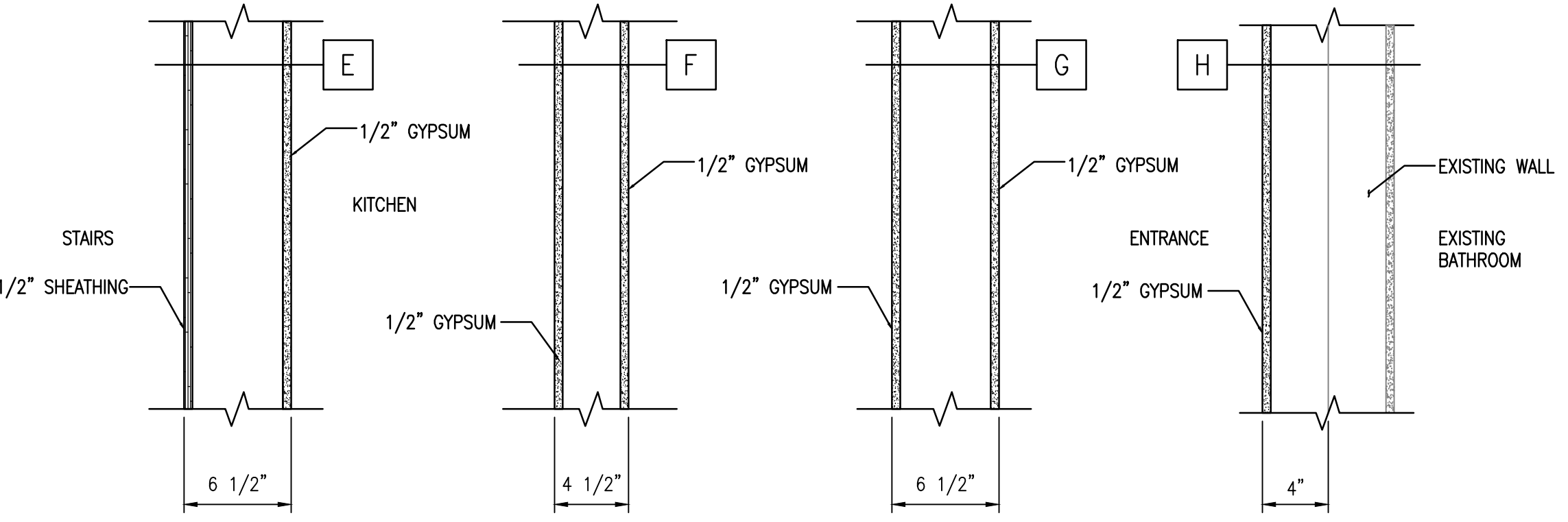


D1 DOOR TYPES
SCALE: 1/4" = 1'-0"

D2 FRAME TYPES
SCALE: 1/4" = 1'-0"



A2 EXTERIOR WALL TYPES
SCALE: 1 1/2" = 1'-0"



A1 INTERIOR WALL TYPES
SCALE: 1 1/2" = 1'-0"

