

PERMIT ISSUED

City of Portland, Maine - Building or Use Permit Application

389 Congress Street, 04101 Tel: (207) 874-8703, Fax: (207) 874-8716

Permit No: 02-1066	Issue Date: SEP 18 2002	CBL: 431 L006001
-----------------------	----------------------------	---------------------

Location of Construction: 96 Veranda St	Owner Name: Dimillo Anthony & Gail E Jts	Owner Address: 96 Veranda St	Phone: 73-8073
Business Name:	Contractor Name: P & R Excavation	Contractor Address: 16 Island Drive Windham	Phone: 2078927013
Lessee/Buyer's Name	Phone:	Permit Type: Alterations - Dwellings	Zone: R-5

Past Use: Single Family	Proposed Use: Single Family w/handicap ramp	Permit Fee: \$30.00	Cost of Work: \$500.00	CEO District: 2
		FIRE DEPT: <input type="checkbox"/> Approved <input checked="" type="checkbox"/> Denied <i>MA</i>	INSPECTION: Use Group: <i>R-3</i> Type: <i>SB</i> <i>BOA 99</i> <i>GA</i>	

Proposed Project Description:  
Add handicap ramp

Signature: \_\_\_\_\_ Date: \_\_\_\_\_

PEDESTRIAN ACTIVITIES DISTRICT (P.A.D.)

Action:  Approved  Approved w/Conditions  Denied

Signature: \_\_\_\_\_ Date: \_\_\_\_\_

Permit Taken By: gg	Date Applied For: 09/18/2002	<b>Zoning Approval</b>	
------------------------	---------------------------------	------------------------	--

<ol style="list-style-type: none"> <li>This permit application does not preclude the Applicant(s) from meeting applicable State and Federal Rules.</li> <li>Building permits do not include plumbing, septic or electrical work.</li> <li>Building permits are void if work is not started within six (6) months of the date of issuance. False information may invalidate a building permit and stop all work..</li> </ol>	<b>Special Zone or Reviews</b> <input type="checkbox"/> Shoreland <input type="checkbox"/> Wetland <input type="checkbox"/> Flood Zone <input type="checkbox"/> Subdivision <input type="checkbox"/> Site Plan Maj <input type="checkbox"/> Minor <input type="checkbox"/> MM <input type="checkbox"/> Date: <i>9/18/02</i>	<b>Zoning Appeal</b> <input type="checkbox"/> Variance <input type="checkbox"/> Miscellaneous <input type="checkbox"/> Conditional Use <input type="checkbox"/> Interpretation <input type="checkbox"/> Approved <input type="checkbox"/> Denied Date: _____	<b>Historic Preservation</b> <input checked="" type="checkbox"/> Not in District or Landmark <input type="checkbox"/> Does Not Require Review <input type="checkbox"/> Requires Review <input type="checkbox"/> Approved <input type="checkbox"/> Approved w/Conditions <input type="checkbox"/> Denied Date: <i>9/18/02</i>
---	--	---	---

CERTIFICATION

I hereby certify that I am the owner of record of the named property, or that the proposed work is authorized by the owner of record and that I have been authorized by the owner to make this application as his authorized agent and I agree to conform to all applicable laws of this jurisdiction. In addition, if a permit for work described in the application is issued, I certify that the code official's authorized representative shall have the authority to enter all areas covered by such permit at any reasonable hour to enforce the provision of the code(s) applicable to such permit.

SIGNATURE OF APPLICANT ADDRESS DATE PHONE

RESPONSIBLE PERSON IN CHARGE OF WORK, TITLE DATE PHONE

# DISPLAY THIS CARD ON PRINCIPAL FRONTAGE OF WORK CITY OF PORTLAND

Please Read Application And Notes, if Any, Attached

BUILDING DEPARTMENT

Permit Number: 021066

# PERMIT

This is to certify that Dimillo Anthony & Gail E J & R Excavation

has permission to Add handicap ramp

AT 96 Veranda St L 431 L006001

provided that the person or persons, firm or corporation accepting this permit shall comply with all of the provisions of the Statutes of Maine and of the ordinances of the City of Portland regulating the construction, maintenance and use of buildings and structures, and of the application on file in this department.

Apply to Public Works for street line and grade if nature of work requires such information.

Notification of inspection must be given and written permission procured before this building or part thereof is leased or closed-in. **HEAVY NOTICE IS REQUIRED.**

A certificate of occupancy must be procured by owner before this building or part thereof is occupied.

**PERMIT ISSUED**  
OTHER REQUIRED APPROVALS  
SEP 18 2002  
**CITY OF PORTLAND**  
Department of Building & Inspection Services

Fire Dept. \_\_\_\_\_  
Health Dept. \_\_\_\_\_  
Appeal Board \_\_\_\_\_  
Other \_\_\_\_\_

  
Director - Building & Inspection Services

**PENALTY FOR REMOVING THIS CARD**

# BUILDING PERMIT INSPECTION PROCEDURES

Please call 874-8703 or 874-8693 to schedule your inspections as agreed upon

Permits expire in 6 months, if the project is not started or ceases for 6 months.

The Owner or their designee is required to notify the inspections office for the following inspections and provide adequate notice. Notice must be called in 48-72 hours in advance in order to schedule an inspection:

By initializing at each inspection time, you are agreeing that you understand the inspection procedure and additional fees from a "Stop Work Order" and "Stop Work Order Release" will be incurred if the procedure is not followed as stated below.

\_\_\_\_\_ **Pre-construction Meeting:** Must be scheduled with your inspection team upon receipt of this permit. Jay Reynolds, Development Review Coordinator at 874-8632 must also be contacted at this time, before any site work begins on any project other than single family additions or alterations.

\_\_\_\_\_ **Footing/Building Location Inspection:** Prior to pouring concrete

\_\_\_\_\_ **Re-Bar Schedule Inspection:** Prior to pouring concrete

\_\_\_\_\_ **Foundation Inspection:** Prior to placing ANY backfill


\_\_\_\_\_ **Framing/Rough Plumbing/Electrical:** Prior to any insulating or drywalling

✓ \_\_\_\_\_ **Final/Certificate of Occupancy:** Prior to any occupancy of the structure or use. NOTE: There is a \$75.00 fee per inspection at this point.

Certificate of Occupancy is not required for certain projects. Your inspector can advise you if your project requires a Certificate of Occupancy. All projects DO require a final inspection

\_\_\_\_\_ **If any of the inspections do not occur, the project cannot go on to the next phase, REGARDLESS OF THE NOTICE OR CIRCUMSTANCES.**

\_\_\_\_\_ **CERIFICATE OF OCCUPANICES MUST BE ISSUED AND PAID FOR, BEFORE THE SPACE MAY BE OCCUPIED**

  
\_\_\_\_\_  
Signature of applicant/designee

9/18/02  
\_\_\_\_\_  
Date

  
\_\_\_\_\_  
Signature of Inspections Official

\_\_\_\_\_  
Date

CBL: 9312-6 Building Permit #: 02-1066

# All Purpose Building Permit Application

If you or the property owner owes real estate or personal property taxes or user charges on any property within the City, payment arrangements must be made before permits of any kind are accepted.

Location/Address of Construction: 96 Veranda St Portland, ME 04103		
Total Square Footage of Proposed Structure 130 sq ft.	Square Footage of Lot 22011 SF	
Tax Assessor's Chart, Block & Lot Chart# 431 Block# L Lot# 6	Owner: Anthony DiMillo & Gail E. DiMillo	Telephone: (207) 773 8073
Lessee/Buyer's Name (If Applicable) Anthony DiMillo	Applicant name, address & telephone:	Cost Of Work: \$ 500.00 → \$ 1,000.00 Fee: \$ 30.00
Current use: Home Back Deck S/F		
If the location is currently vacant, what was prior use: _____		
Approximately how long has it been vacant: _____		
Proposed use: wheel chair Ramp attached to Rear deck		
Project description:		
Contractor's name, address & telephone: P & R excavation 892 7013 16 Island Drive Windham ME 04062		
Who should we contact when the permit is ready: _____		
Mailing address: same as above		
We will contact you by phone when the permit is ready. You must come in and pick up the permit and review the requirements before starting any work, with a Plan Reviewer. A stop work order will be issued and a \$100.00 fee if any work starts before the permit is picked up. PHONE: 232 5338 Joey O'Donnell		

**IF THE REQUIRED INFORMATION IS NOT INCLUDED IN THE SUBMISSIONS THE PERMIT WILL BE AUTOMATICALLY DENIED AT THE DISCRETION OF THE BUILDING/PLANNING DEPARTMENT, WE MAY REQUIRE ADDITIONAL INFORMATION IN ORDER TO APPROVE THIS PERMIT.**

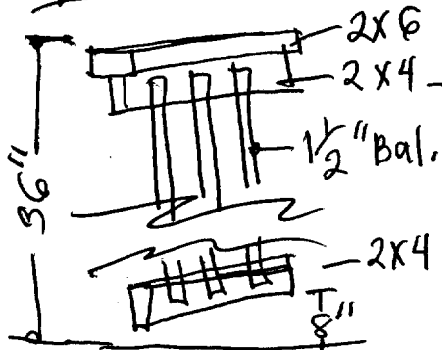
I hereby certify that I am the Owner of record of the named property, or that the owner of record authorizes the proposed work and that I have been authorized by the owner to make this application as his/her authorized agent. I agree to conform to all applicable laws of this jurisdiction. In addition, if a permit for work described in this application is issued, I certify that the Code Official's authorized representative shall have the authority to enter all areas covered by this permit at any reasonable hour to enforce the provisions of the codes applicable to this permit.

Signature of applicant: Anthony DiMillo	Date: 9/17/02
---	---------------

This is NOT a permit, you may not commence ANY work until the permit is issued. If you are in a Historic District you may be subject to additional permitting and fees with the Planning Department on the 4<sup>th</sup> floor of City Hall

R-5  
22,011 SF

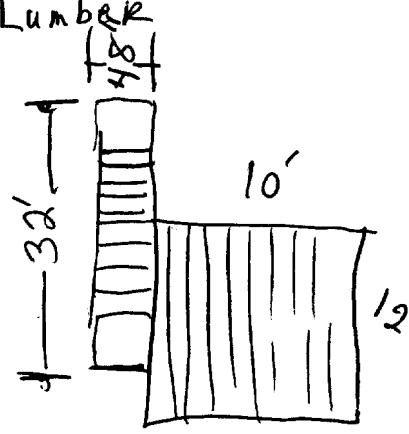
# Rail Detail



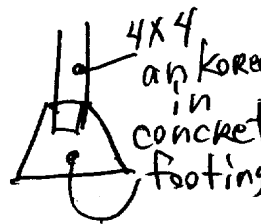
Ballisters spaced 3" apart

# Ramp Detail

all PT Lumber  
 5/4 Decking spaced 1/4"  
 Runner 2x8  
 Post 4x4



# Post Detail

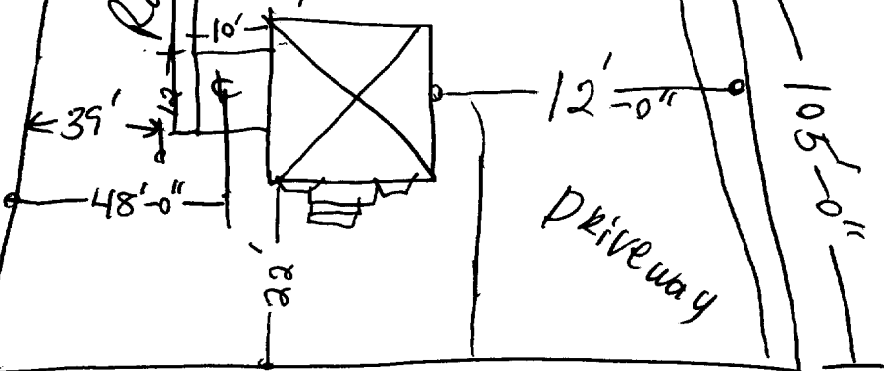


Raid Road Tracks  
 290'-0"

shed

Garage

Ramp

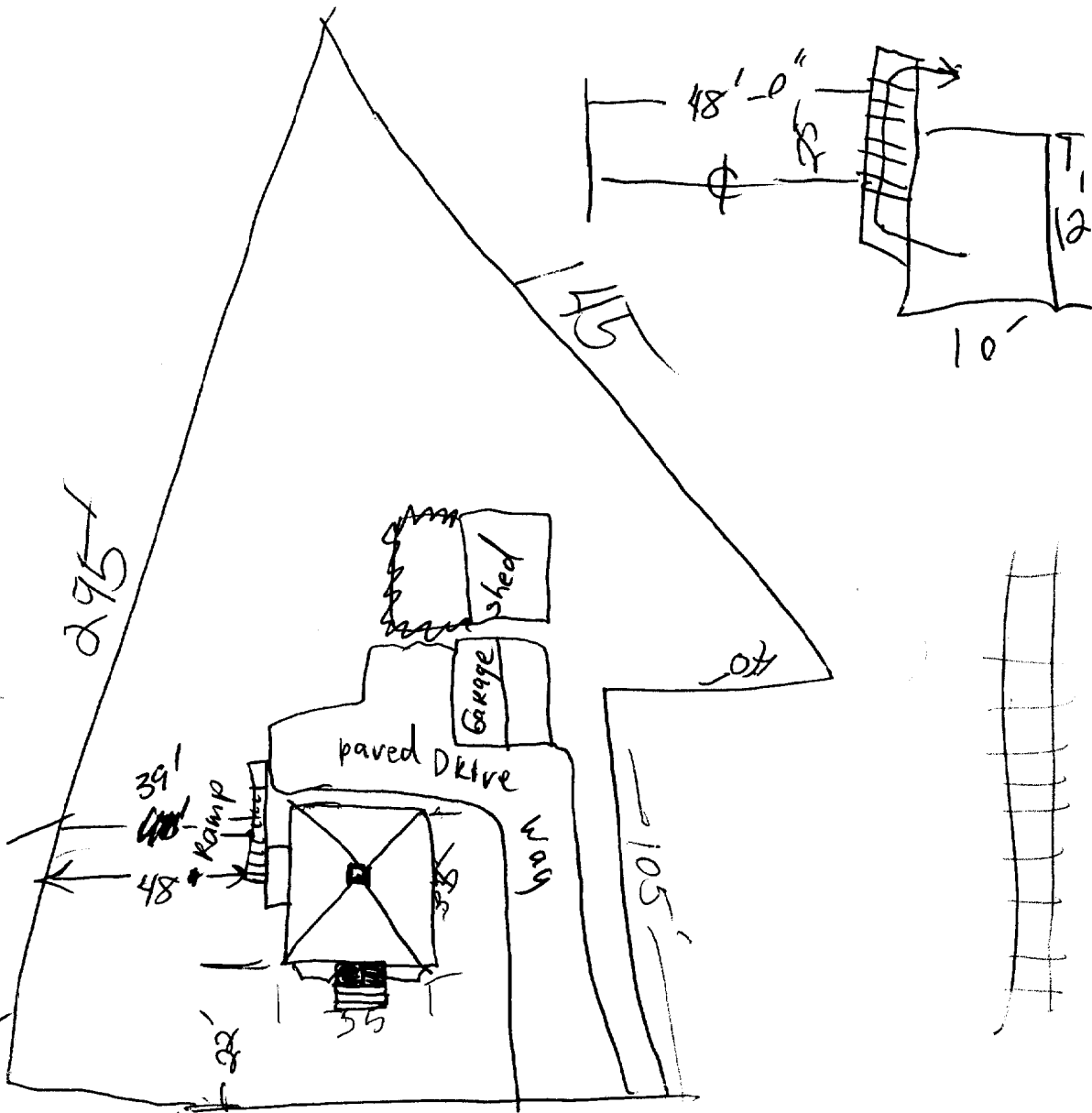


~~Attached~~  
 Not attached -  
 less than  
 200 SF -  
 No frost prot.  
 Needed.

96 Veranda St, Portland  
 125'-0"

← Veranda →

Deck



OK

R-S  
sides - 8'  
front - 20'

Veranda st.  
901

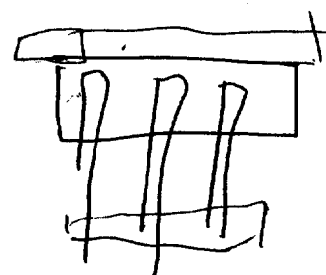
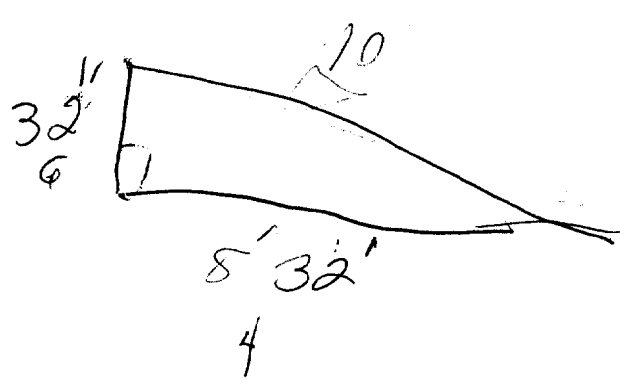
City Hall  
8748300

Gail

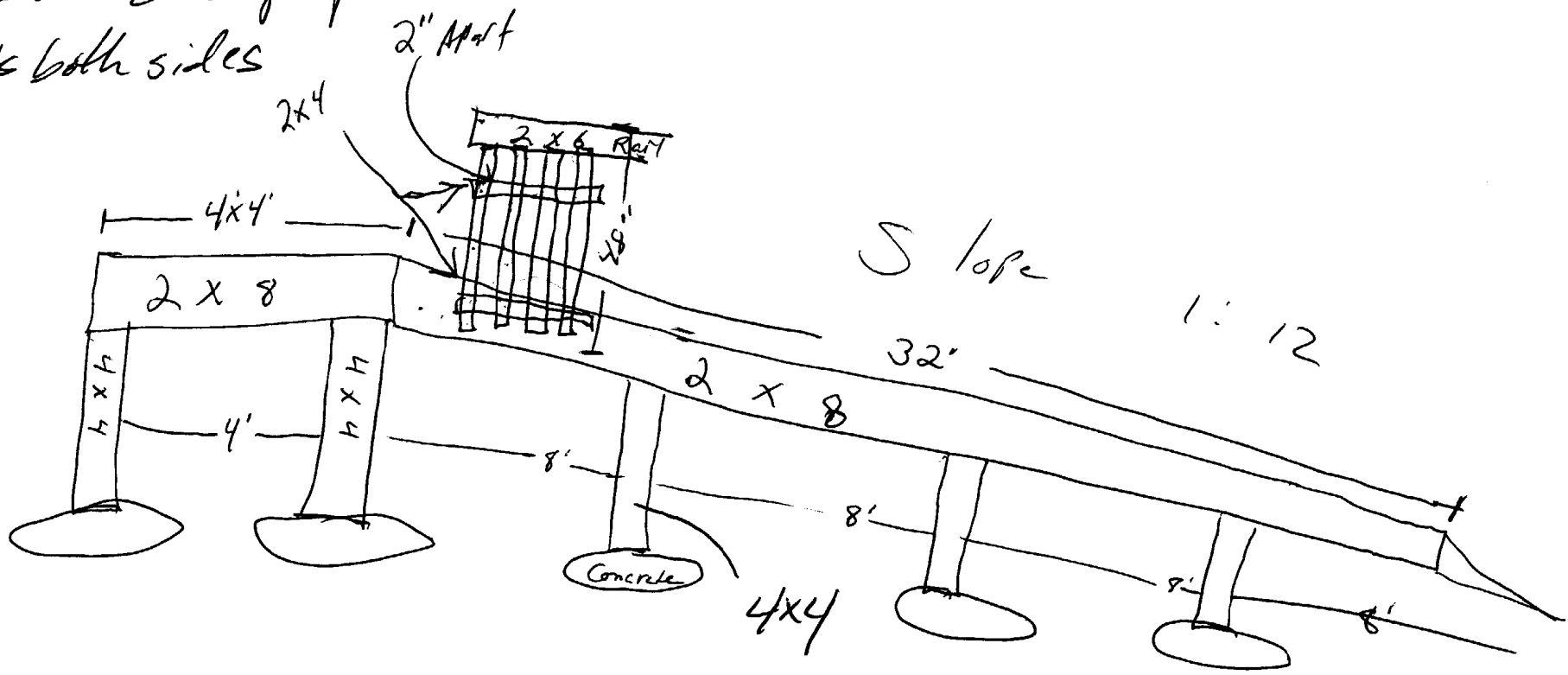
City of Portland

60  
34  
22"

68  
10



- ① Railings both sides -
- ② Will have - 2" edge protection
- ③ handrails both sides



2"x8" - 12" OC

