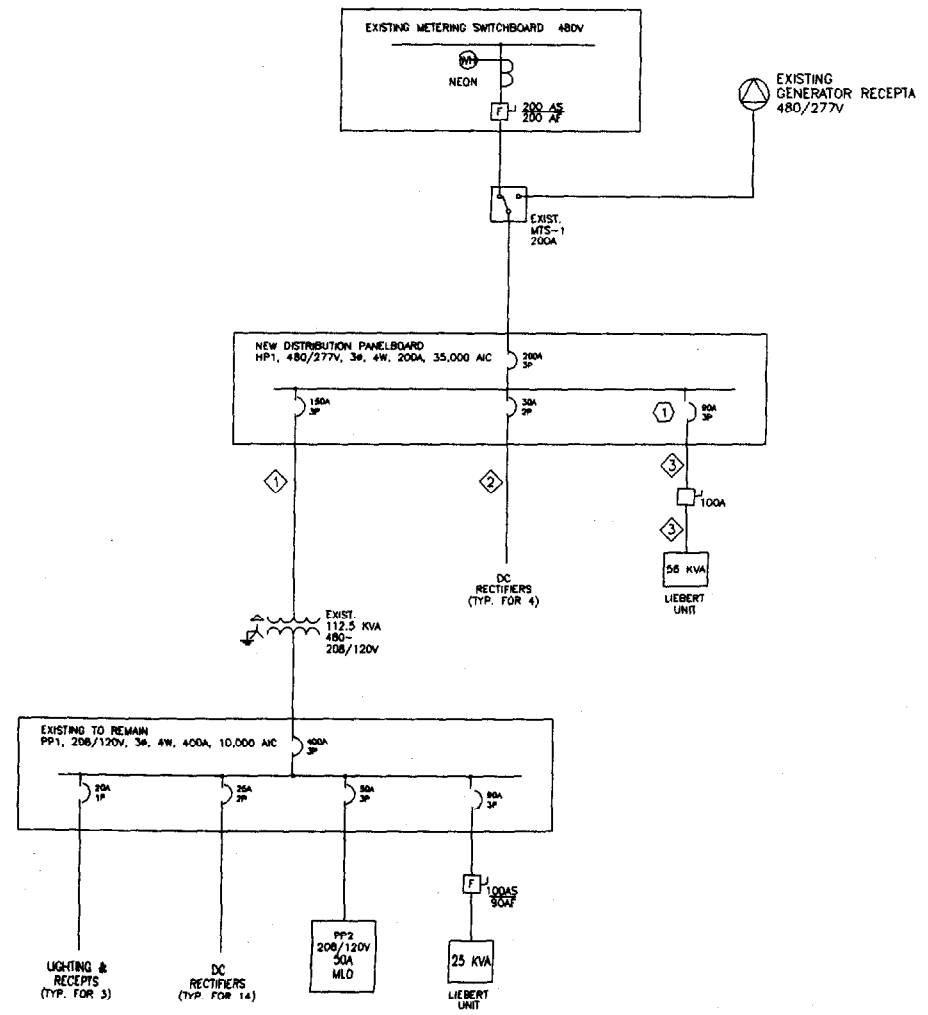


CABLE SCHEDULE	
CABLE NUMBER	DESCRIPTION
◇ 3	#1/0 AWG & #8 GND, 2" C.
◇ 4	#10 AWG & #10 GND, 3/4" C.
◇ 3	#4 AWG & #8 GND, 1" C.

A1 CABLE SCHEDULE
 NTS *

Mike Collins
 Please call
 Tom Driscoll @
 464-3706



A1 ONE-LINE DIAGRAM
 NTS *