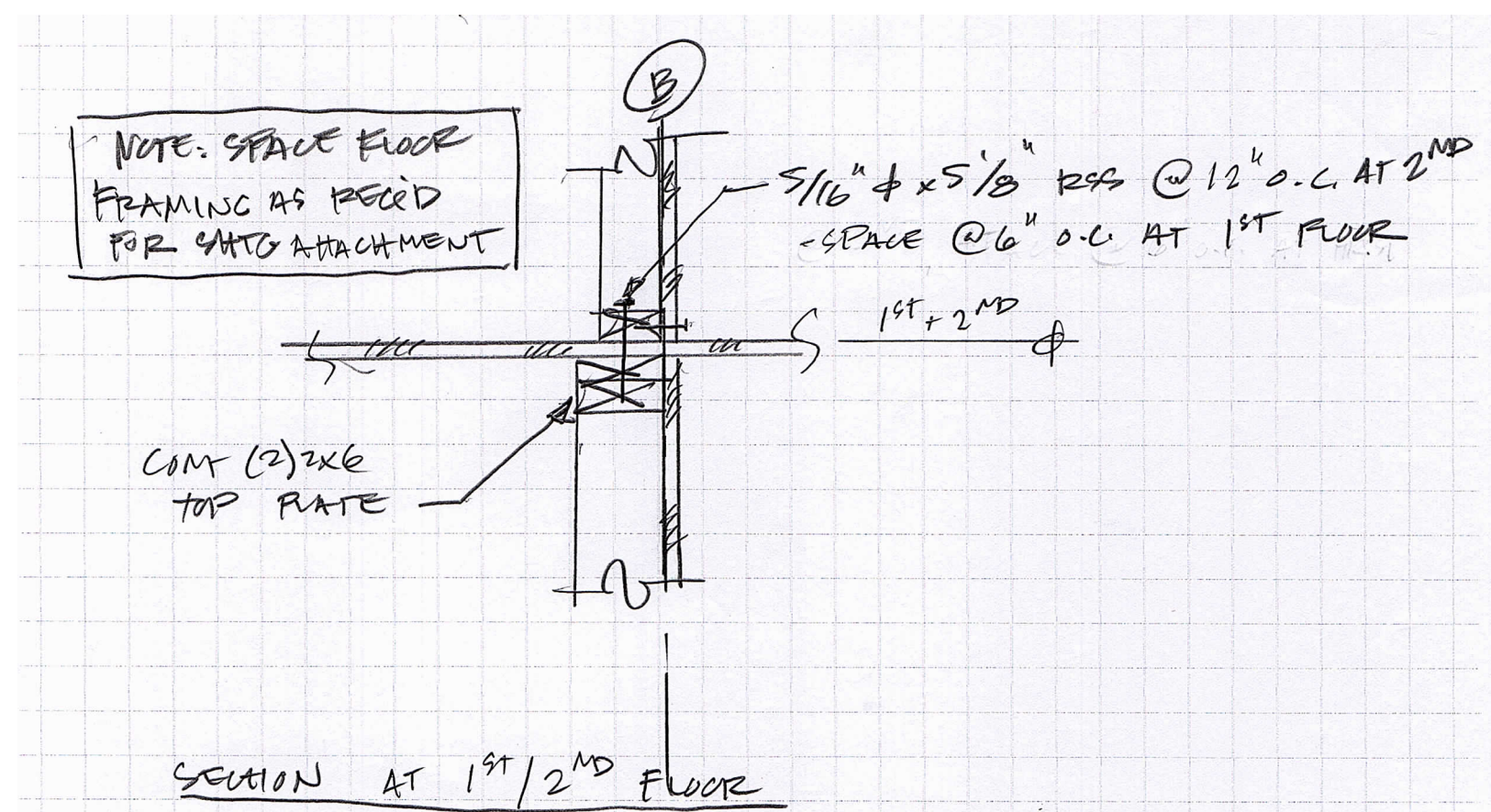
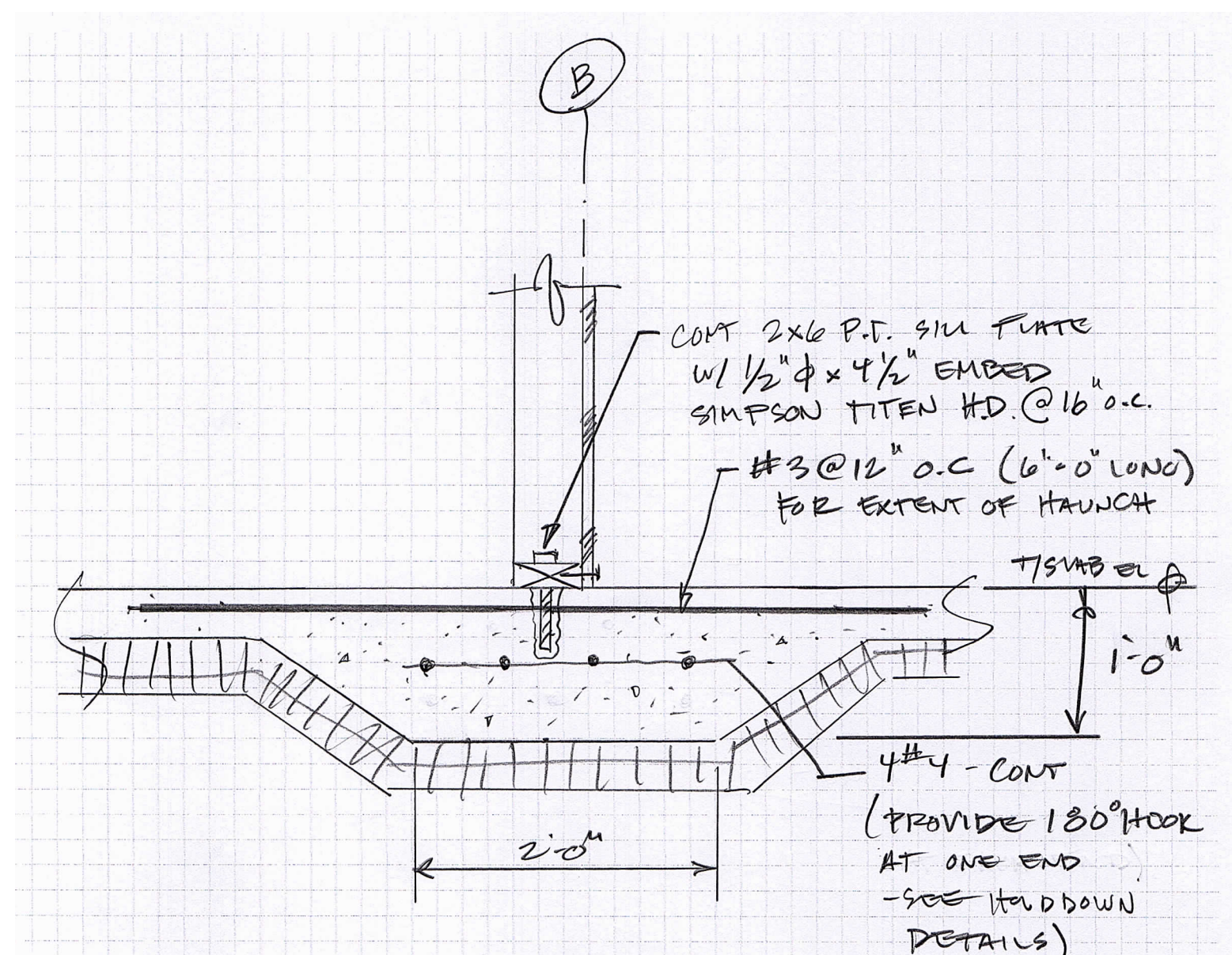


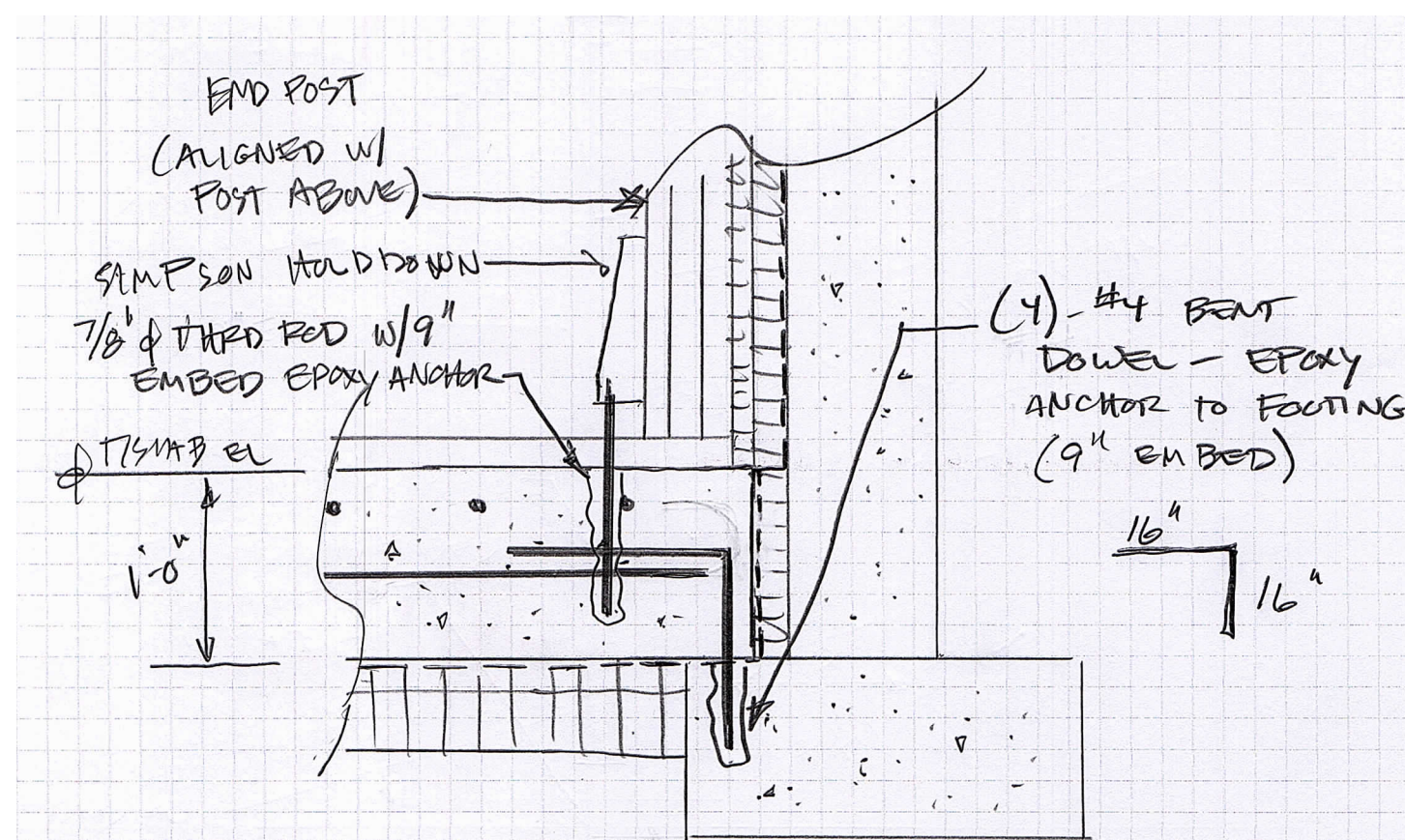
8 GRID B SHEAR WALL: ROOF



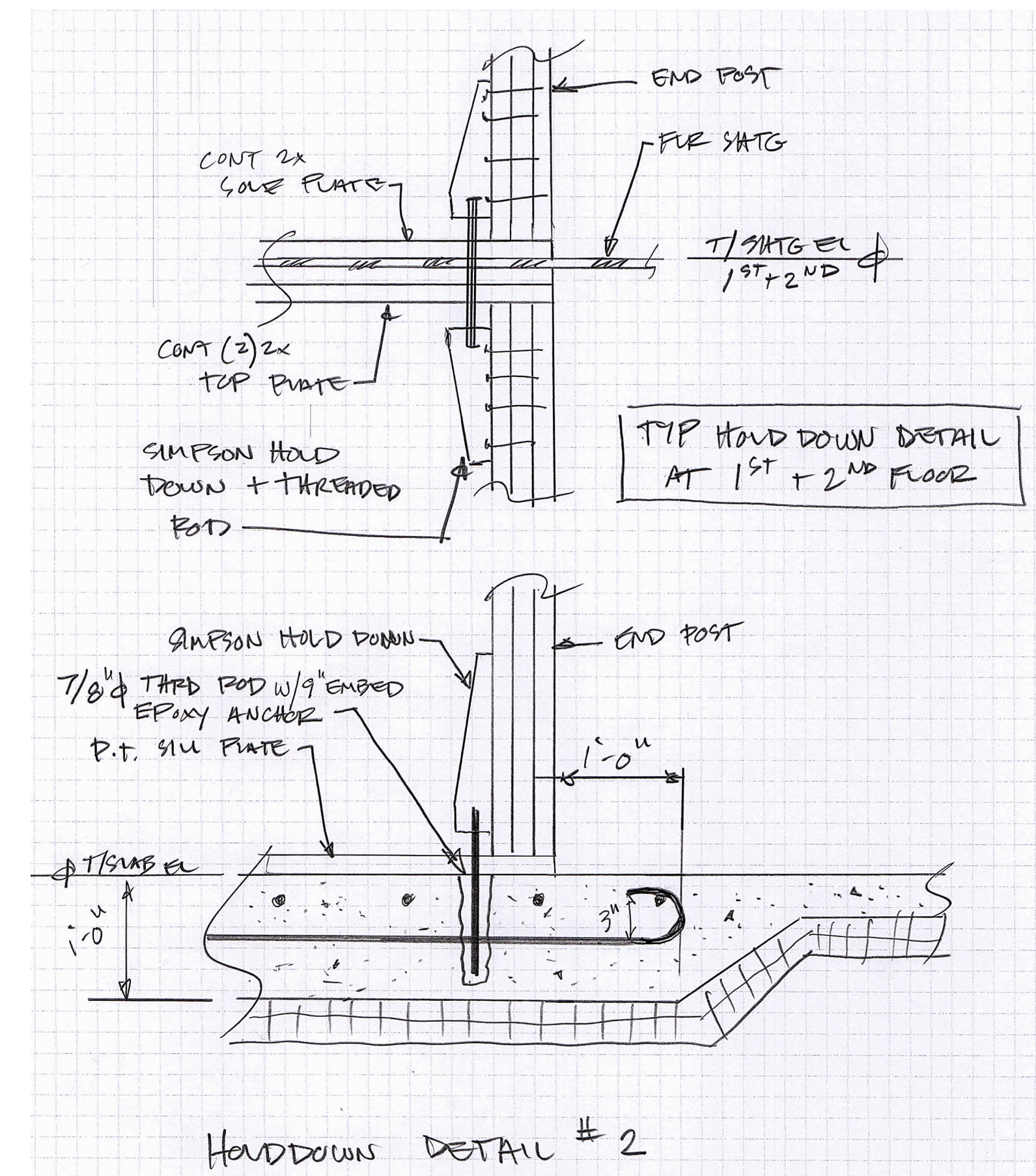
9 GRID B SHEAR WALL: FLOORS



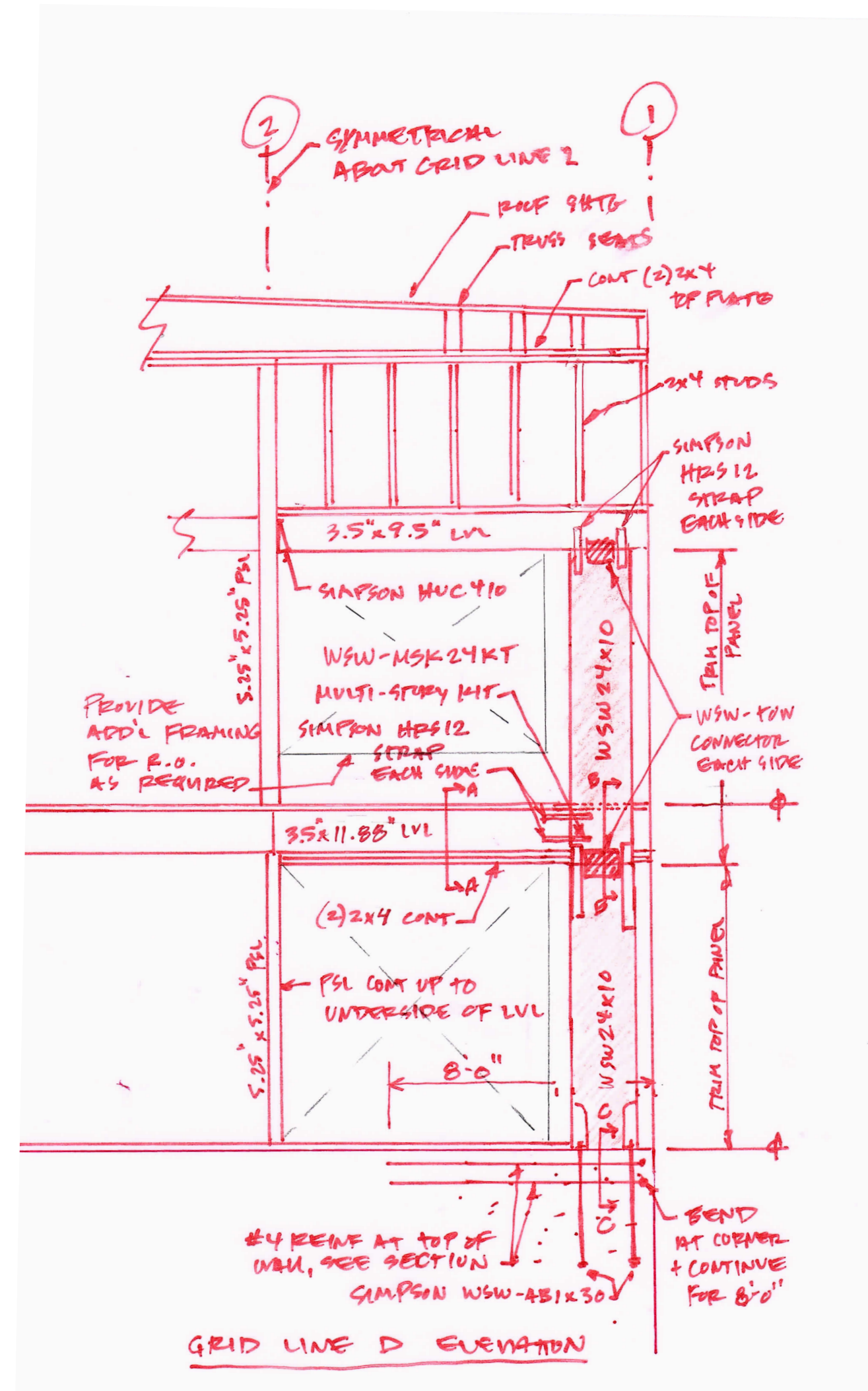
7 GRID B SHEAR WALL: THICKENED SLAB



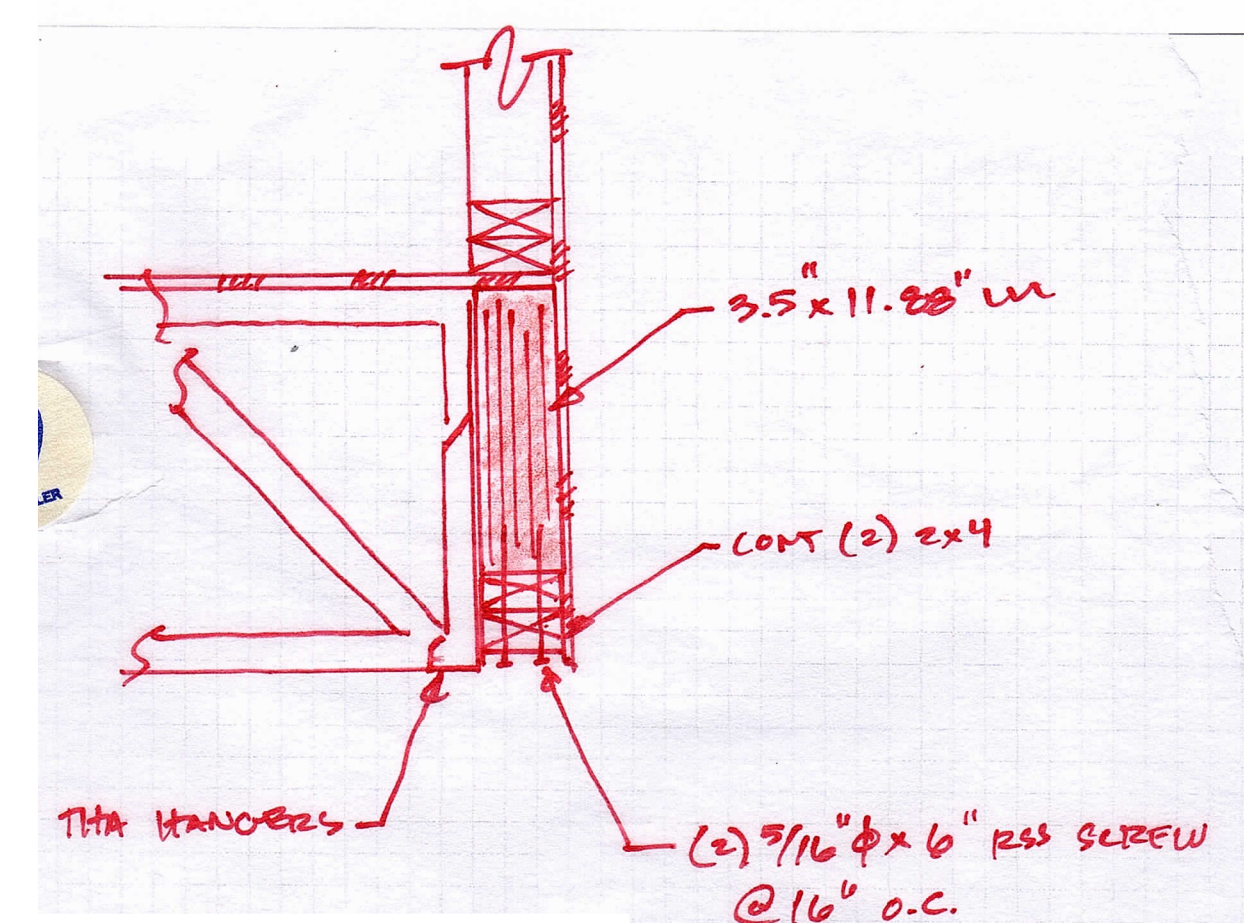
6 GRID B SHEAR WALL: THICKENED SLAB



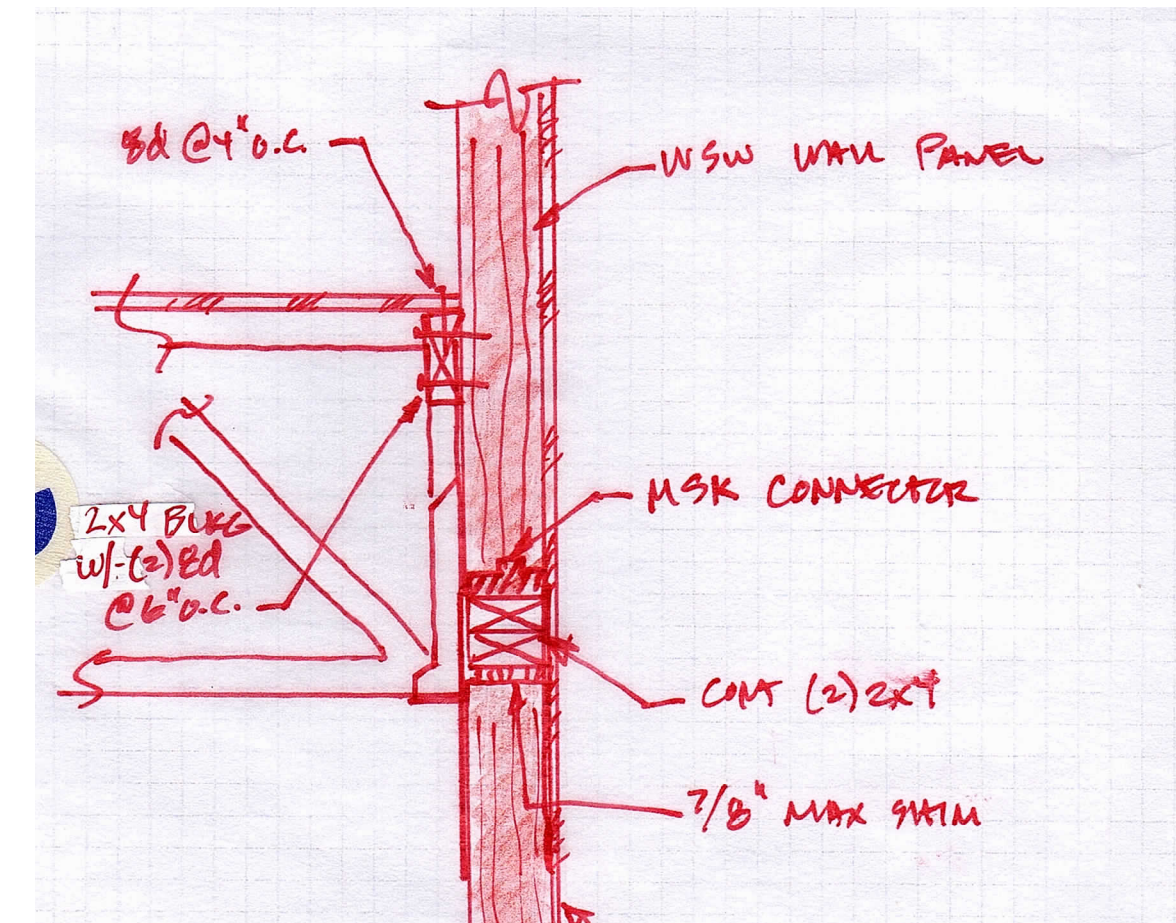
5 GRID B SHEAR WALL: THICKENED SLAB



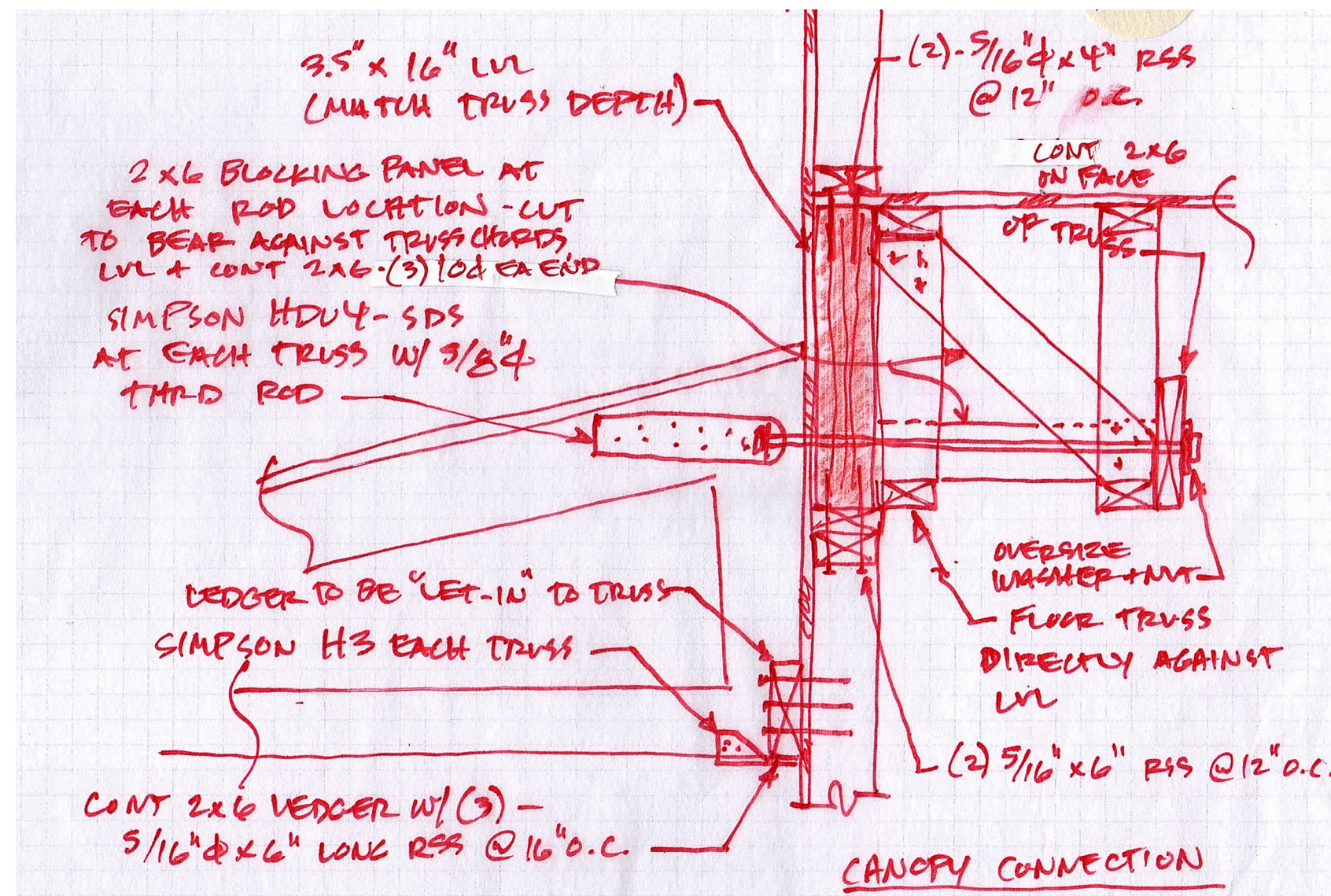
4 SHEAR PANEL ELEVATION



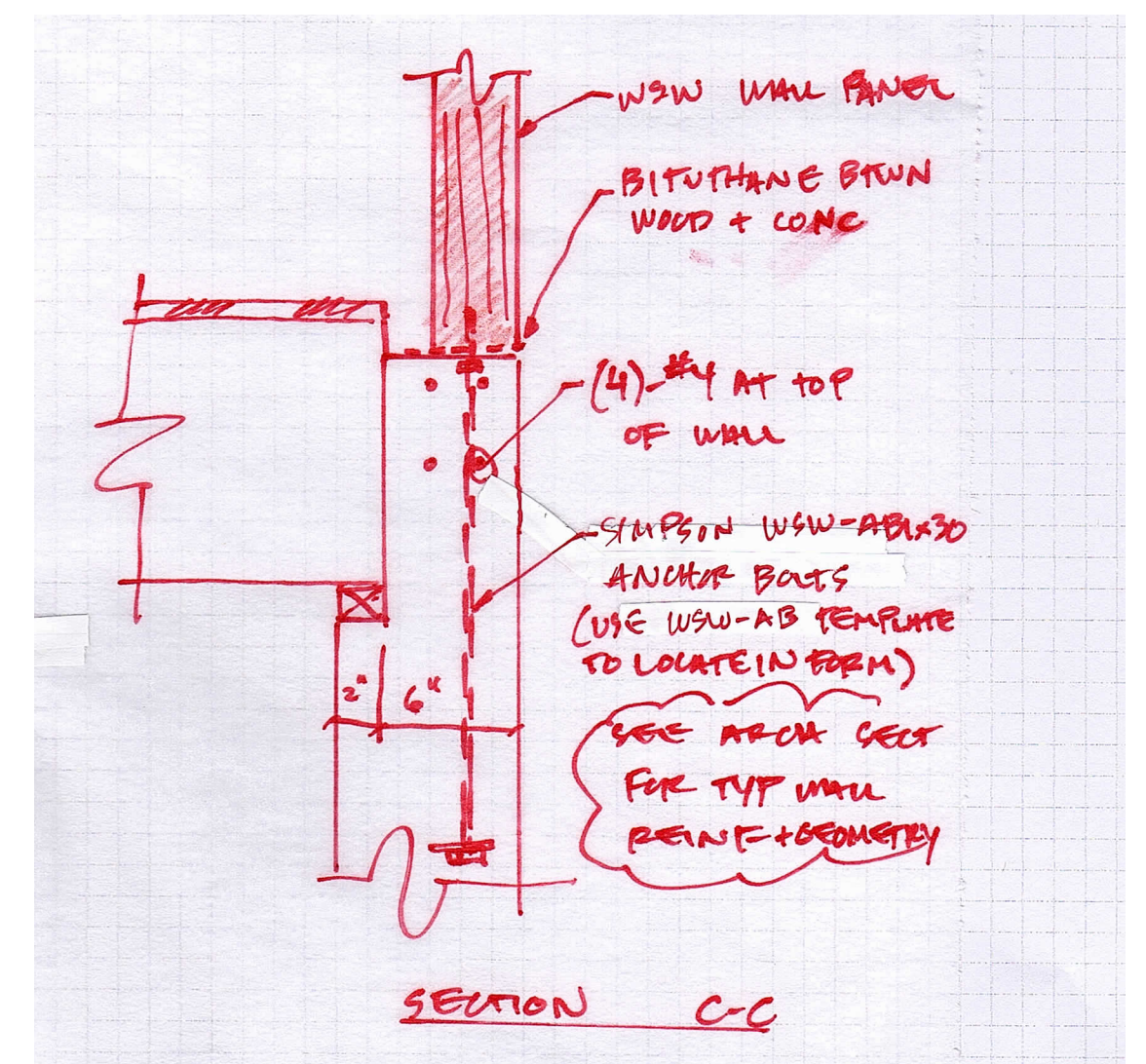
3 LVL BEAM @ WINDOW HEAD



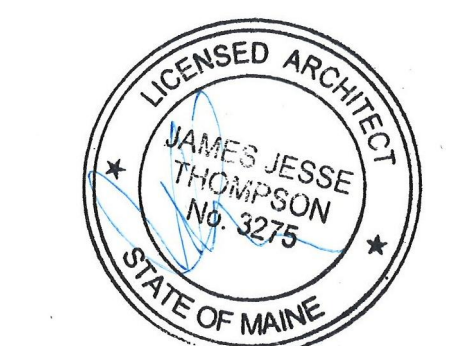
1 LVL BEAM @ SHEAR PANEL



10 CANOPY CONNECTION



2 SHEAR PANEL - FOOTING DETAIL



NOT FOR CONSTRUCTION  
PROJECT NO: RNT  
DATE: 04/25/2017  
REVISED 1:  
REVISED 2:  
DRAWN BY: JJT/CA  
PHASE: PERMIT SET