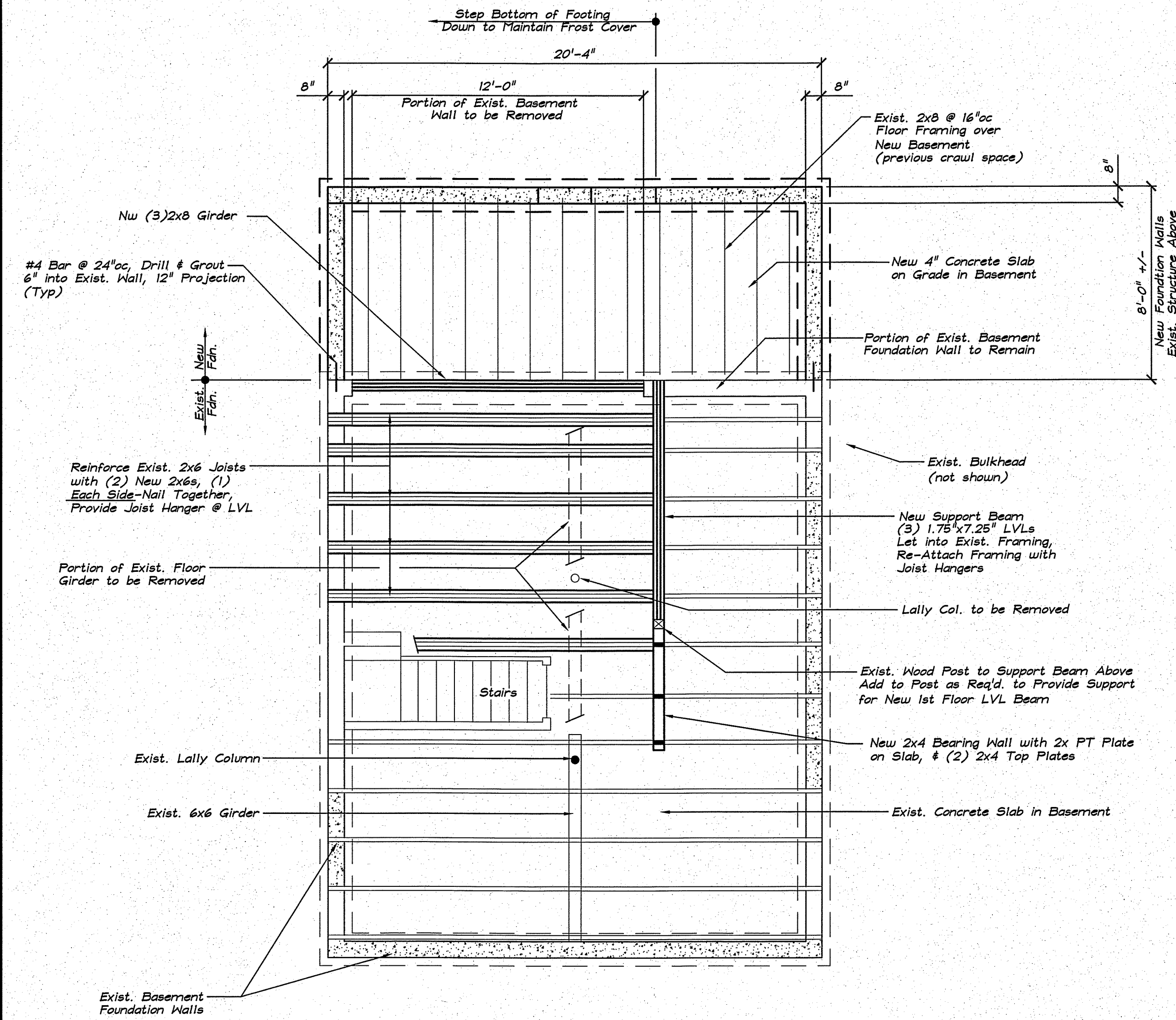


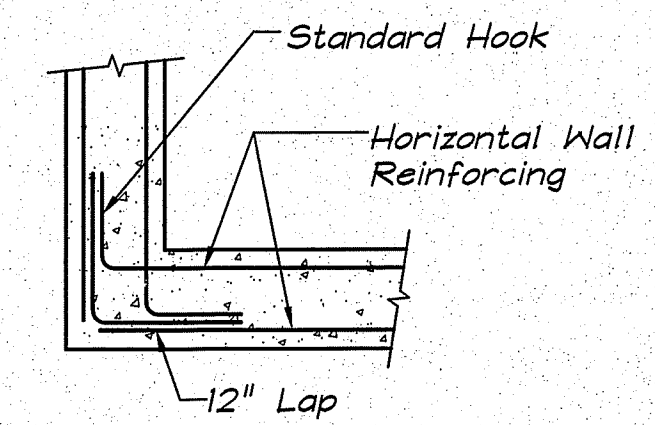
SECOND FLOOR / LOW ROOF FRAMING PLAN
 SCALE: 1/4" = 1'-0" Existing Conditions



FIRST FLOOR FRAMING / FOUNDATION PLAN
 SCALE: 1/4" = 1'-0" Proposed Conditions

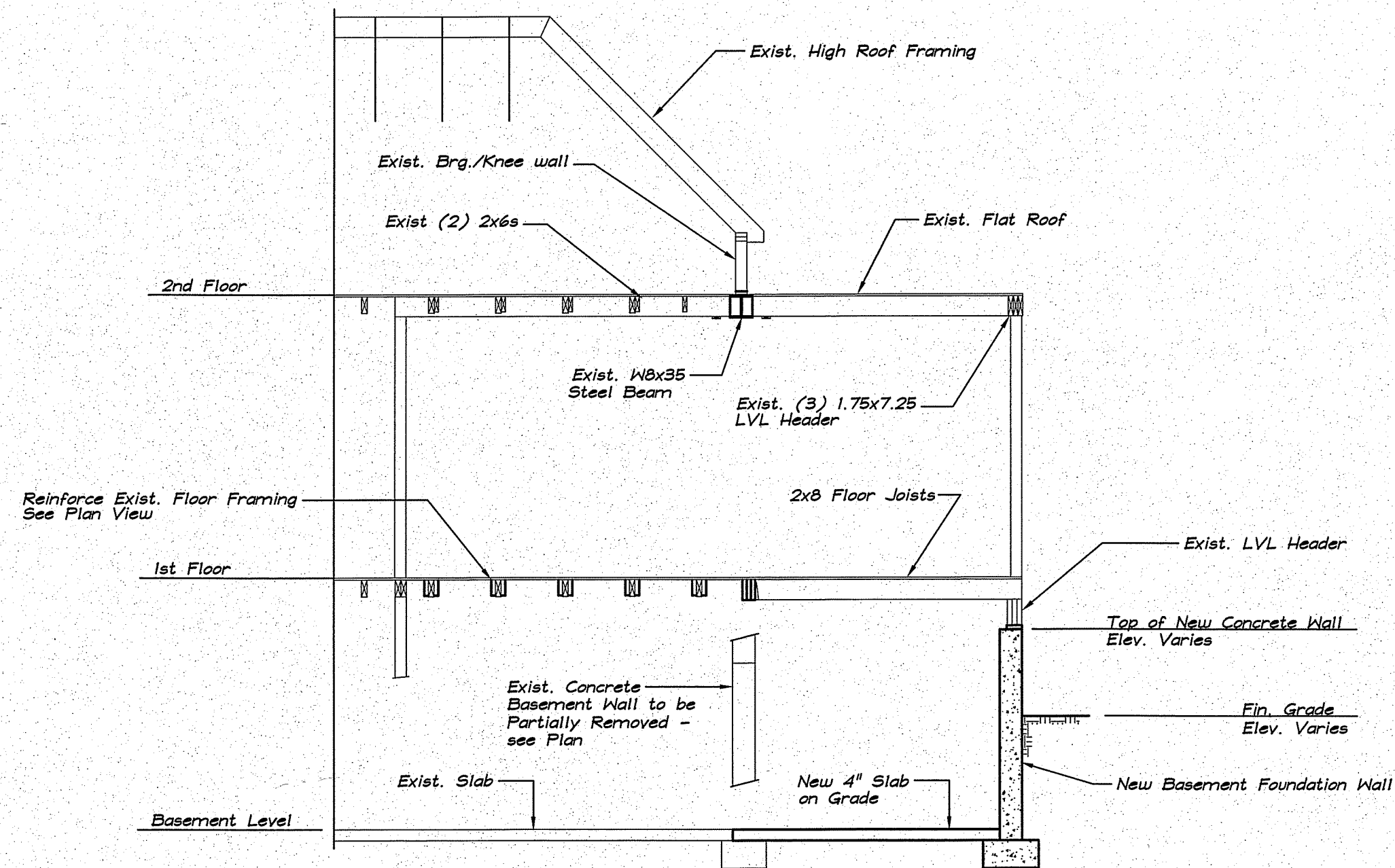
NOTES:

1. CONCRETE COMPRESSIVE STRENGTH AT 28 DAYS SHALL BE 3000 PSI, MAXIMUM SIZE AGGREGATE SHALL BE 3/4".
2. REINFORCING BARS SHALL CONFORM TO ASTM A615 GRADE 60.
3. ALL DIMENSIONS AND CONDITIONS MUST BE VERIFIED IN THE FIELD. NOTIFY ENGINEER OF ANY DISCREPANCIES PRIOR TO PROCEEDING WITH THE WORK.
4. THE STRUCTURE IS DESIGNED TO BE SELF SUPPORTING AND STABLE AFTER THE BUILDING IS COMPLETE. IT IS THE CONTRACTOR'S SOLE RESPONSIBILITY TO DETERMINE ERECTION PROCEDURES AND SEQUENCE TO ENSURE SAFETY OF THE STRUCTURE AND PERSONNEL DURING ERECTION.
5. CONTRACTOR SHALL BE RESPONSIBLE FOR DESIGN, INSTALLATION, AND FINAL CLEARANCE OF ANY NEEDLING, SHORING, OR BRACING OF EXISTING STRUCTURES.

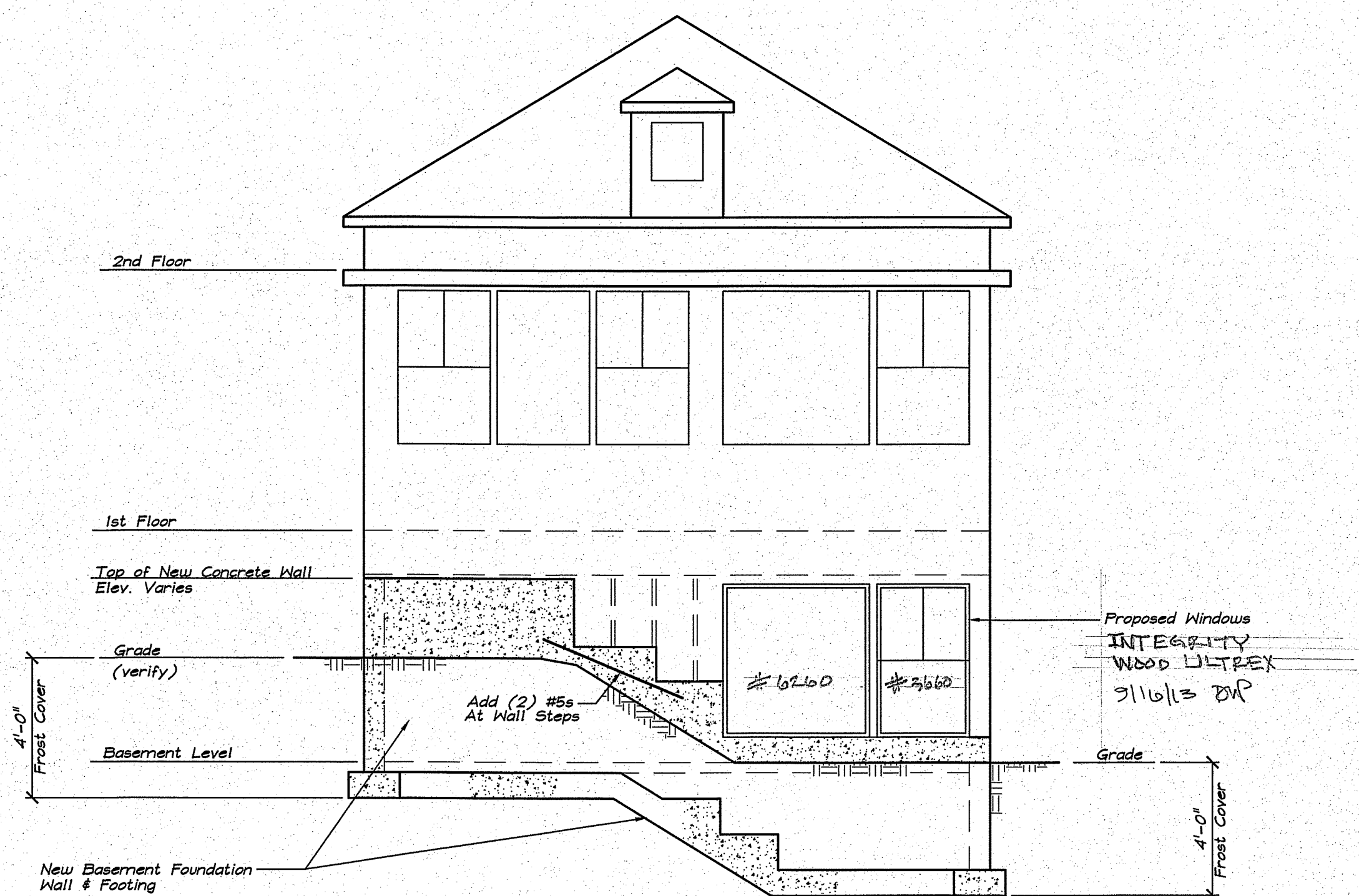


Plan - Reinforcing at Corners

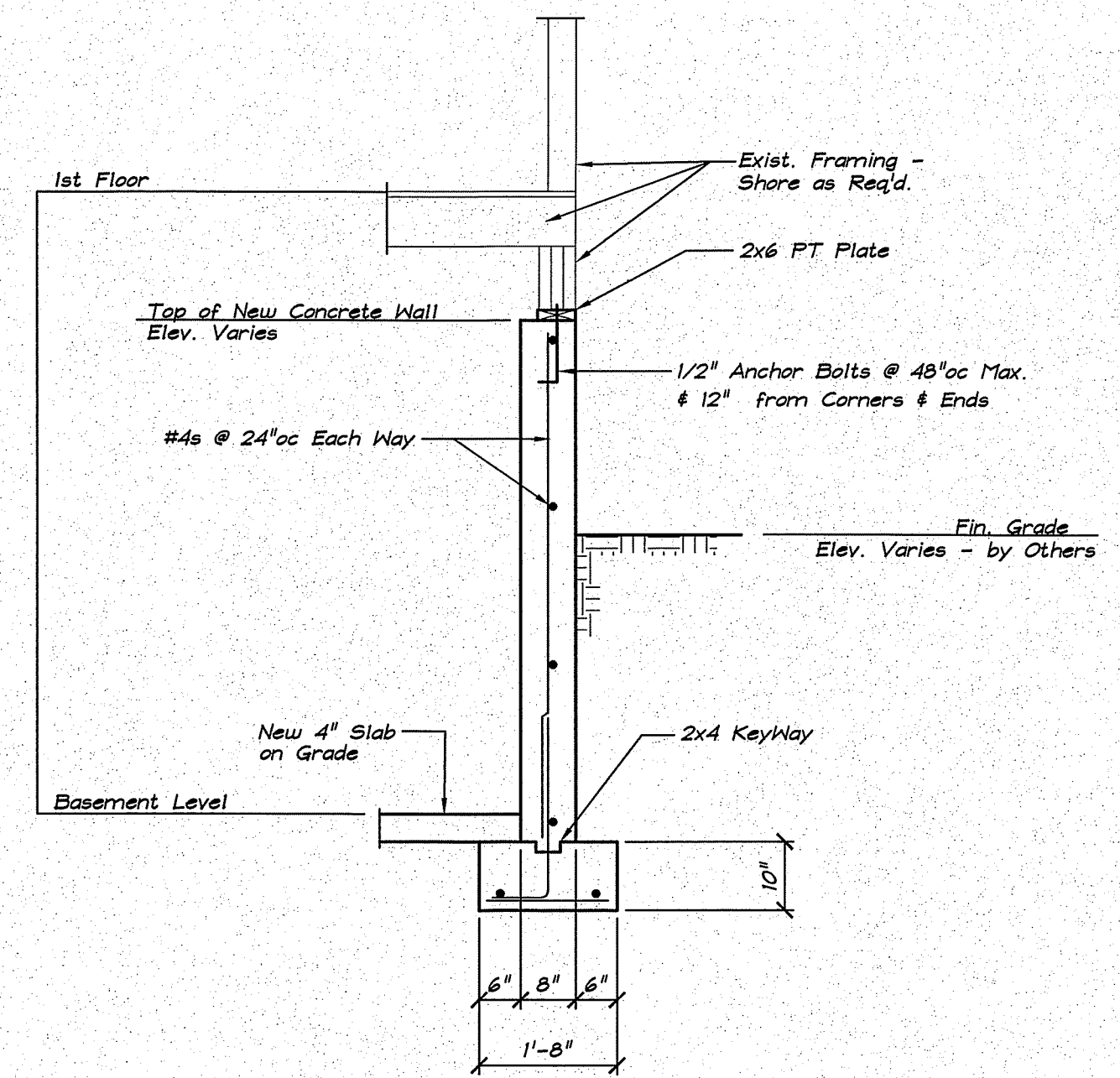
DETAIL - WALL REINFORCING
 Not to Scale



SECTION 1
 SCALE: 1/4" = 1'-0"



FRONT ELEVATION (TOWARD BAY)
 SCALE: 1/4" = 1'-0"



DETAIL A
 SCALE: 1/2" = 1'-0"