

PORT & GUTZ
ARCHITECTURE

55 NEWBURY STREET
PORTLAND, ME 04101
fax 207.751.9000
info@portandgutz.com

CONSULTANTS

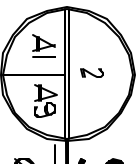
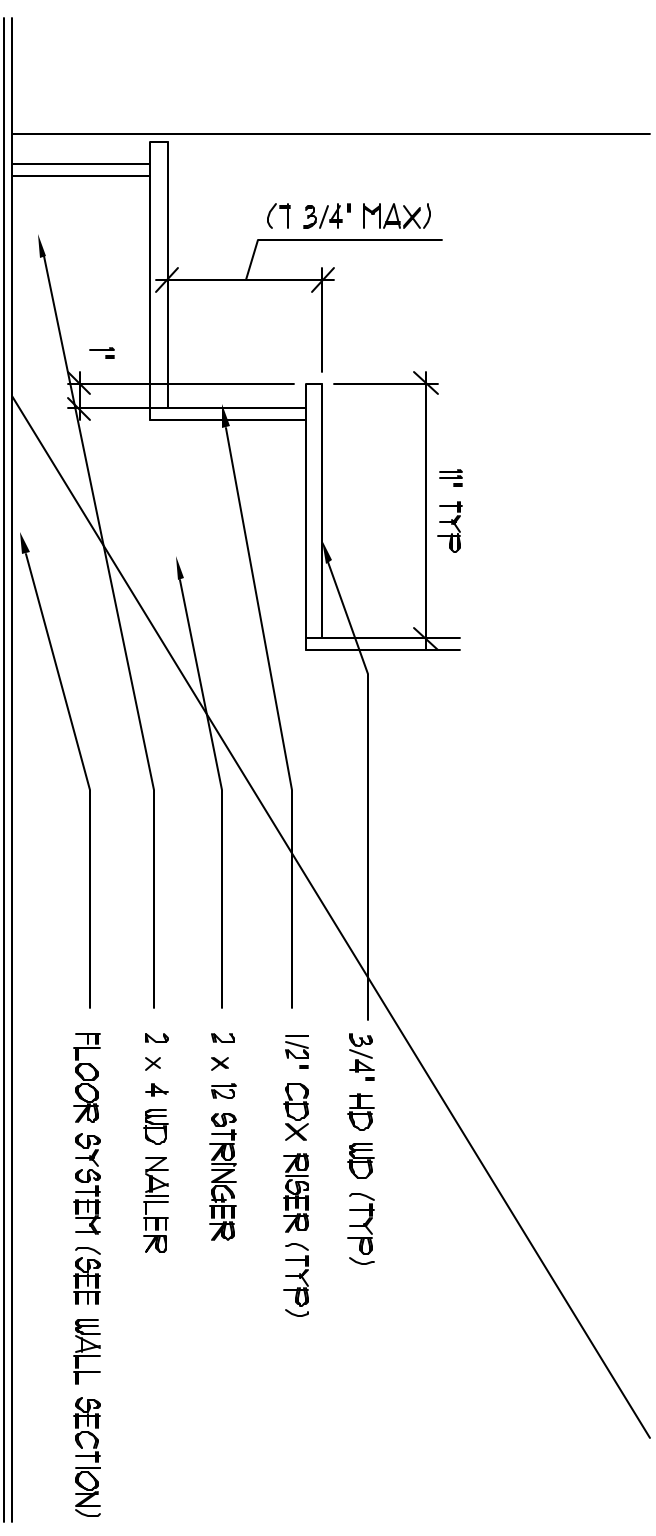
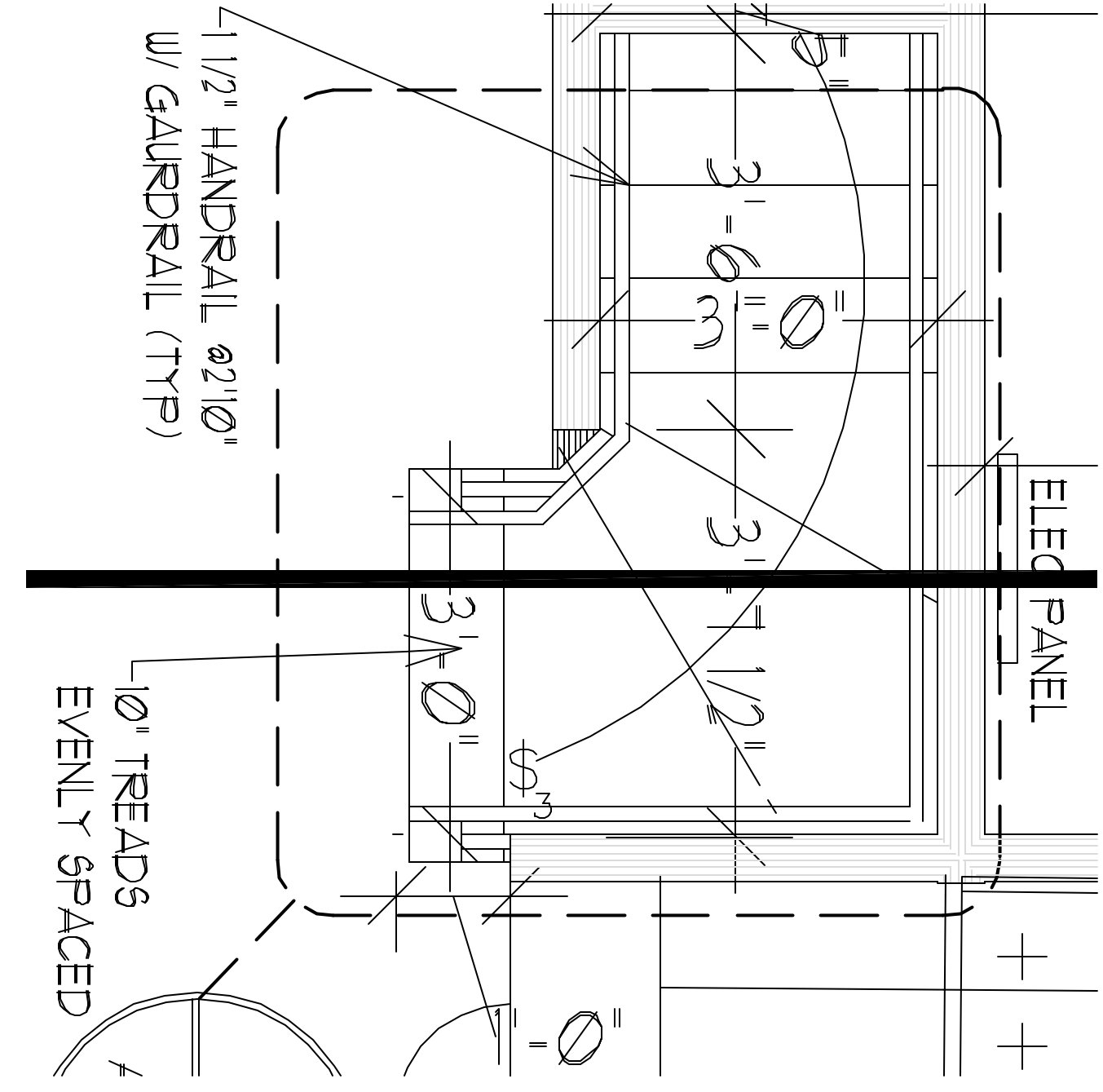
Zukowski & Epstein
Residence
52 Berwick
Portland, Maine

NO.	DATE	DESCRIPTION	DESIGN REVIEW
1			

Date Issued: December 14, 2005
Project Number: 050205

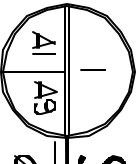
STAIR PLAN

Drawn By: LAG
Checked By: LAG
A11



STAIR DETAIL

SCALE: 1/2" = 1'-0"



STAIR DETAIL

SCALE: 3/4" = 1'-0"