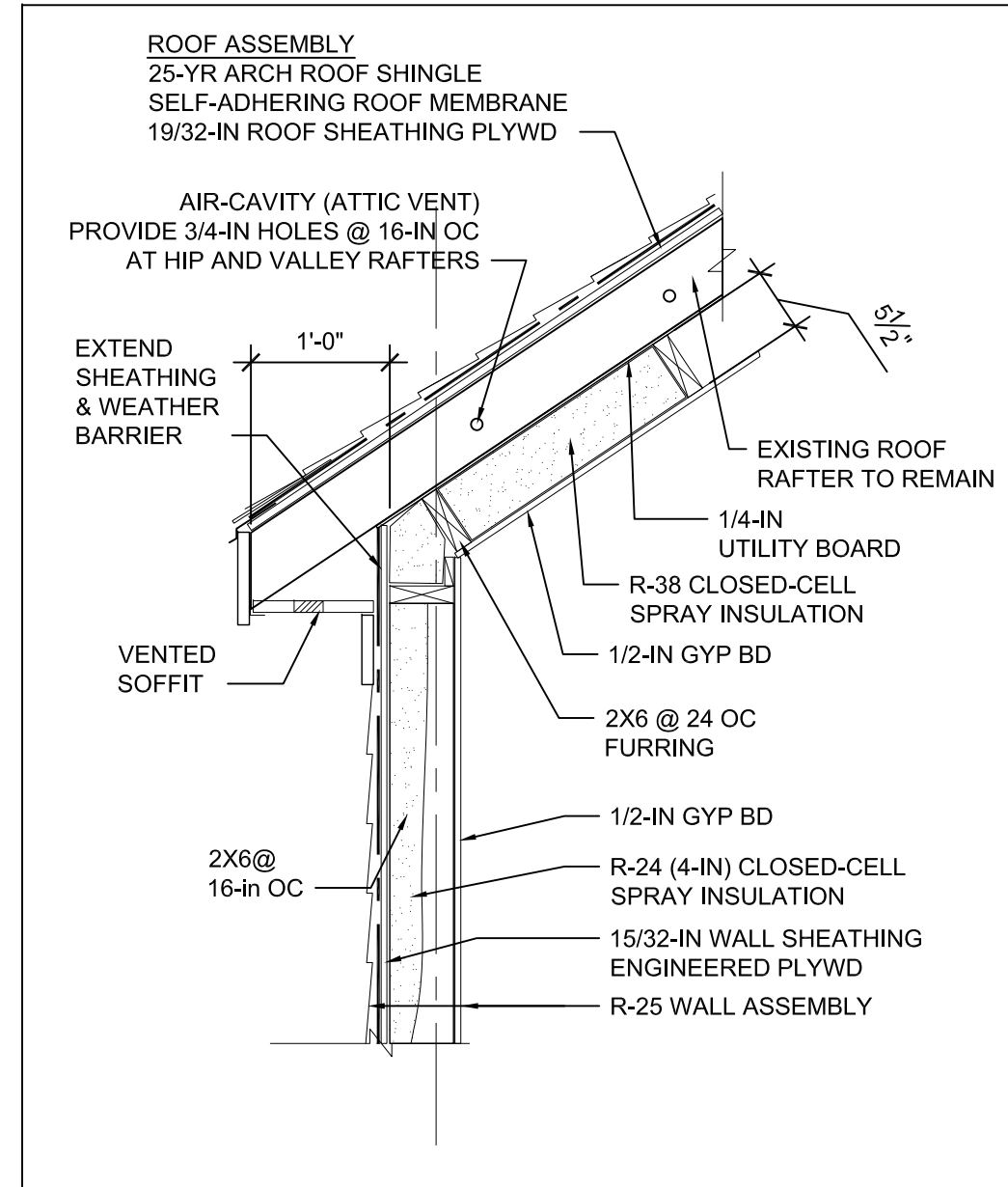


WINDOW & DOOR SCHEDULE

TAG	UNIT TYPE	UNIT SIZE W x H	ROUGH OPENING W x H	REMARKS
A	CASEMENT WINDOW	2'-0 ¹ / ₄ " x 2'-0 ¹ / ₄ "	2'-0 ³ / ₄ " x 2'-0 ³ / ₄ "	ENERGY STAR
AA	STATIONARY WIN.	4'-0" x 2'-0 ¹ / ₄ "	4'-0 ¹ / ₂ " x 2'-0 ³ / ₄ "	ENERGY STAR
B	TILT-WASH WINDOW	3'-1 ³ / ₄ " x 4'-9"	3'-2 ¹ / ₄ " x 4'-9"	ENERGY STAR
2B	TILT-WASH WINDOW	3'-1 ³ / ₄ " x 4'-9"	3'-2 ¹ / ₄ " x 4'-9"	ENERGY STAR
PD	PATIO DOOR	5'-11 ¹ / ₄ " x 6'-7 ¹ / ₂ "	6'-0" x 6'-8"	ENERGY STAR
FD	FRONT DOOR	3'-0 ¹ / ₈ " x 6'-7 ¹ / ₂ "	3'-1" x 6'-8"	ENERGY STAR
SD	SIDE DOOR	2'-8 ¹ / ₄ " x 6'-7 ¹ / ₂ "	2'-9" x 6'-8"	ENERGY STAR

NOTE: WINDOW AND DOOR UNIT MANUFACTURER BASIS OF DESIGN IS ANDERSEN. PLEASE CONFIRM WITH OWNER PRIOR TO ORDERING.



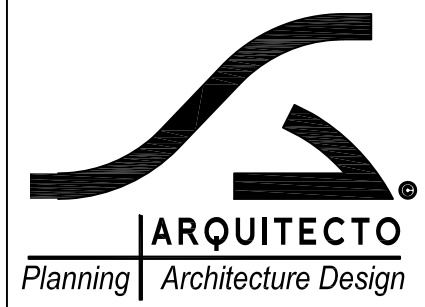
1 WINDOW & DOOR SCHEDULE
Scale: NTS

2 TYP EXISTING ROOF/NEW CEILING DETAIL
Scale: 3/4" = 1'-0"

Sergio A. Gaddar



AUGUST 22, 2012



RESIDENCE ADDITION AND RENOVATIONS
RUSH & ALLISON BROWN

25 LENNOX STREET
PORTLAND, MAINE

ARCHITECT'S PROJECT No.: ARQ 12-09	
DRAWN BY: SAG	REVIEWED BY: -

CSK-2