



550 COCHITUATE ROAD
SUITE 550 13 AND 14
FRAMINGHAM, MA 01701



1362 MELLON ROAD
SUITE 140
HANOVER, MD 21076



1100 E. WOODFIELD ROAD, SUITE 500
SCHAUMBURG, ILLINOIS 60173
TEL: 847-908-8400
www.FullertonEngineering.com

REV	DATE	DESCRIPTION	BY
0	02/01/16	90% REVIEW	EE
1	06/24/16	FOR PERMIT	KC

I HEREBY CERTIFY THAT THESE DRAWING WERE PREPARED BY ME OR UNDER MY DIRECT SUPERVISION AND CONTROL, AND TO THE BEST OF MY KNOWLEDGE AND BELIEF COMPLY WITH THE REQUIREMENTS OF ALL APPLICABLE CODES.



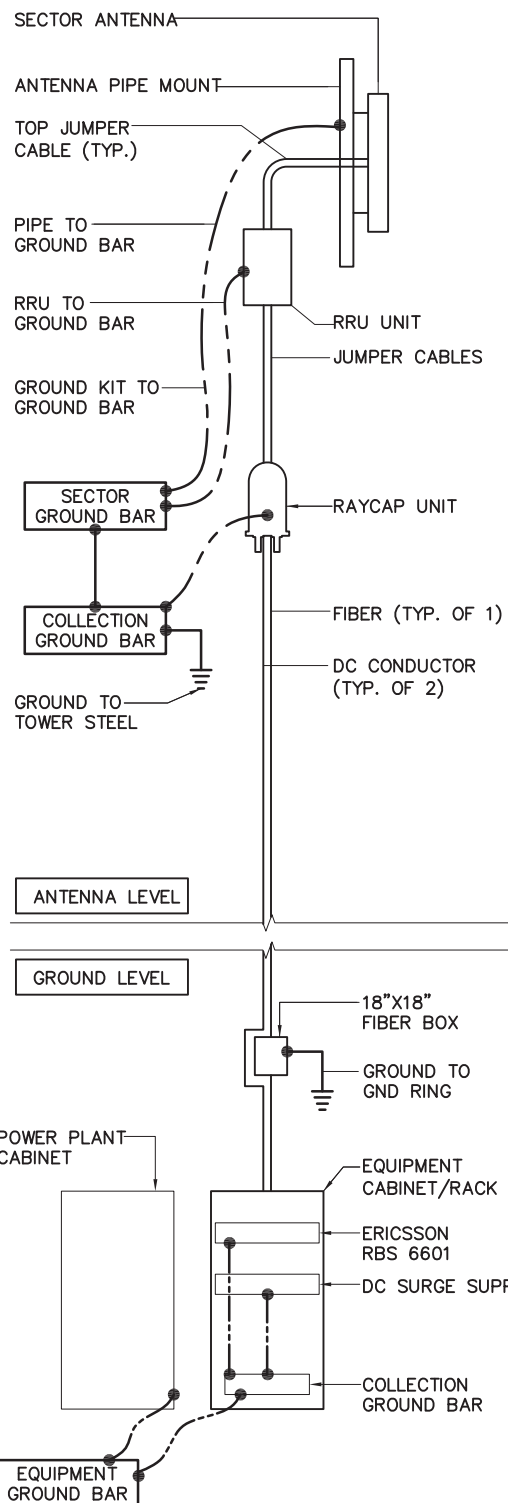
SITE NAME
**PORTLAND
BAXTER BLVD**

SITE NUMBER:
MEL05043

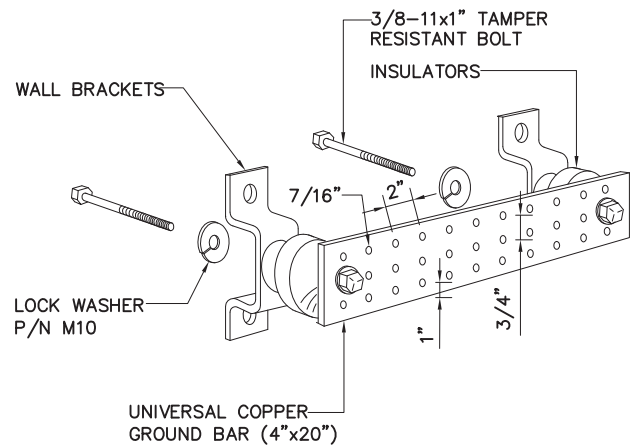
SITE ADDRESS
**970 BAXTER BOULEVARD
PORTLAND, ME 04103**

SHEET NAME
**GROUNDING
DETAILS**

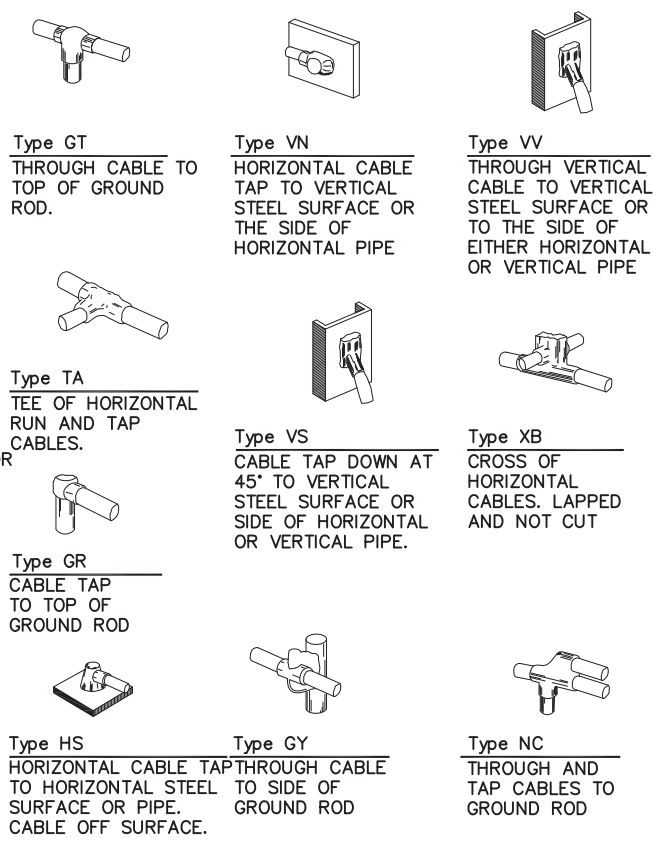
SHEET NUMBER
A8



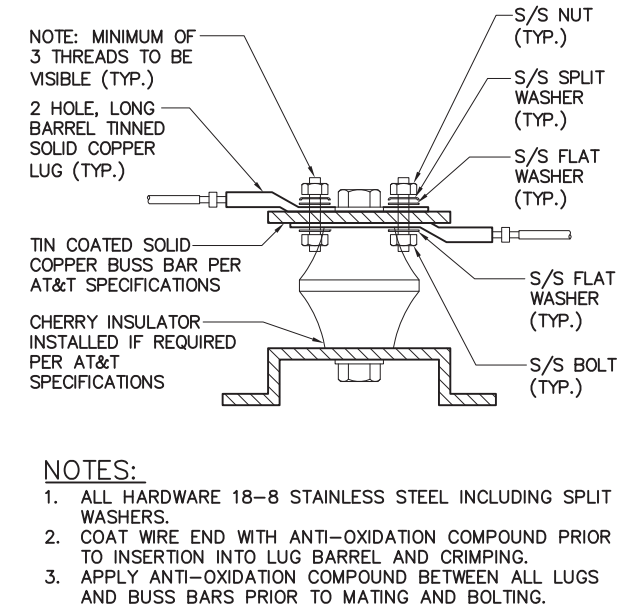
GROUNDING SCHEMATIC SCALE: N.T.S. 1



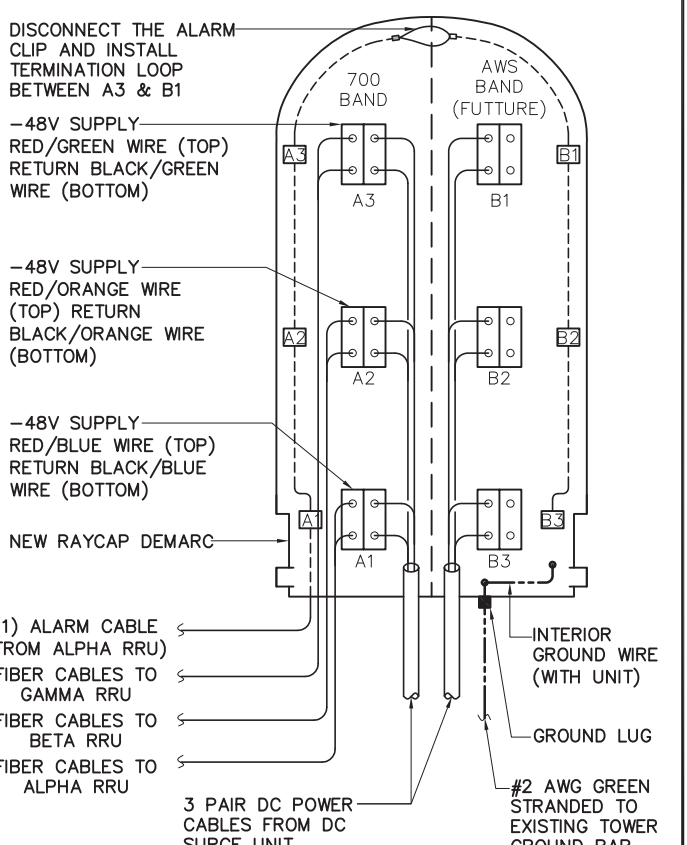
GROUND BAR DETAIL SCALE: N.T.S. 2



EXOTHERMIC WELD DETAILS SCALE: N.T.S. 4



LUG DETAIL SCALE: N.T.S. 3



RAYCAP DC POWER AND ALARM DET. SCALE: N.T.S. 5

NOT USED SCALE: N.T.S. 6

THESE DRAWINGS ARE THE PROPERTY OF FULLERTON ENGINEERING CONSULTANTS, INC. IT IS FOR THE EXCLUSIVE USE OF THIS PROJECT. ANY RE-USE OF THIS DRAWING WITHOUT THE EXPRESSED WRITTEN CONSENT OF FULLERTON ENGINEERING CONSULTANTS, INC. IS PROHIBITED.