

**ROOF SYSTEM**

1. SHINGLES - CERTAINTED LANDMARK LIFETIME CHARCOAL BLACK (OR MATCH EXISTING)
2. SHEATHING - ZIP ROOF
3. ROOFTOP GUARD II SHINGLE UNDERPAYMENT
4. CERTAINTED "WINTERGUARD" ICE/WATER SHIELD
5. 5"x7" ALUMINUM STEP FLASHING
6. SEE FRAMING PLAN
7. ROCKWOOL BATTS, MIN 7-1/4" 2 LAYERS R-30 (WHERE SHOWN)
8. CONT. RIDGE VENT
9. GABLE VENTS

**EXTERIOR WALL SYSTEM**

1. SHEATHING - OSB
2. 2X6 STUDS, SPRUCE, @ 16" O.C.
3. 5-1/2" ROXUL 'COMFORT BATTS' R-23
4. (1) 2X6, SPRUCE, BTM PLATE, PT @ FOUNDATION
5. (2) 2X6, SPRUCE, TOP PLATES
6. 1/2" GYPSUM WALL BOARD, TAPED & PAINTED

**WOOD FLOOR SYSTEM**

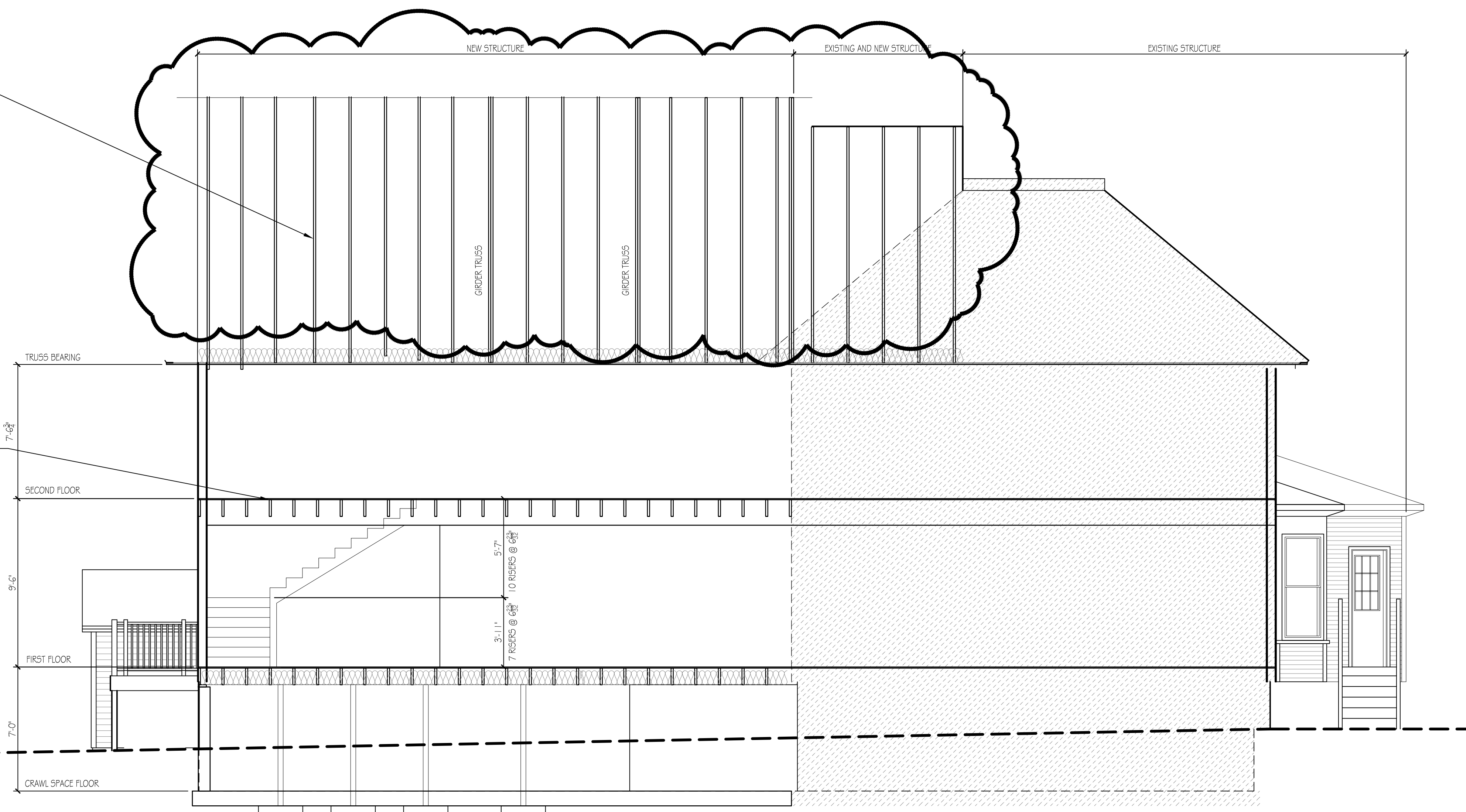
1. 3/4" T&G ADVANTECH FLOORING
2. SEE FRAMING PLAN
3. 1X3 STRAPPING @ 16" O.C.
4. 1/2" GYPSUM WALL BOARD, TAPED AND PAINTED
5. ROCKWOOL BATTS, MIN 7-1/4" R-30 (WHERE SHOWN)

**INTERIOR WALL SYSTEM**

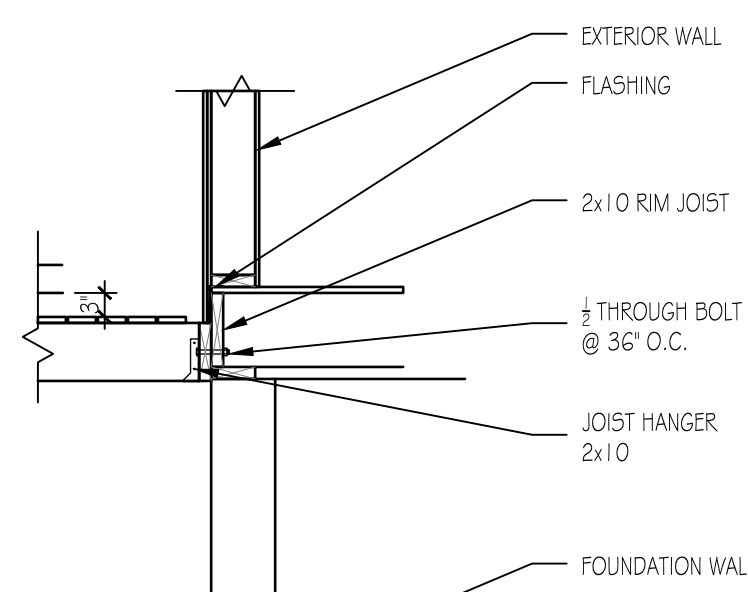
1. 2X4 STUDS, SPRUCE, @ 16" O.C.
2. (1) 2X4, SPRUCE, BTM PLATE,
3. (2) 2X4, SPRUCE, TOP PLATES
4. 1/2" GYPSUM WALL BOARD, TAPED & PAINTED
5. 1/2" X 48" AFF BEAD BOARD WITH CHAIR RAIL
6. CROWN MOLDING
7. 3/4" X 5" BASE MOLDING

**FOUNDATION SYSTEM**

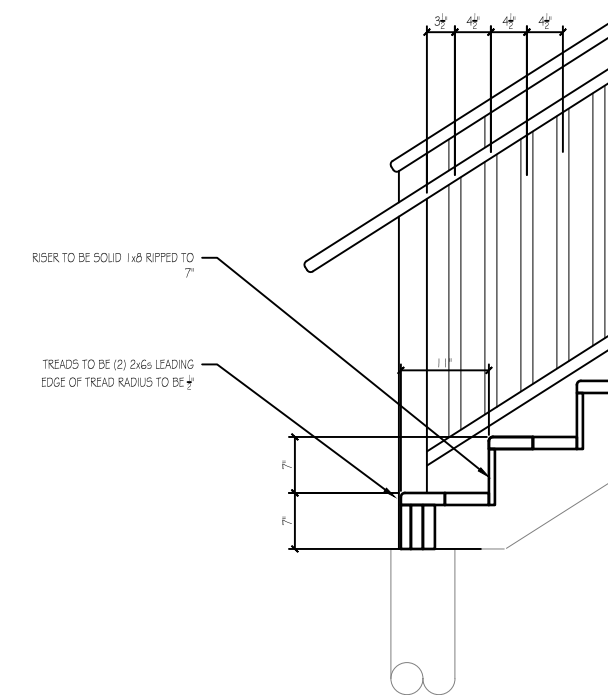
1. 4" CONCRETE SLAB ON GRADE ON MIN. 6" OF COMPACTED STRUCTURAL GRAVEL
2. VAPOR BARRIER
3. 6X6 #10 GAUGE WELDED WIRE MESH
4. 2" STYROFOAM UNDER SLAB INSULATION
5. 2" STYROFOAM FOUNDATION WALL INSULATION
6. 8" CONC. CAST IN PLACE WALL
7. 4" FOUNDATION DRAIN. PROVIDE FILTER FABRIC OVER TOP OF DRAIN AND MIN 2" CRUSHED ROCK UNDER DRAIN.
8. SILL PLATES SHALL BE ANCHORED TO THE FOUNDATION WITH ANCHOR BOLTS SPACED A MAX. OF 6' O.C., BOLTS SHALL BE AT LEAST 1/2" IN DIAMETER AND SHALL EXTEND A MINIMUM OF 7" INCHES INTO CONCRETE SILL PLATE SHALL BE P.T 2X6 WITH SILL SEAL
9. CONCRETE FOOTING MIN. 10"x20"



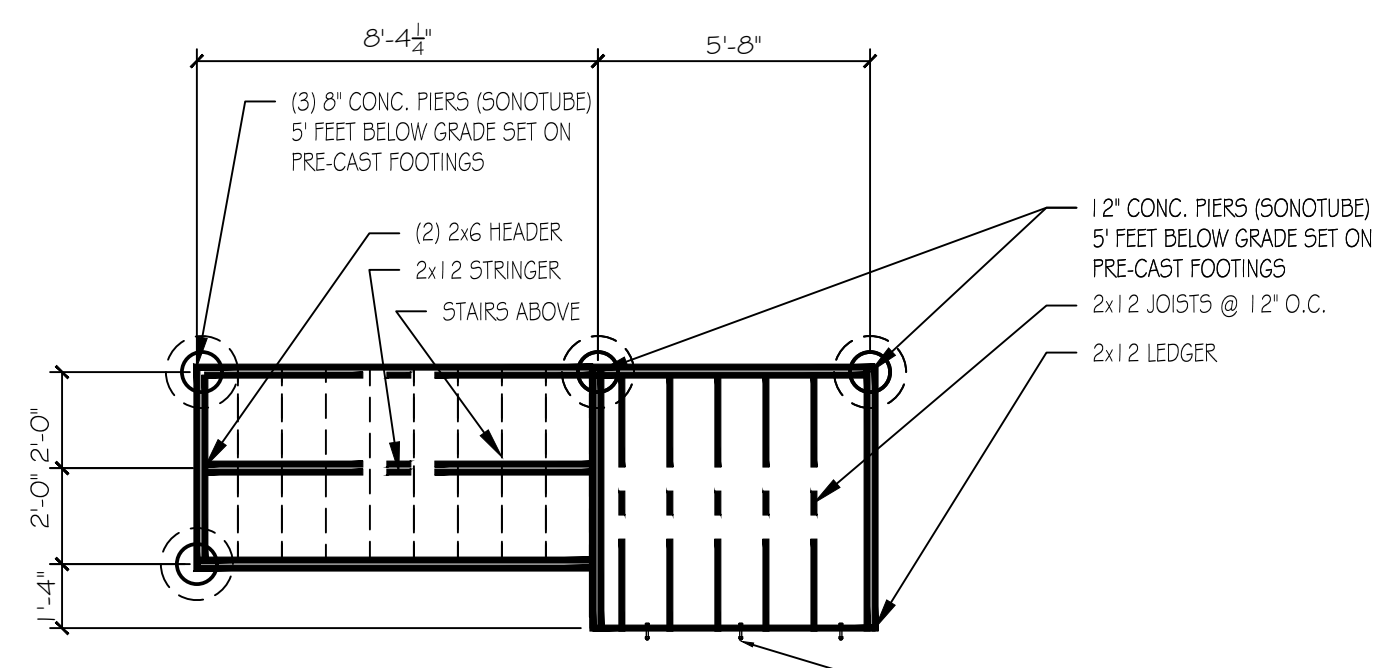
**VERANDA STREET ELEVATION**  
SCALE: 1/4" = 1'-0"



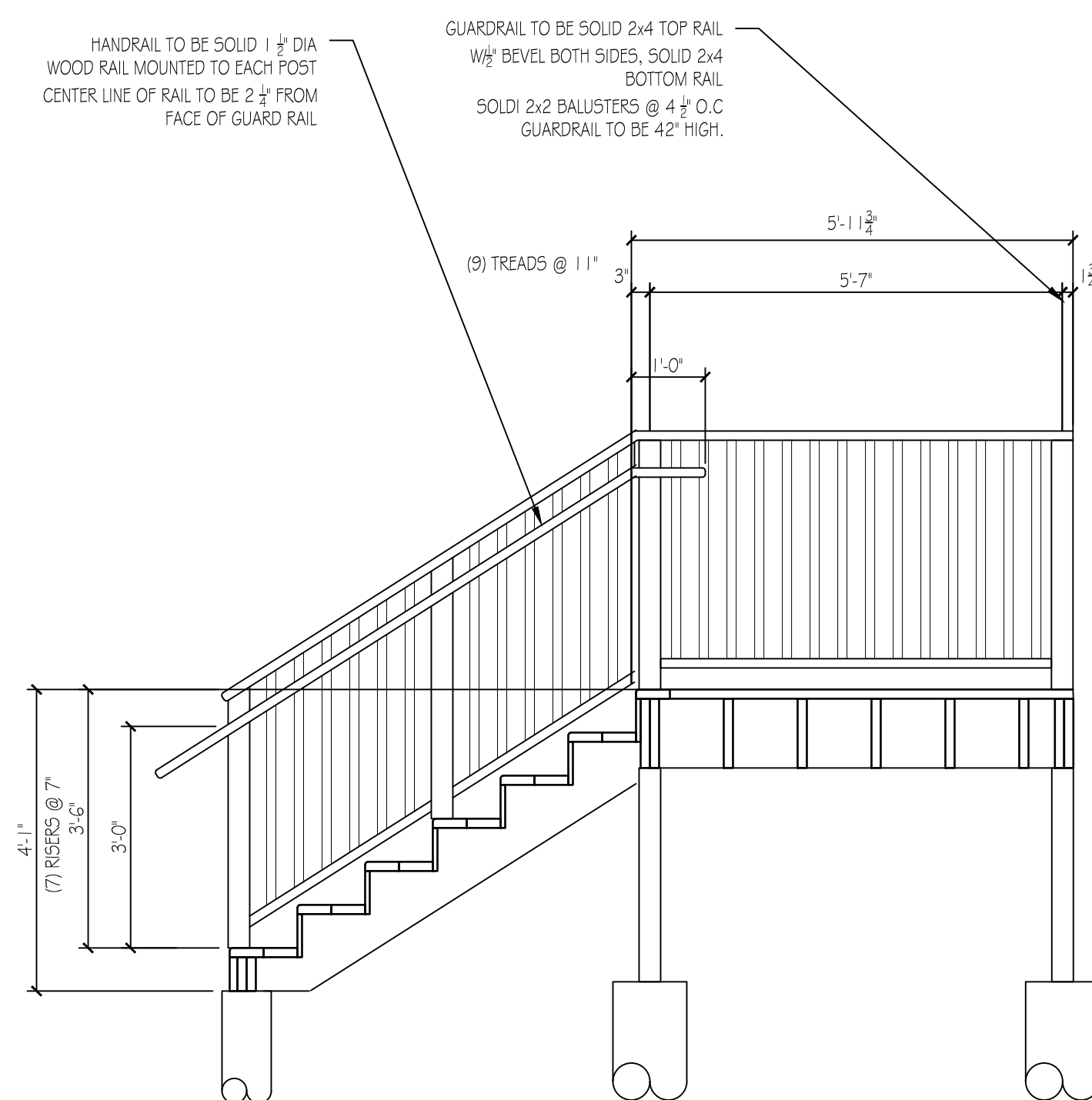
**SECTION @ STAIR/BUILDING**  
SCALE: 1/2" = 1'-0"



**SECTION @ STAIR BASE**  
SCALE: 1/2" = 1'-0"



**STAIR FRAMING PLAN**  
SCALE: 1/4" = 1'-0"



**SECTION @ STAIR**  
SCALE: 1/2" = 1'-0"

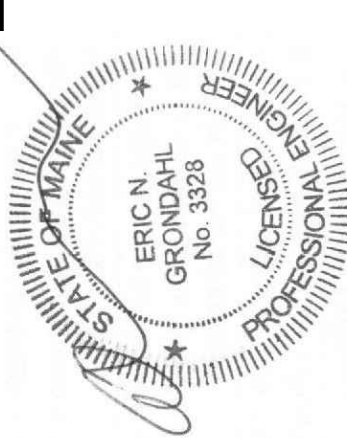
**NOTE:**

THE CONTRACTOR/OWNER ASSUMES ALL RESPONSIBILITY FOR LOCAL CODE COMPLIANCE. ALL DRAWINGS, PLANS, SKETCHES ETC. ARE PROVIDED TO OUR CLIENTS BASED UPON INFORMATION PROVIDED BY THE CLIENT AND DRAWN IN ACCORDANCE WITH COMMON BUILDING PRACTICES AND LOCAL CODES. NONE OF THE EMPLOYEES OF CDT ARE NOT REGISTERED ARCHITECTS, ENGINEERS OR LAND SURVEYORS. ALL DIMENSIONS AND SPECIFICATIONS SHOULD BE VERIFIED BY CLIENT AND/OR CONTRACTOR BEFORE ACTUAL CONSTRUCTION BEGINS. IF DIMENSIONS AND SPECIFICATIONS ARE NOT VERIFIED BY CLIENT AND/OR CONTRACTOR BEFORE ACTUAL CONSTRUCTION BEGINS CDT WILL BE HELD HARMLESS. CDT ASSUMES NO LIABILITY FOR CHANGES AND/OR REVISIONS MADE TO PLANS BY CLIENT AND/OR CONTRACTOR.

3. Contractor/owner will Comply with all applicable codes and ordinances.

3. Contractor/owner to verify all site grades and dimensions.

PROPERTY OF



Building Addition  
522 Washington Ave  
Schneider Property  
Management, LLC

BY	JJO	JJO		
NO	REMARKS	ISSUED FOR PERMIT	ISSUED FOR PERMIT	MODIFIED ROOF FRAMING
DATE	09-24-15	05-23-16	09-18-16	
CODE:	IRC 2009			
TOWN:	PORTLAND			
DATE:	09-24-15			
SCALE:	As Noted			
DRAWN:	JJO			
TITLE:	BUILDING SECTION			
FILE:				
SHEET:	A3-01			