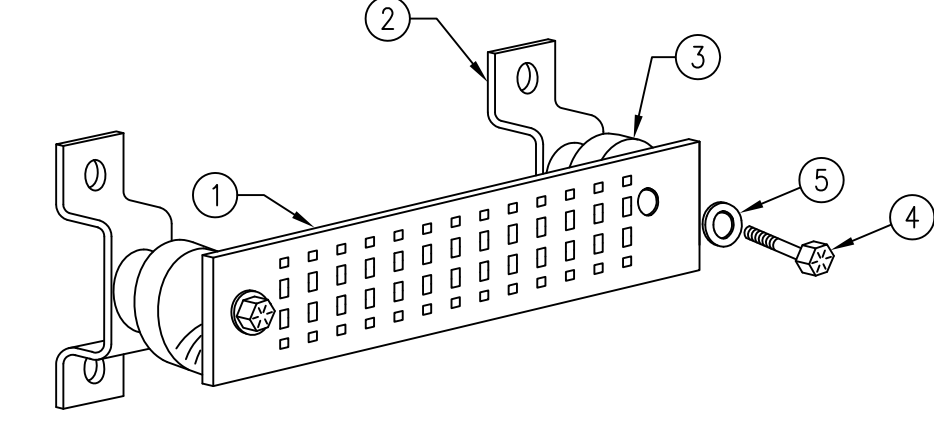


- NOTES:
- "DOUBLING UP" OR "STACKING" OF CONNECTION IS NOT PERMITTED.
 - OXIDE INHIBITING COMPOUND TO BE USED AT ALL LOCATIONS.
 - CADWELD DOWNLEADS FROM UPPER EGB, LOWER EGB, AND MGB.
 - ALL GROUND LUGS MUST BE HEAT SHRUNK AT WIRE/LUG CONNECTION

TYPICAL GROUND BAR CONNECTION DETAIL

1 G-1 SCALE: N.T.S.

WIRELESS SOLUTIONS INC.			
NO.	REQ.	PART NO.	DESCRIPTION
①	1	HLGB-0420-IS	SOLID GND. BAR (20"x4"x1/4")
②	2		WALL MTG. BRKT.
③	2		INSULATORS
④	4		5/8"-11x1" H.H.C.S.
⑤	4		5/8 LOCKWASHER



2 GROUND BAR - DETAIL

2 G-1 SCALE: N.T.S.

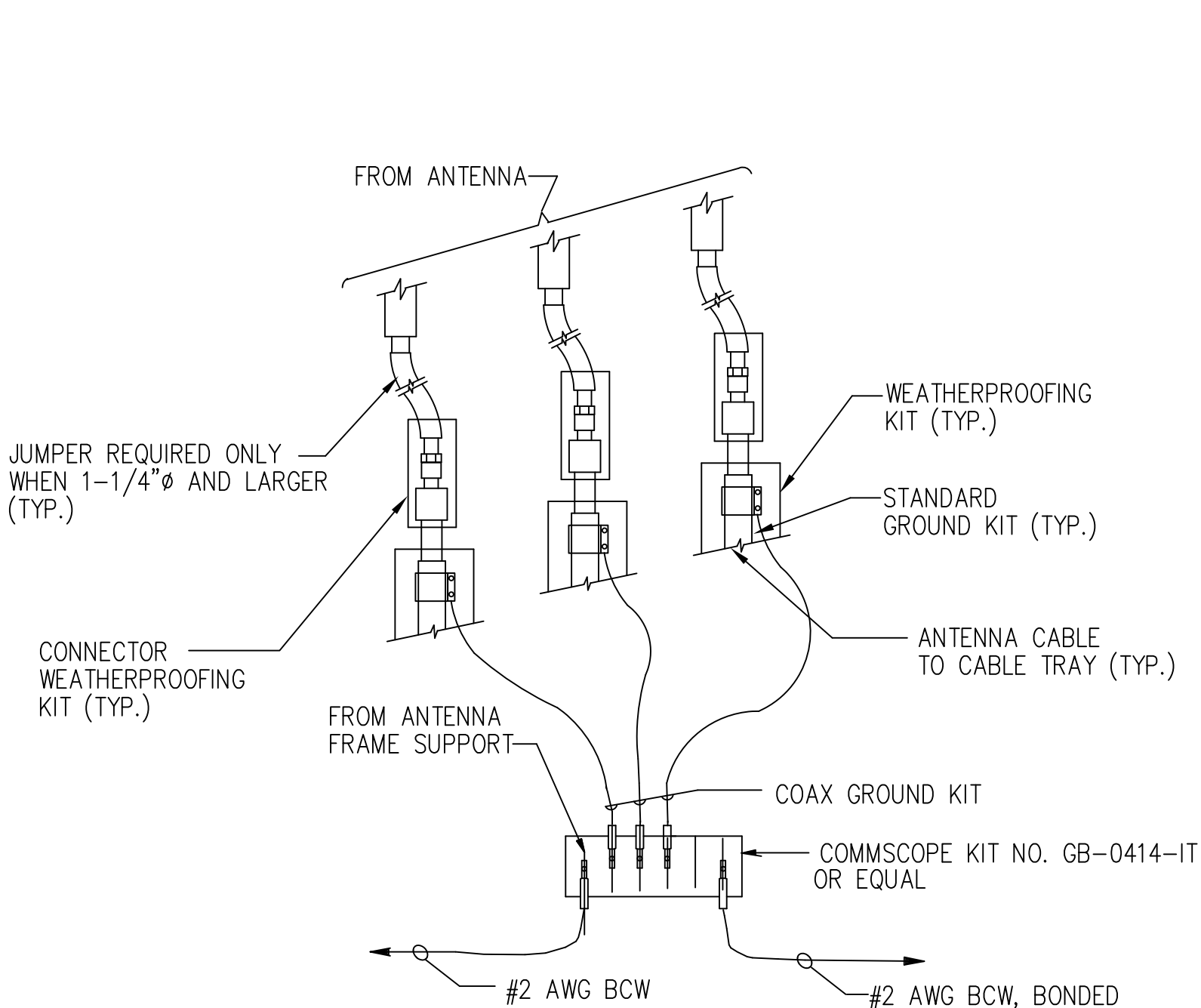
EACH GROUND CONDUCTOR TERMINATING ON ANY GROUND BAR SHALL HAVE AN IDENTIFICATION TAG ATTACHED AT EACH END THAT WILL IDENTIFY ITS ORIGIN AND DESTINATION.

SECTION "P" - SURGE PRODUCERS

- CABLE ENTRY PORTS (HATCH PLATES) (#2)
- GENERATOR FRAMEWORK (IF AVAILABLE) (#2)
- TELCO GROUND BAR
- COMMERCIAL POWER COMMON NEUTRAL/GROUND BOND (#2)
- +24V POWER SUPPLY RETURN BAR (#2)
- 48V POWER SUPPLY RETURN BAR (#2)
- RECTIFIER FRAMES.

SECTION "A" - SURGE ABSORBERS

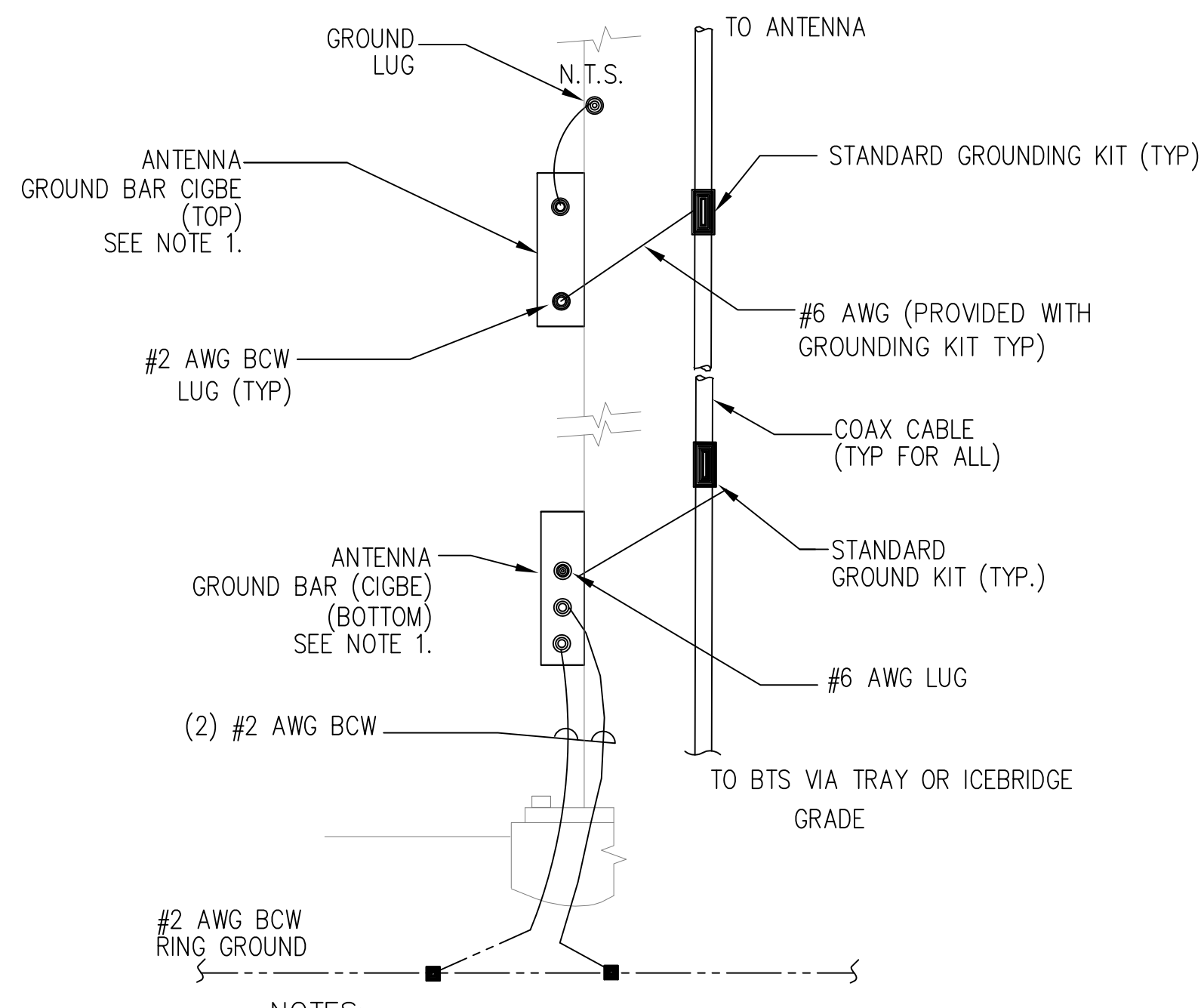
- INTERIOR GROUND RING (#2)
- EXTERNAL EARTH GROUND FIELD (BURIED GROUND RING) (#2)
- METALLIC COLD WATER PIPE (IF AVAILABLE) (#2)
- BUILDING STEEL (IF AVAILABLE) (#2)



- NOTE:
- DO NOT INSTALL CABLE GROUND KIT AT A BEND AND ALWAYS DIRECT GROUND WIRE DOWN TO CIGBE.

GROUND WIRE TO GROUND BAR CONNECTION DETAIL

4 N.T.S.

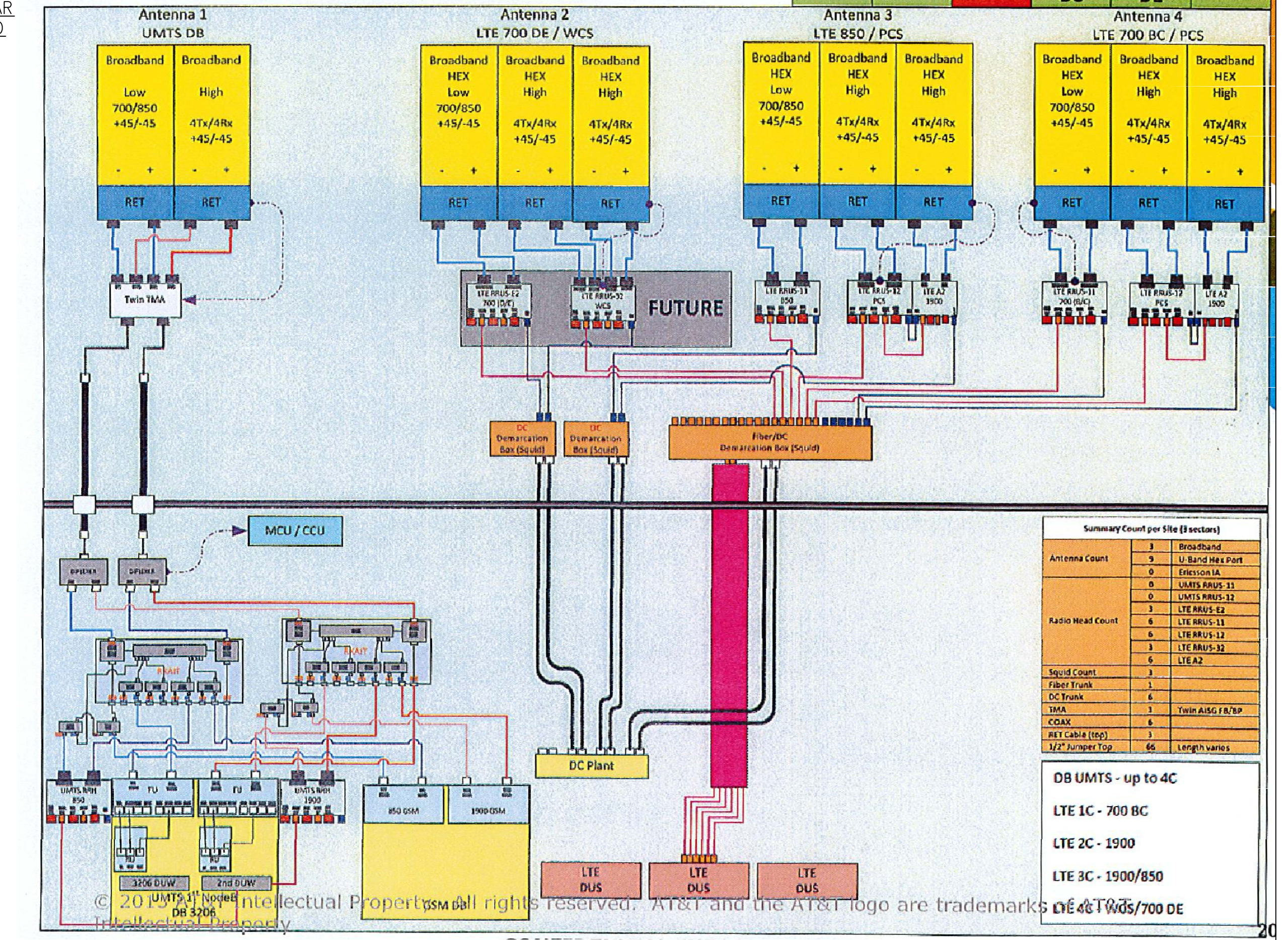


- NOTES:
- NUMBER OF GROUND BARS MAY VARY DEPENDING ON THE TYPE OF TOWER, ANTENNA LOCATION AND CONNECTION ANTENNA LOCATION AND CONNECTION ORIENTATION. PROVIDE AS REQUIRED.
 - A SEPARATE GROUND BAR TO BE USED FOR GPS ANTENNA IF REQUIRED.

5 ANTENNA CABLE GROUNDING

5 G-1 SCALE: N.T.S.

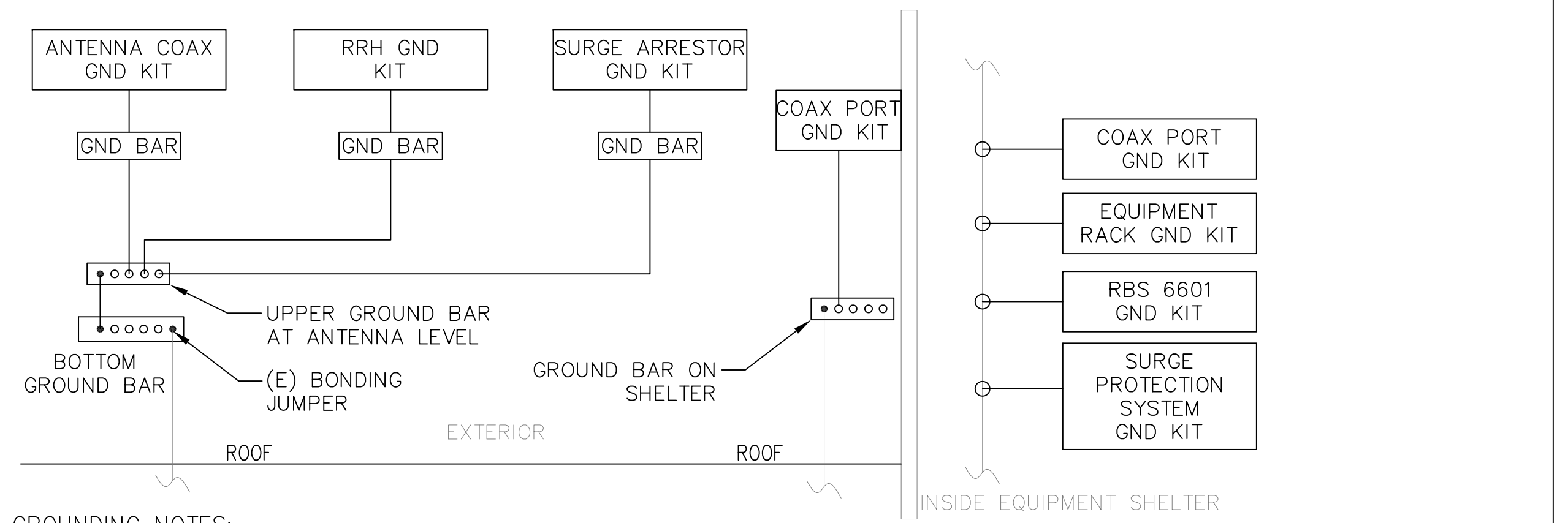
Area 1 - No AWS (NEW) Upgrade



- NOTES:
- CONTRACTOR TO CONFIRM ALL PARTS.
 - INSTALL ALL EQUIPMENT TO MANUFACTURER'S RECOMMENDATIONS.

3 PLUMBING DIAGRAM

3 G-1



GROUNDING NOTES:
ALL GROUNDING SHALL BE DONE IN ACCORDANCE WITH THE AT&T MOBILITY GROUNDING GUIDE.
• EXOTHERMIC (CADWELD) OR MECHANICAL (COMPRESSION TYPE) CONNECTION

6 ONE LINE GROUNDING DIAGRAM

6 G-1 SCALE: N.T.S.

EG ADVANCED ENGINEERING GROUP, P.C.
Civil Engineering - Site Development Surveying - Telecommunications
500 NORTH BROADWAY
EAST PROVIDENCE, RI 02914
PH: 401-354-2403
FAX: 401-633-6354

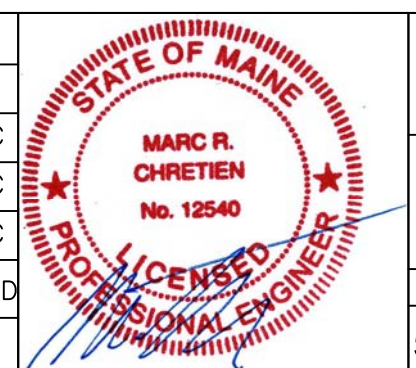
smartlink
1997 ANNAPOLIS EXCHANGE PARKWAY, SUITE 200
ANNAPOLIS, MD 21401
TEL: (410) 263-5465 FAX: (410) 263-5470

SITE NUMBER: ME5043
SITE NAME: PORTLAND BAXTER BOULEVARD
970 BAXTER BOULEVARD
PORTLAND, ME 04103
CUMBERLAND COUNTY

at&t
550 COCHITUATE ROAD, SUITE 13,
FRAMINGHAM, MA 01701-4681

NO.	DATE	REVISIONS	BY	CHK	APP'D
1	03/19/14	FINAL	BDJ	MRC	MRC
0	03/03/14	ISSUED FOR CONSTRUCTION	BDJ	MRC	MRC
A	10/21/13	ISSUED FOR REVIEW	AL	MRC	MRC

SCALE: AS SHOWN DESIGNED BY: AL DRAWN BY: AL



AT&T
PLUMBING DIAGRAM & GROUNDING DETAILS

JOB NUMBER	DRAWING NUMBER	REV
5043 LTE	G-1	1