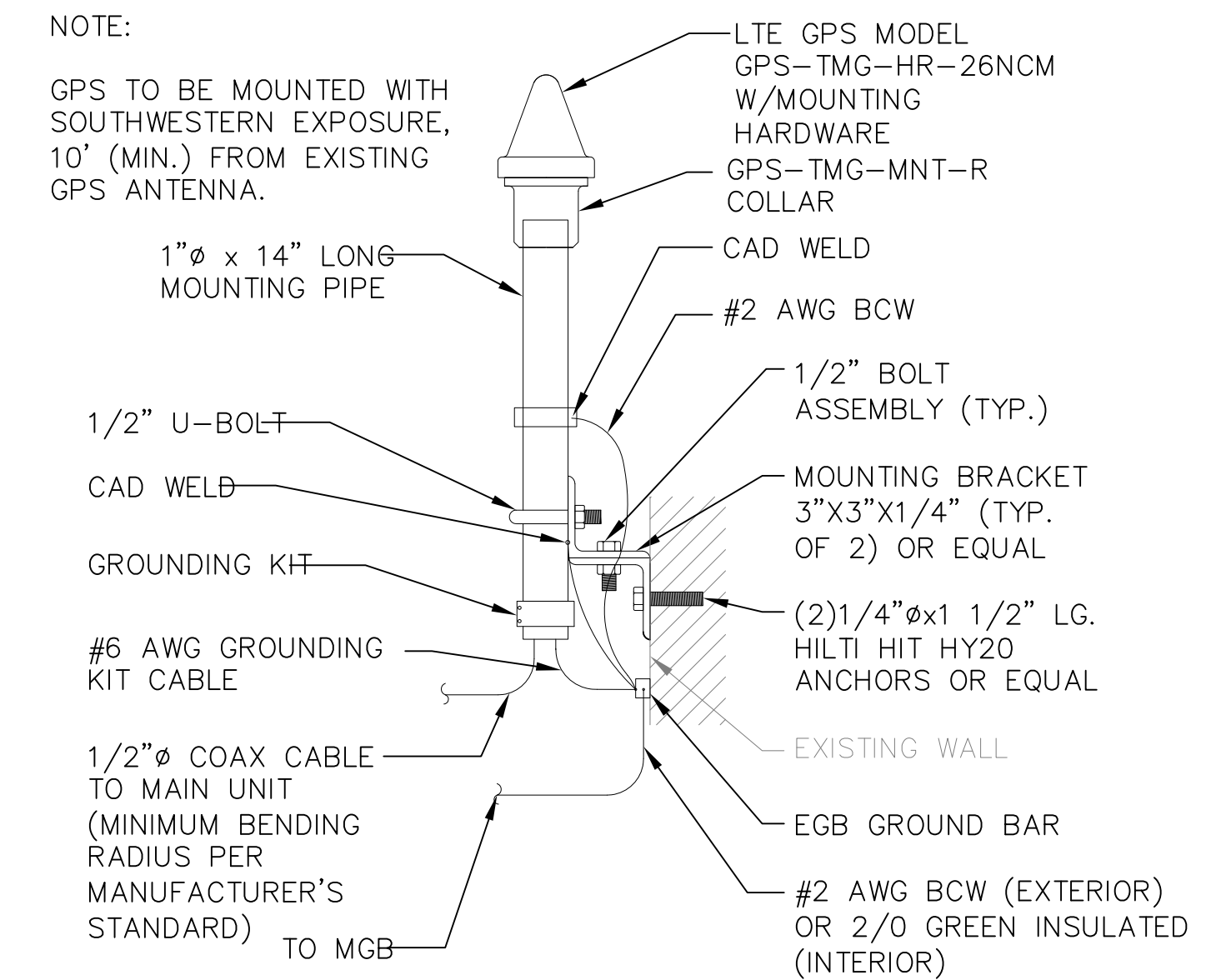
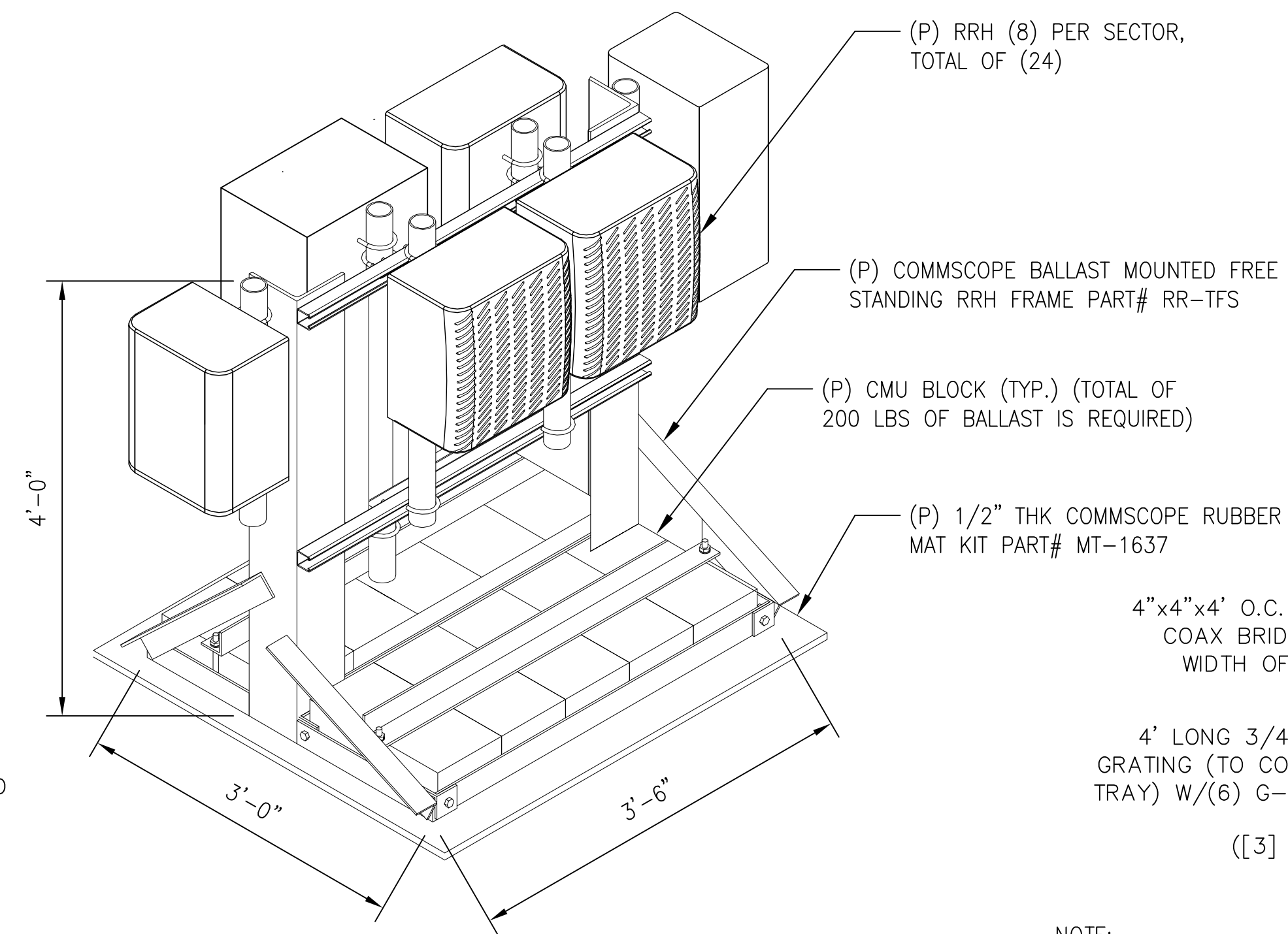


NOTE:
MOUNT PER MANUFACTURER'S SPECIFICATIONS.

1 DC SURGE SUPPRESSOR DETAIL
A-3 SCALE: N.T.S.

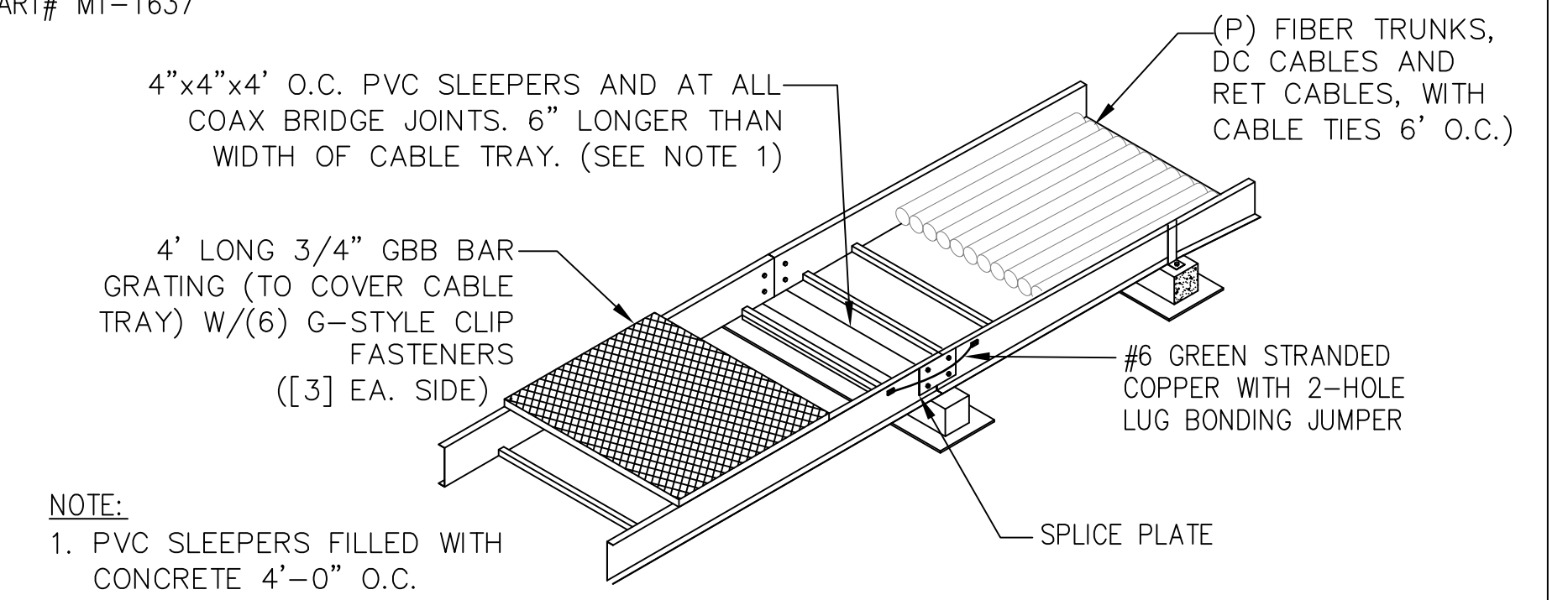


2 GPS ANTENNA MOUNT DETAIL
A-3 SCALE: N.T.S.



NOTE:
(P) SURGE ARRESTOR NOT SHOWN FOR CLARITY BUT IS TO BE INSTALLED IN SIMILAR FASHION AS (P) RRHS SHOWN.

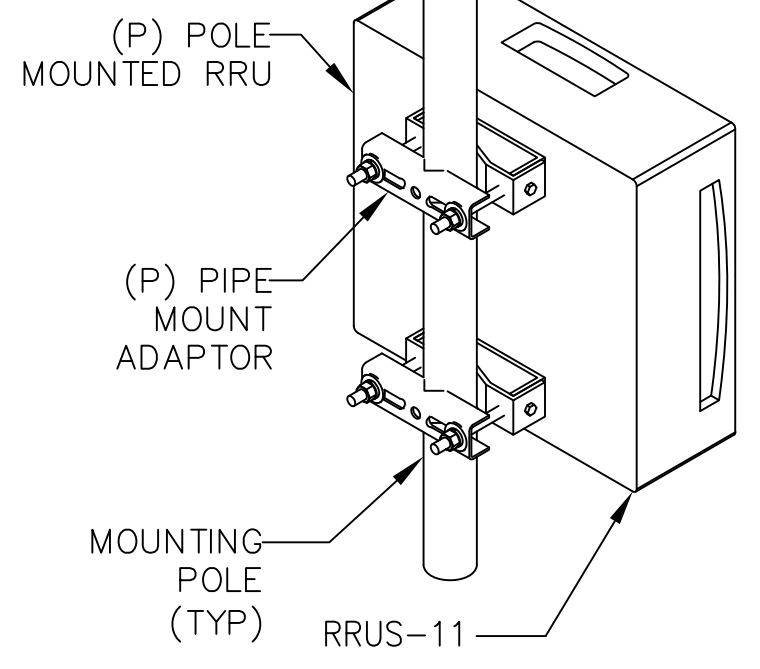
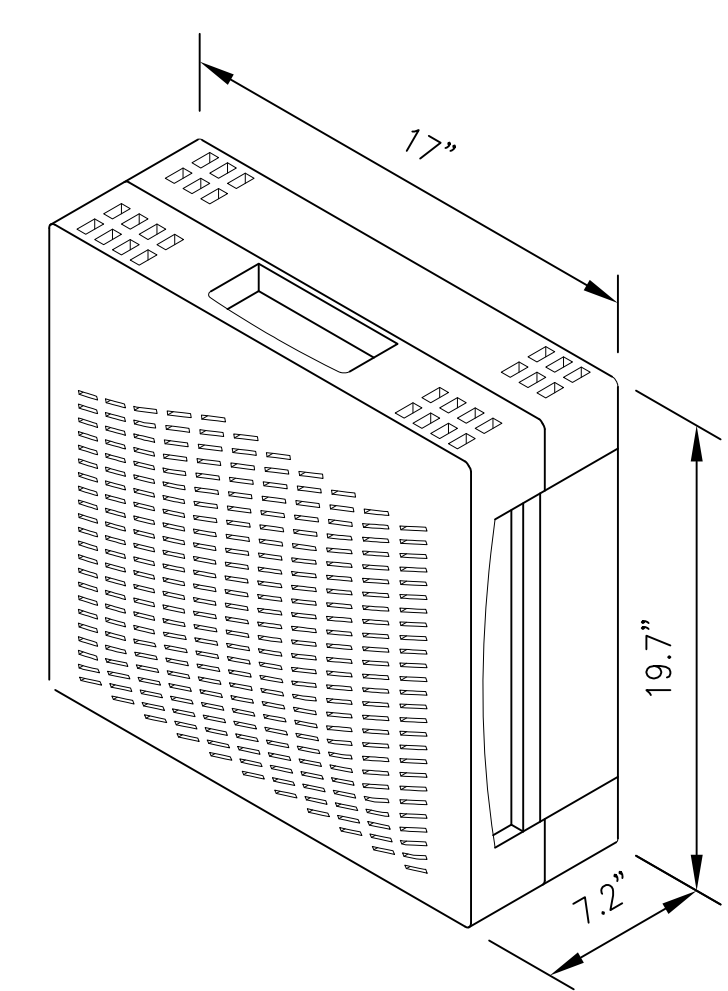
3 RRH & SURGE SUPPRESSOR ROOFTOP MOUNT DETAIL
SCALE: N.T.S.



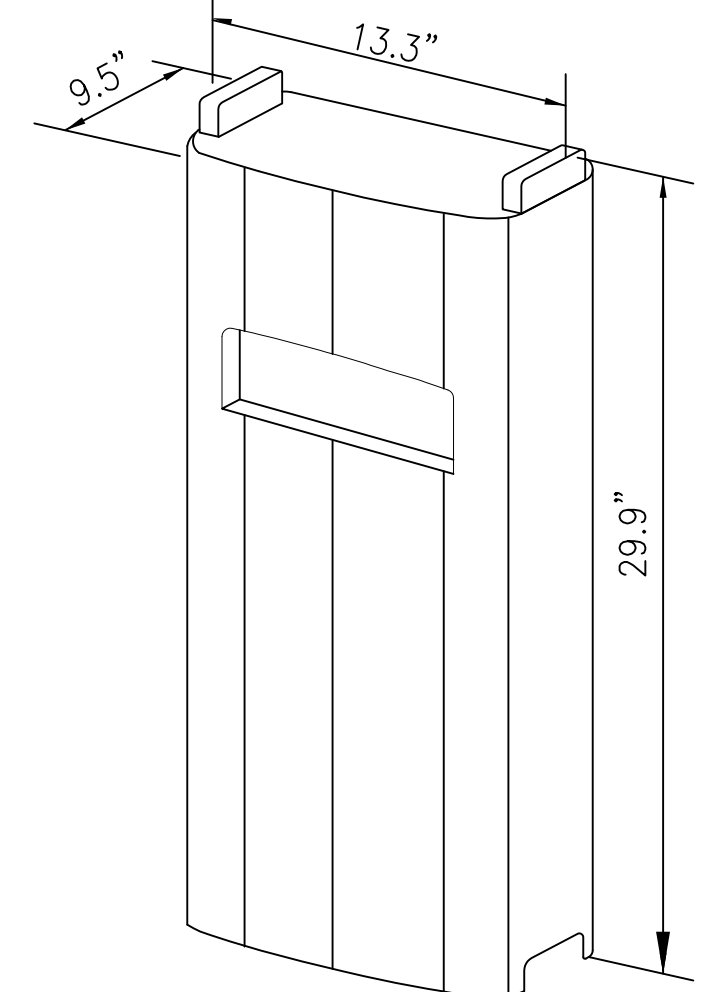
NOTE:
1. PVC SLEEPERS FILLED WITH CONCRETE 4'-0" O.C.

4 HORIZONTAL CABLE TRAY DETAIL
A-3 SCALE: N.T.S.

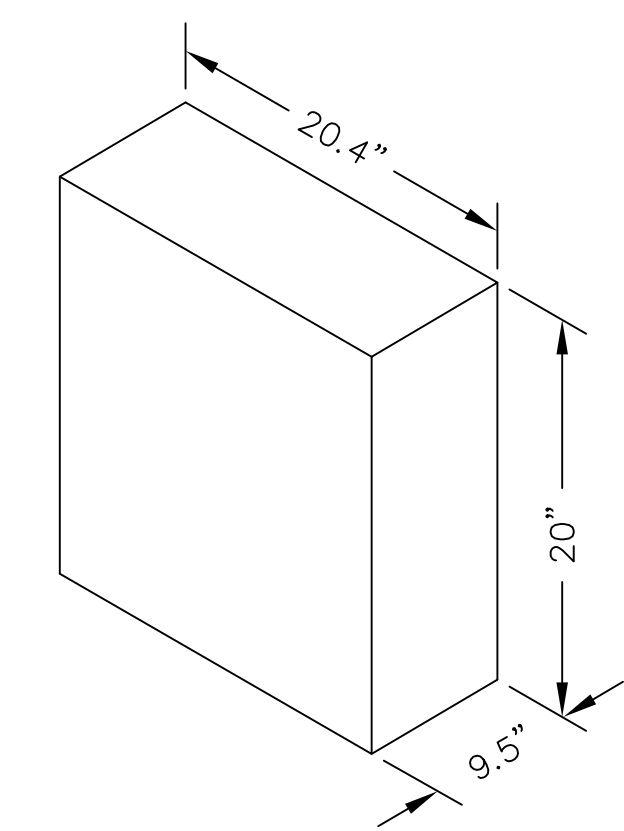
ERICSSON RRUS-11
-DIMENSIONS (H x W x D): 19.7" x 17.0" x 7.2" (INCLUDES SUNSHIELD)
-WEIGHT: 50 LBS



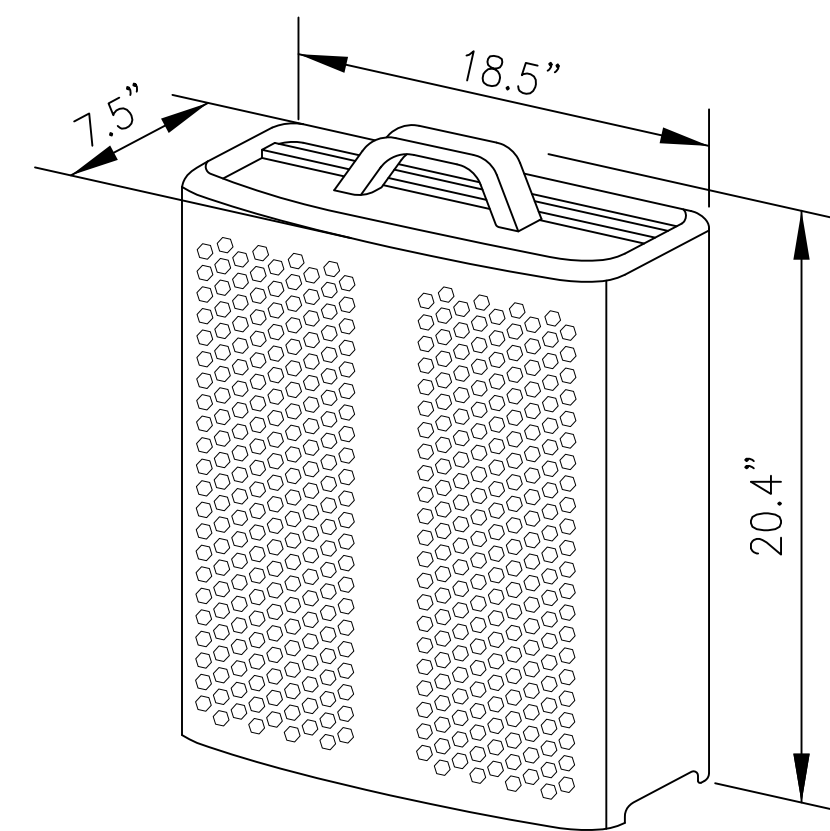
ERICSSON RRUS-32
-DIMENSIONS (H x W x D): 29.9" x 13.3" x 9.5"
-WEIGHT: 77 LBS



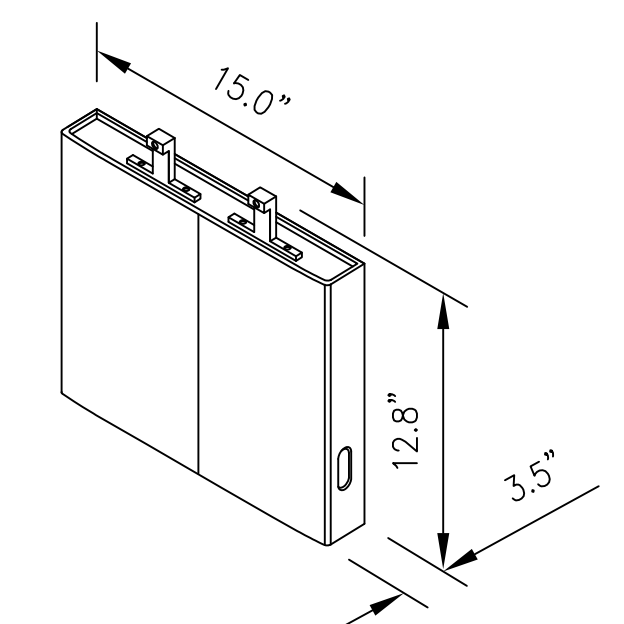
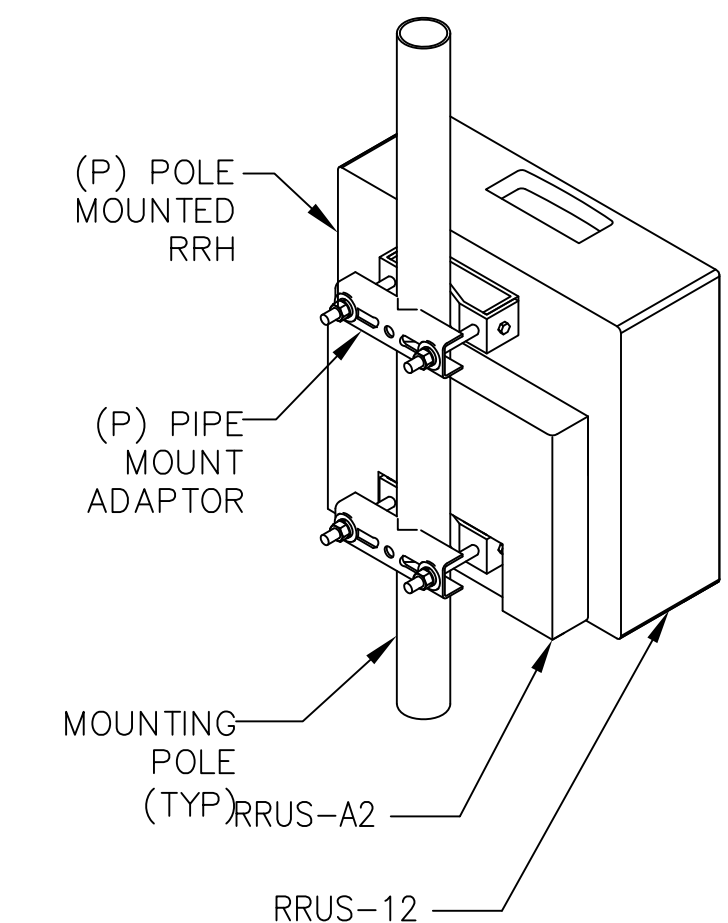
ERICSSON RRUS-E2
-DIMENSIONS (H x W x D): 20" x 20.4" x 9.5"
-WEIGHT: 71.5 LBS



ERICSSON RRUS-12
-DIMENSIONS (H x W x D): 20.4" x 18.5" x 7.5"
(INCLUDES SUNSHIELD)
-WEIGHT: 50 LBS



ERICSSON RRUS A2
-DIMENSIONS (H x W x D): 16.4" x 15.1" x 3.4"
(INCLUDES SUNSHIELD)
-WEIGHT: 22 LBS



NOTES:
1. RRU CAN ONLY BE PAINTED ON SOLAR SHIELD.
2. PLEASE SEE RFDS FOR RRH FREQUENCY AND MODEL #

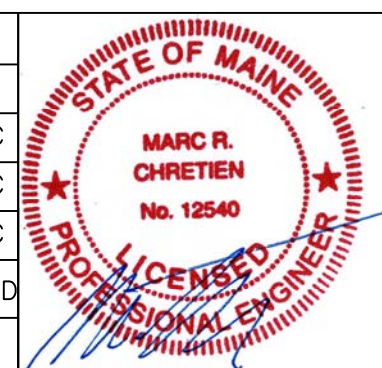
5 REMOTE RADIO HEAD (RRH) DETAILS
A-3 SCALE: 1/2"=1'-0"



SITE NUMBER: ME5043
SITE NAME: PORTLAND BAXTER BOULEVARD
970 BAXTER BOULEVARD
PORTLAND, ME 04103
CUMBERLAND COUNTY



NO.	DATE	REVISIONS	BY	CHK	APP'D
1	03/19/14	FINAL	BDJ	MRC	MRC
0	03/03/14	ISSUED FOR CONSTRUCTION	BDJ	MRC	MRC
A	10/21/13	ISSUED FOR REVIEW	AL	MRC	MRC
SCALE: AS SHOWN		DESIGNED BY: AL	DRAWN BY: AL		



AT&T		
DETAILS		
JOB NUMBER	DRAWING NUMBER	REV
5043 LTE	A-3	1