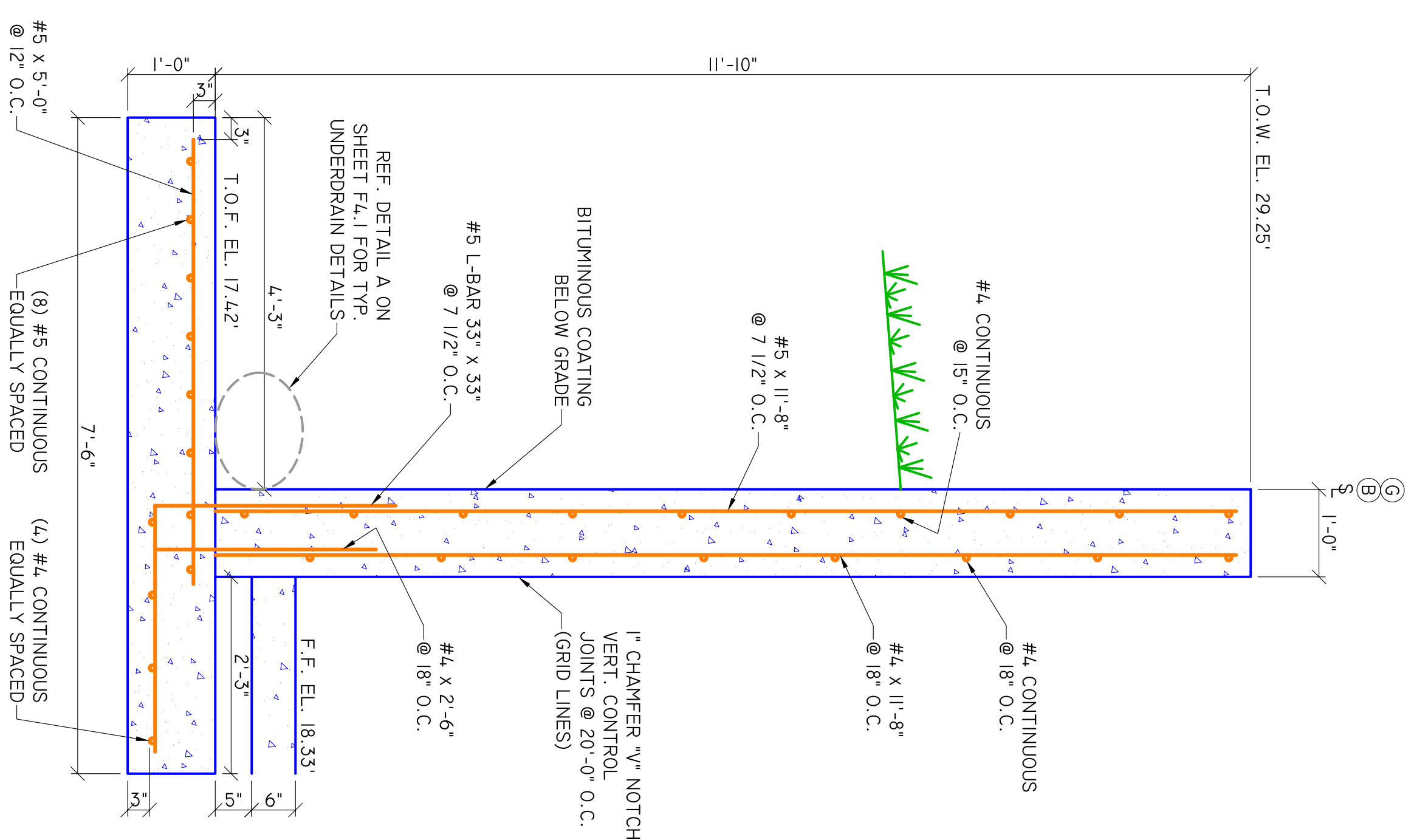
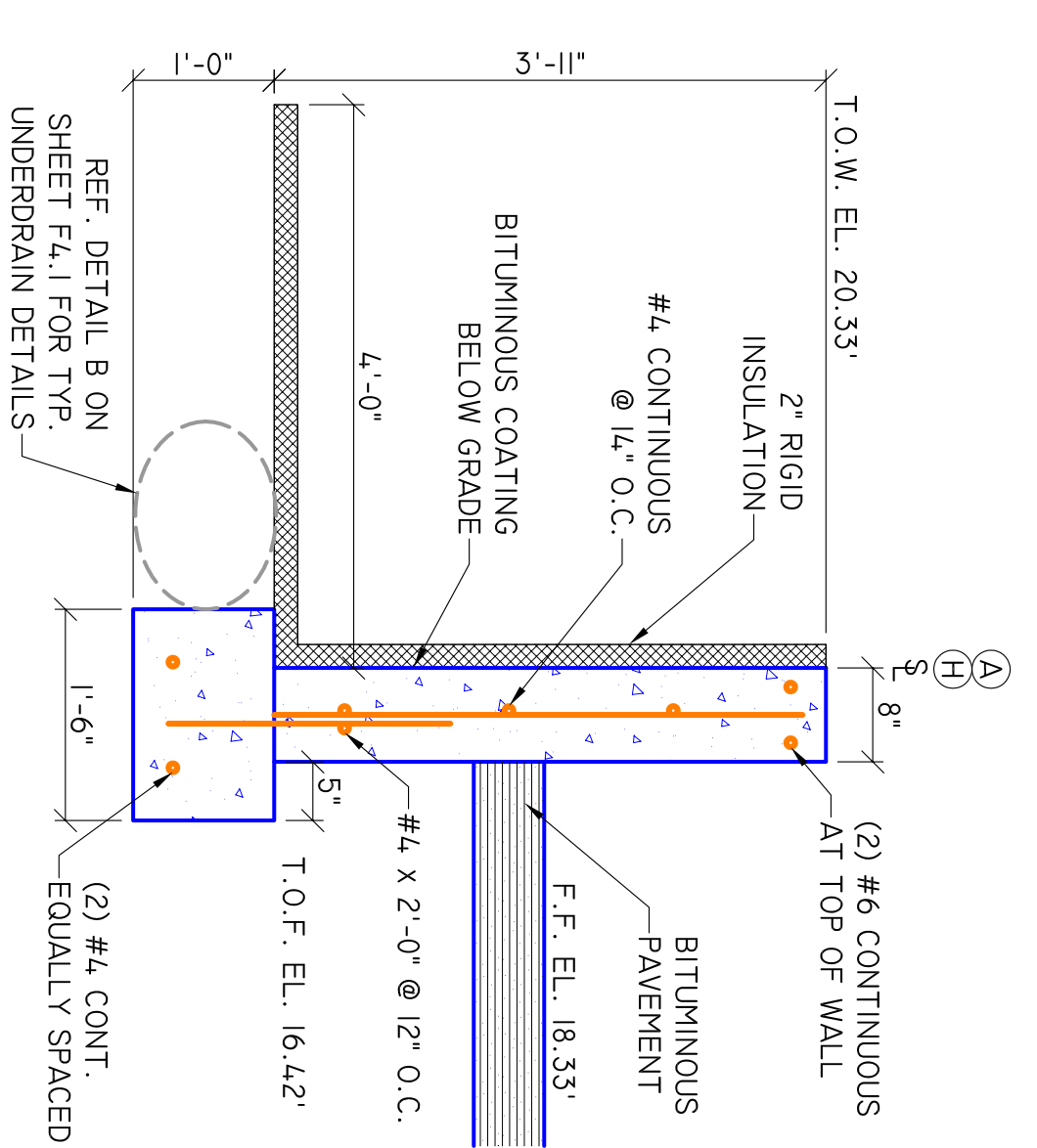


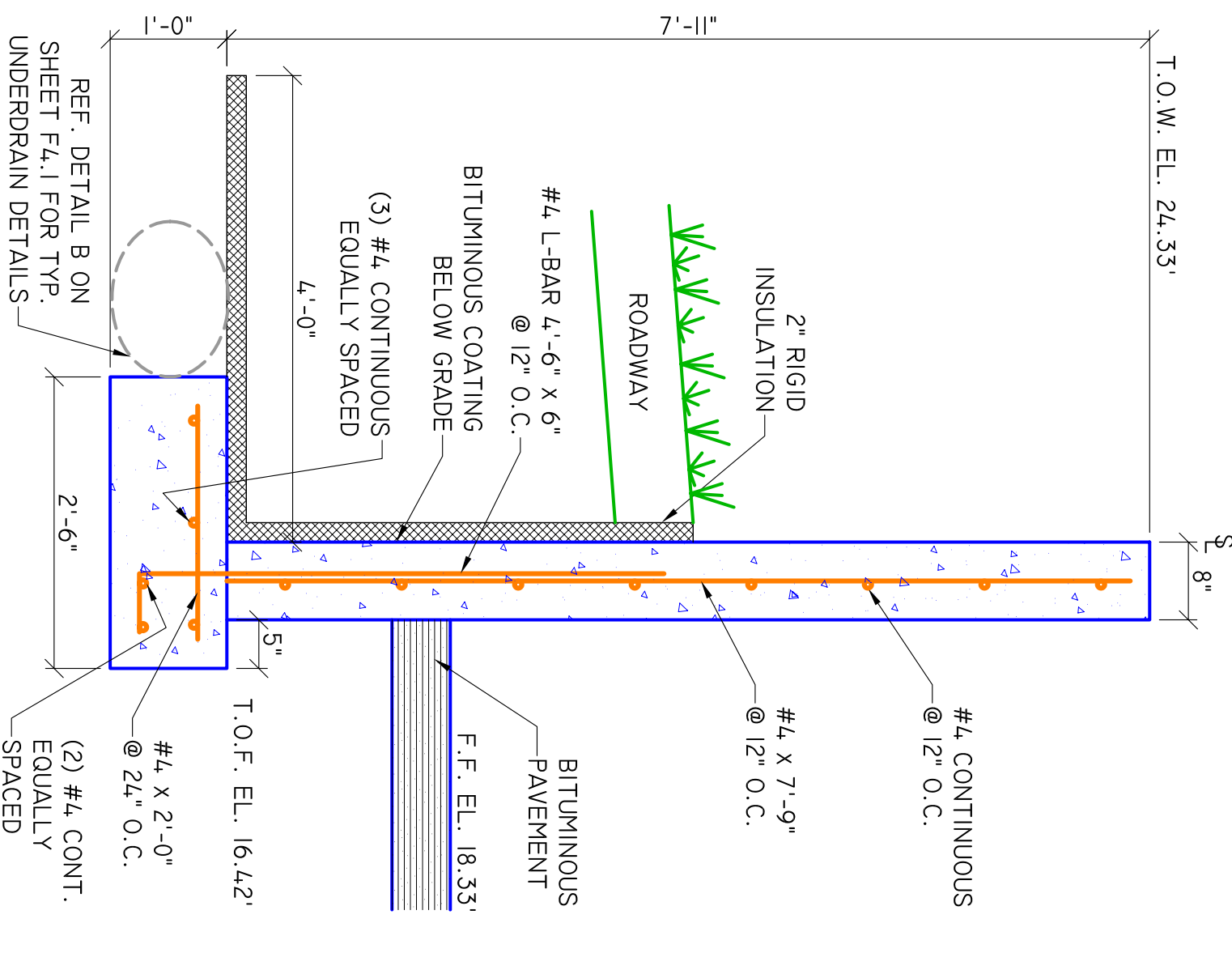
WALL SECTION 1
3/4"=1'-0"



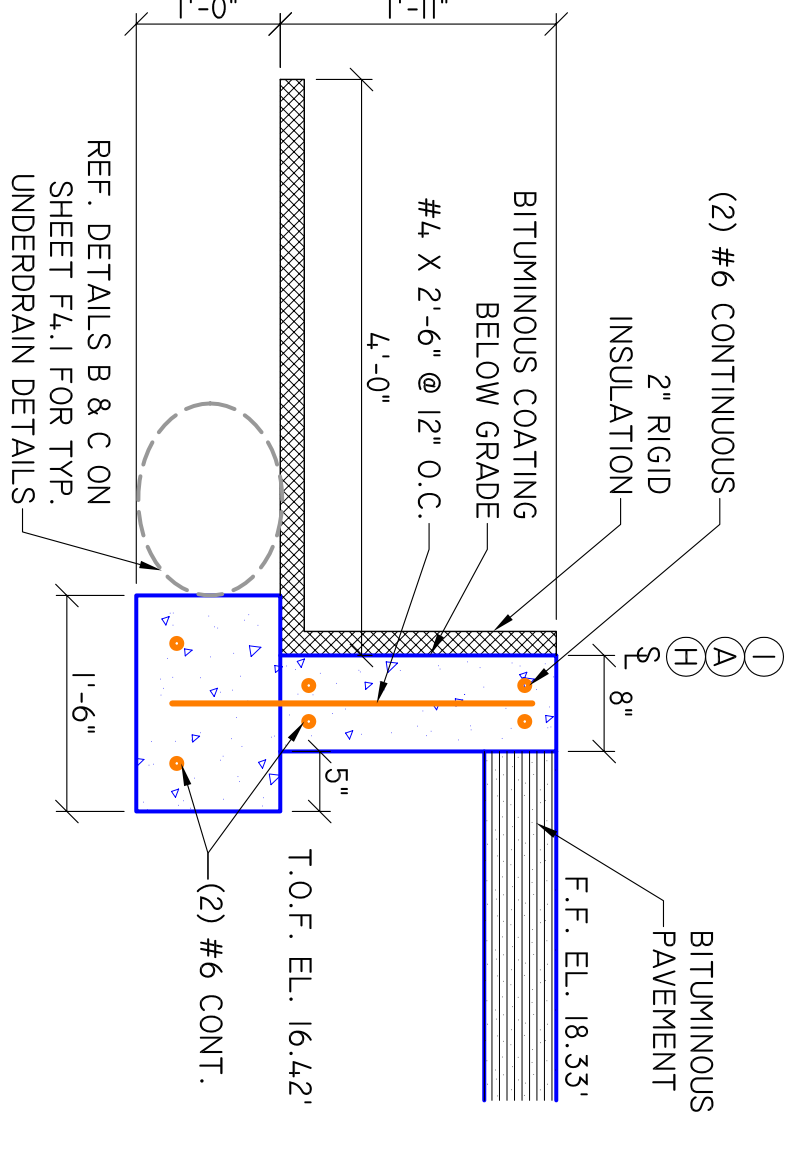
WALL SECTION 2
3/4"=1'-0"



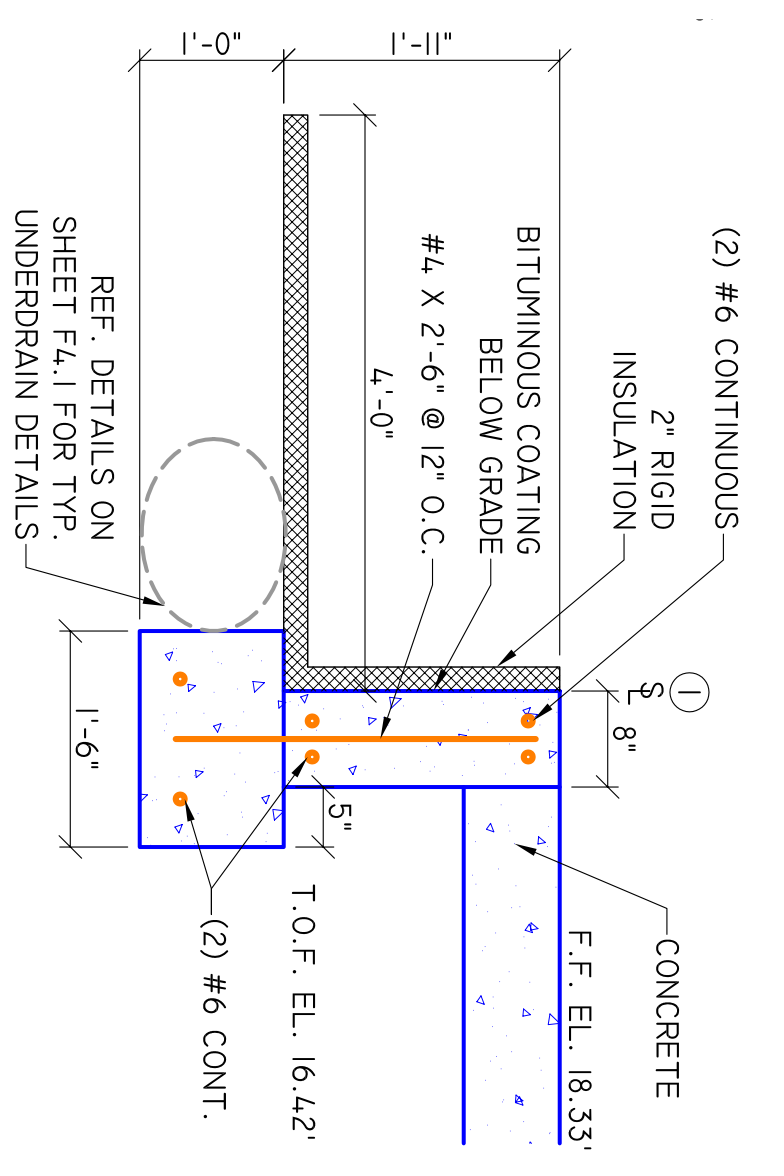
WALL SECTION 3
3/4"=1'-0"



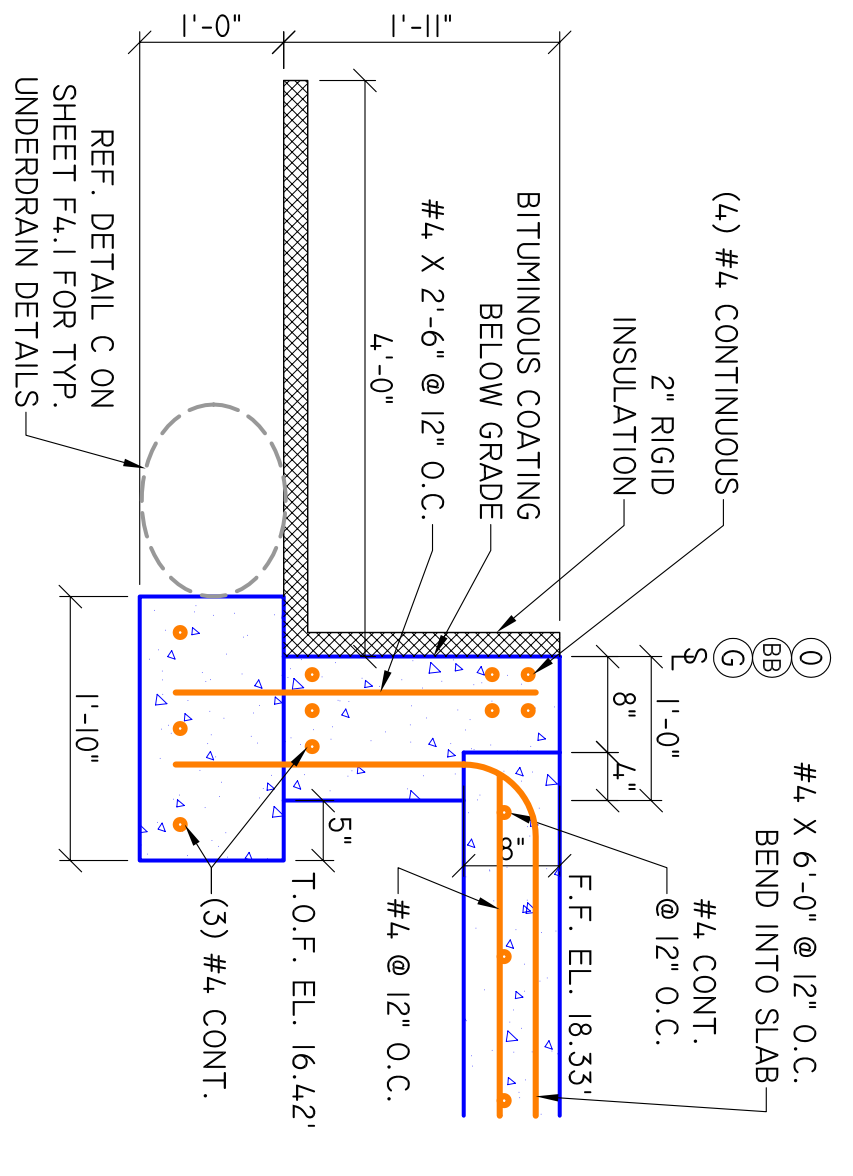
WALL SECTION 4
3/4"=1'-0"



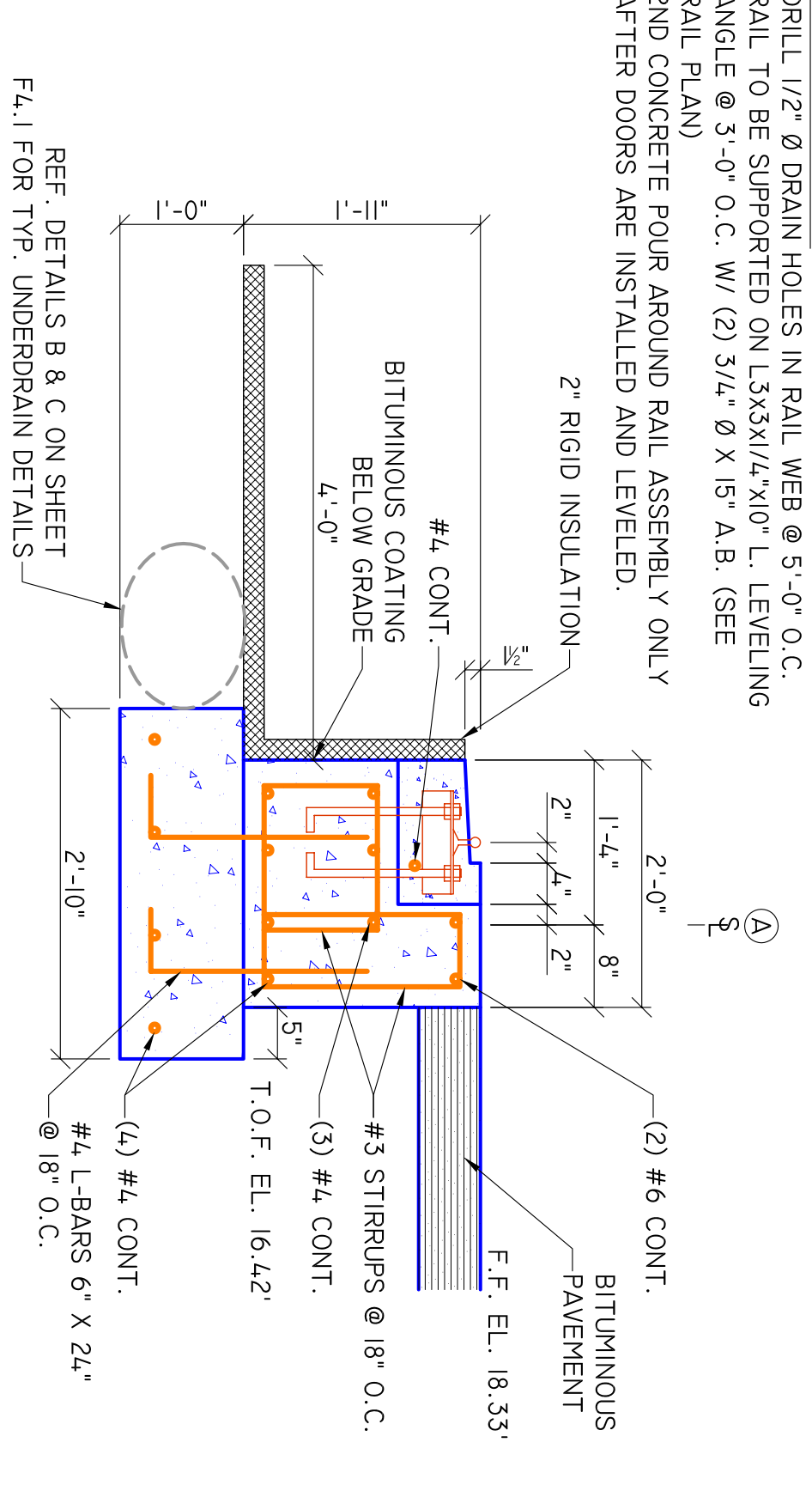
WALL SECTION 5
3/4"=1'-0"



WALL SECTION 6
3/4"=1'-0"



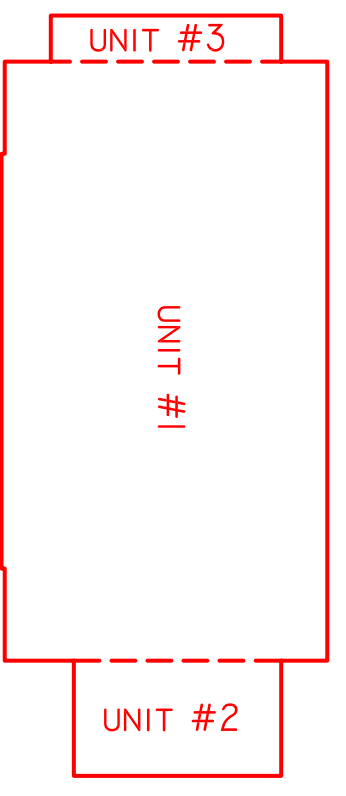
WALL SECTION 7
3/4"=1'-0"



WALL SECTION 8
3/4"=1'-0"

RAIL INFORMATION:
DRILL 1/2" Ø DRAIN HOLES IN RAIL WEB @ 5'-0" O.C.
RAIL TO BE SUPPORTED ON L3X3X1/4"X10' L. LEVELLING
ANGLE @ 3'-0" O.C. W/ (2) 3/4" Ø X 15" A.B. (SEE
RAIL PLAN)
END CONCRETE FOUR AROUND RAIL ASSEMBLY ONLY
AFTER DOORS ARE INSTALLED AND LEVELLED.

- NOTES:
1.) REFERENCE PLAN F7 FOR TYPICAL UNDERDRAIN AND SUBGRADE INFORMATION.
2.) FOUNDATION INSULATION EXTENDS OUT FROM FOUNDATION LINE 4'-0" TYP. OF GRIDS 0-11.
3.) ALL FOOTINGS NOT SUPPORTED BY PILES WILL HAVE 12" STONE PAD PER DETAIL B ON SHEET F7.



DATE	REVISION	EST. NO.	SIZE	TYPE	DRAWN BY	APPROVED BY	SCALE	DATE	JOB NO.	ENGINEERING	DWG. NO.	SECTION(S) & DETAILS (WALLS)	DESIGN BUILDER
06/03/04	ISSUED FOR FOUNDATION PERMIT	83406			SPD	AS NOTED	05/24/04		030017	ENGINEERING	F6	FOUNDATION SECTIONS & DETAILS (WALLS)	Sheridan FAIRFIELD PORTLAND MAINE

WARNING: THIS DRAWING IS THE PROPERTY AND INSTRUMENT OF SERVICE OF SHERIDAN ENGINEERING. NO REPRODUCTION OR CHANGE MAY BE MADE TO THIS DRAWING AND NO USE MAY BE MADE OF THIS DRAWING WITHOUT THE EXPRESS WRITTEN PERMISSION OF SHERIDAN ENGINEERING. CONSULT THE PROJECT ARCHITECT FOR ANY AND ALL VARIATIONS FROM THIS DRAWING.