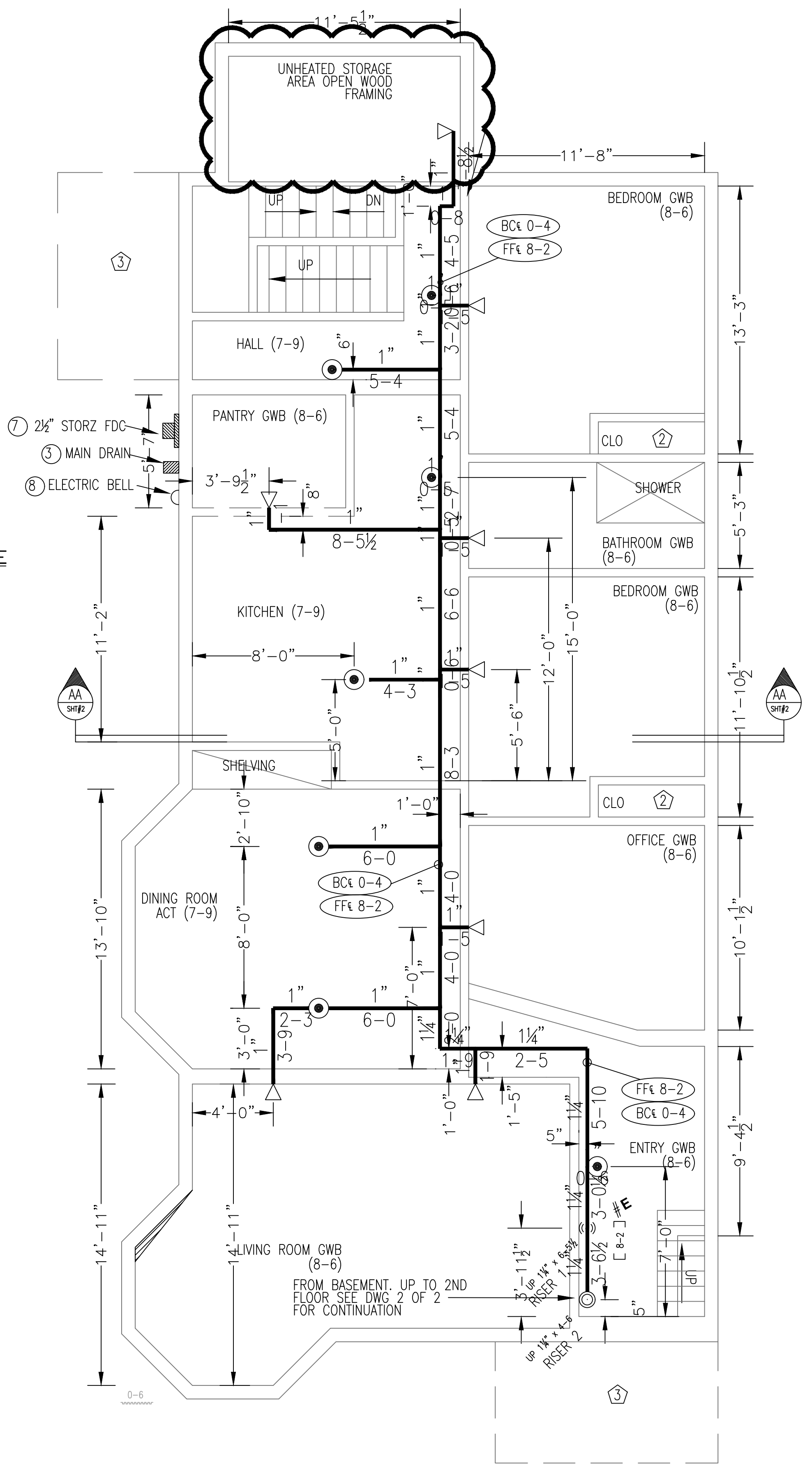


**FIRE SPRINKLER PLAN - BASEMENT**  
 SCALE: 1/4"=1'-0"  
 AREA PROTECTED: 1485 SQ.FT.  
 FINISH FLOOR ELEVATION: 92'-0"  
 COLOR CODE: WHITE

Symbol	Count	Thread	K-Factor	Description	Note
○	16	1/2"	5.6	RELIABLE F1FR56 OR BRASS UPRIG SIN#RA1425 200"	on Line
16 = Total Number of Heads This Floor					

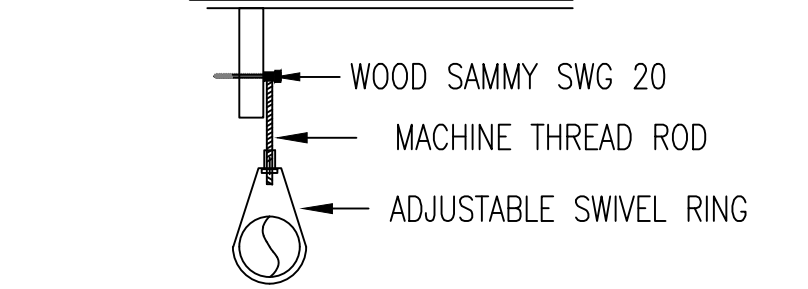
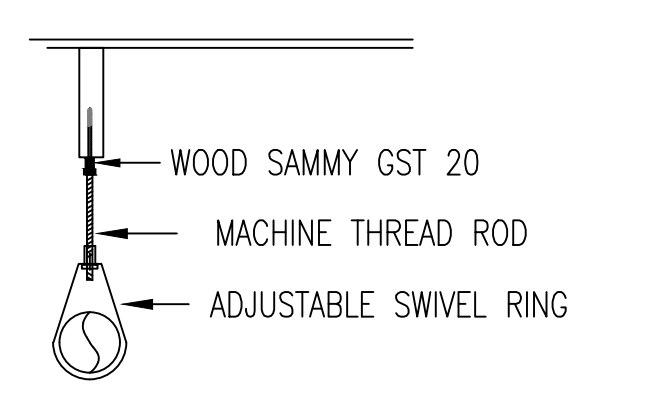
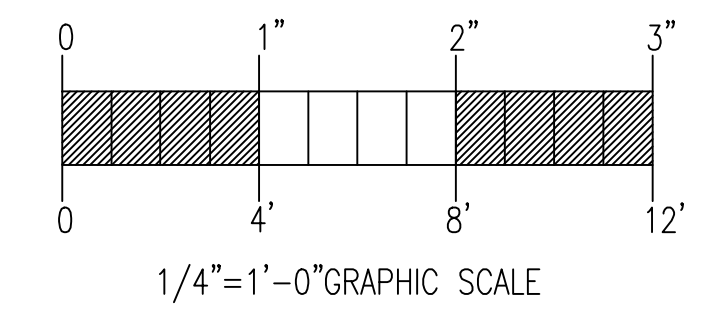
**HYDRAULIC-SYSTEM**  
 THIS BUILDING IS PROTECTED BY A HYDRAULICALLY DESIGNED AUTOMATIC SPRINKLER SYSTEM.  
 LOCATION: BASEMENT  
 NFPA # 13R  
 BASIS OF DESIGN:  
 1. GPM PER HEAD .15  
 2. NUMBER OF HEADS (CALCULATED) 4  
 SYSTEM DEMAND:  
 1. WATER FLOW RATE (GPM) 82.381  
 2. RESIDUAL PRESSURE AT THE BASE OF THE RISER 85.378 (PSI)

**HYDRAULIC DATA NAMEPLATE**  
 TO BE MOUNTED AT SYSTEM RISER

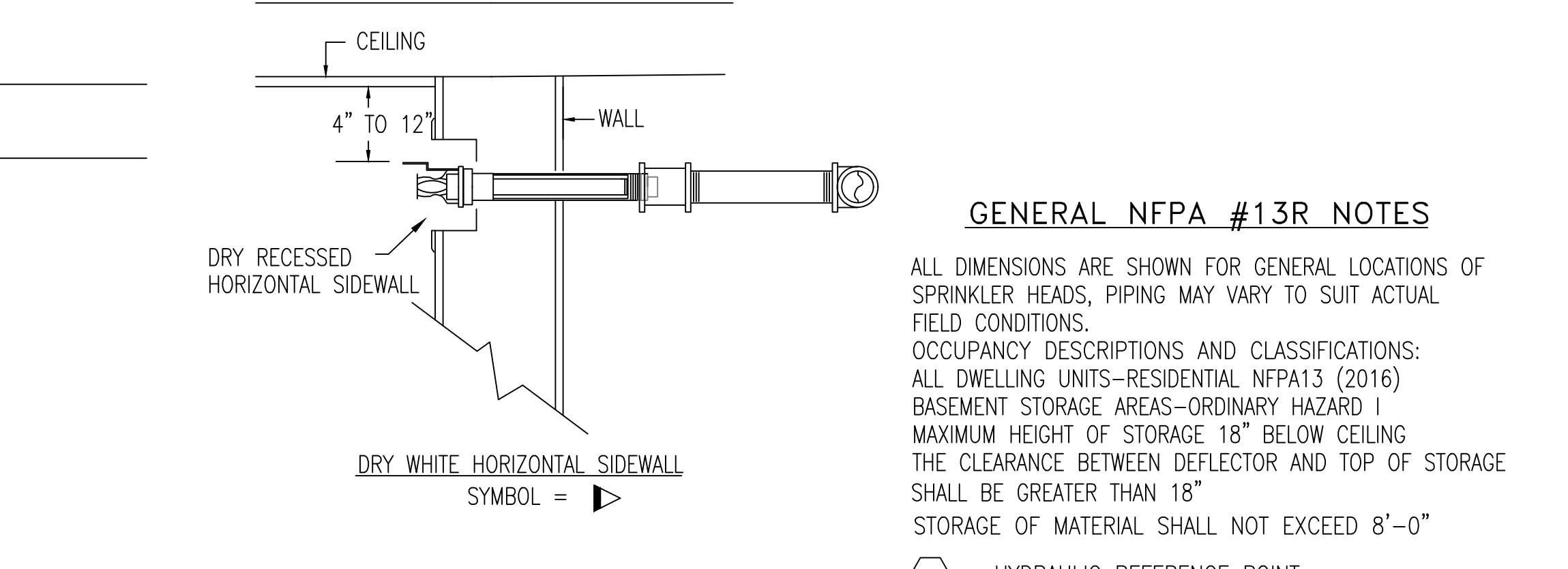
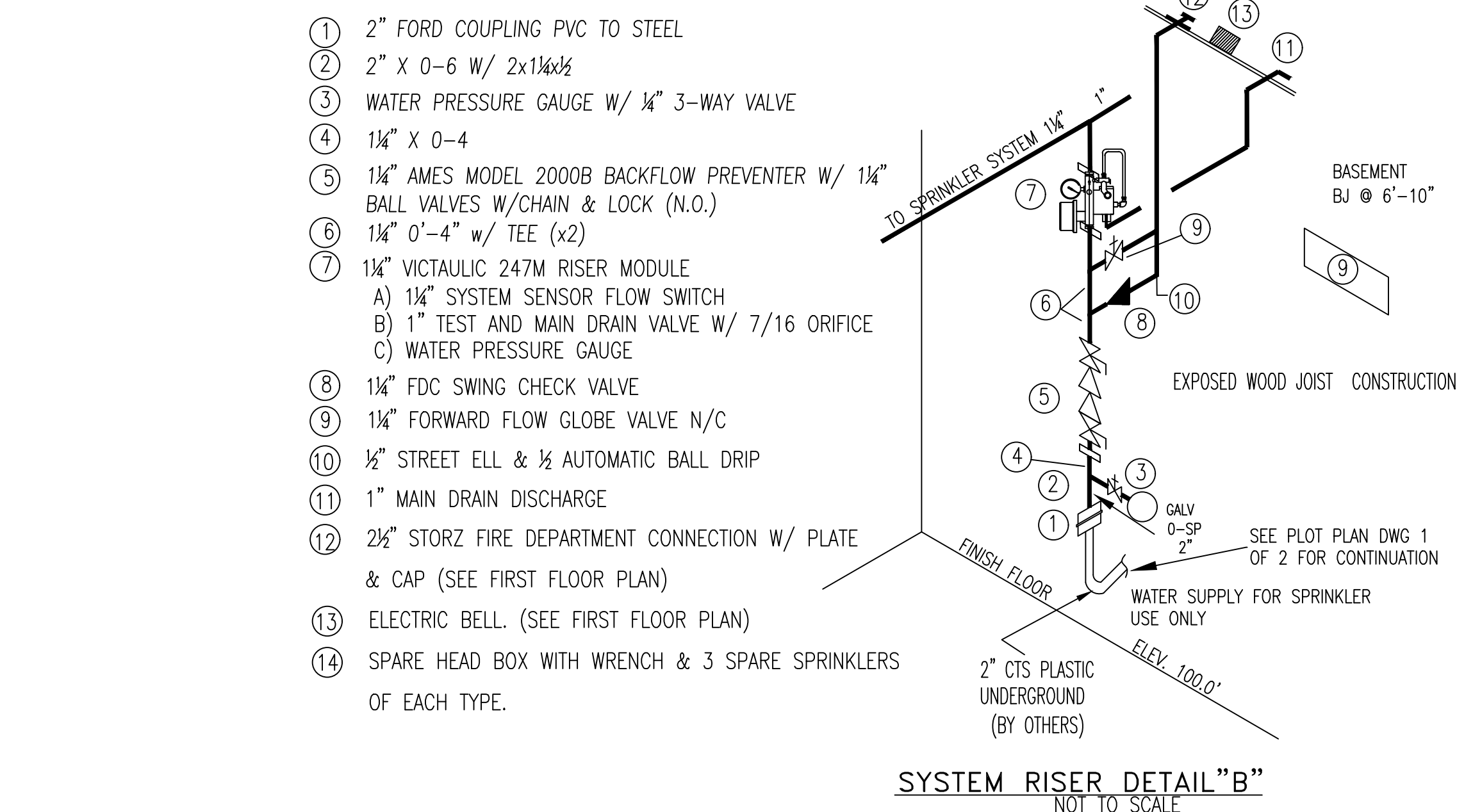
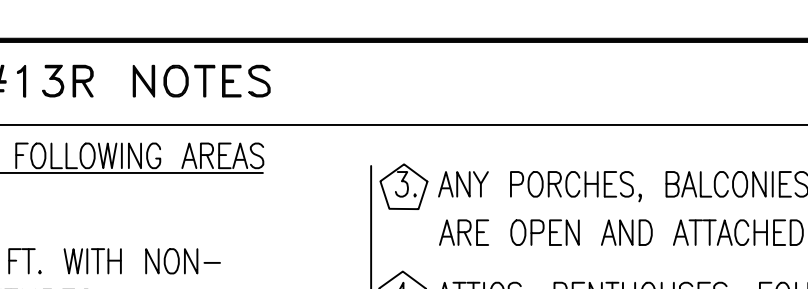
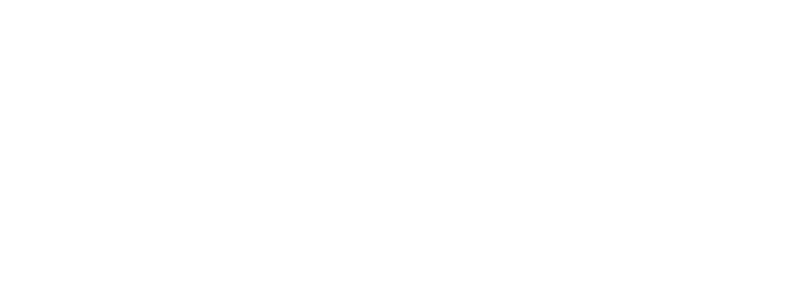
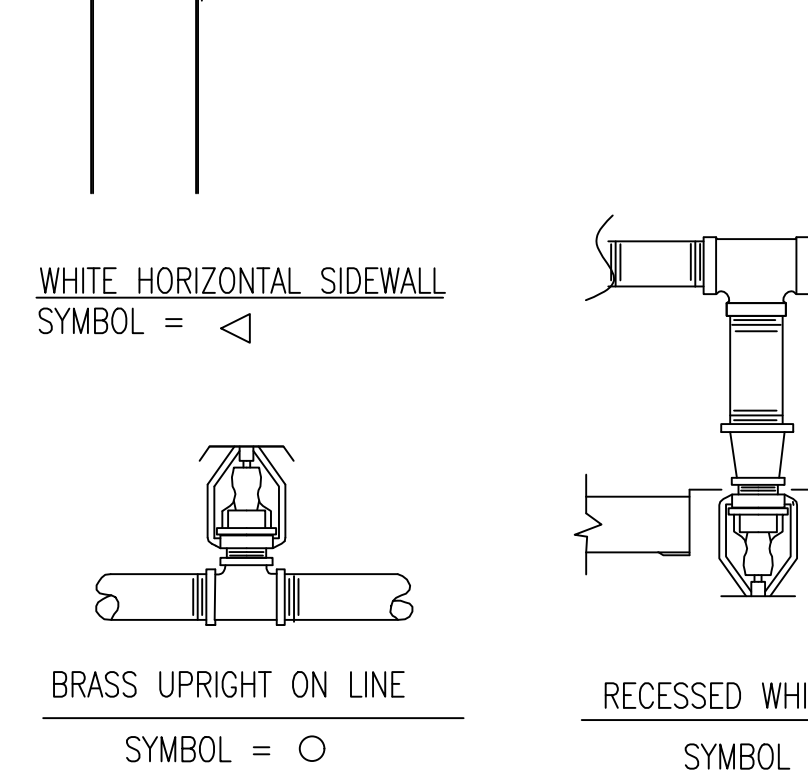
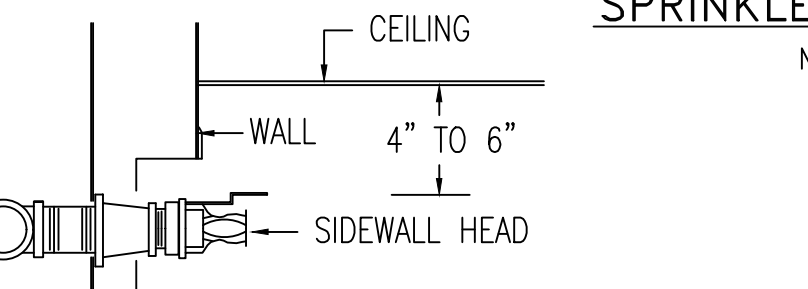
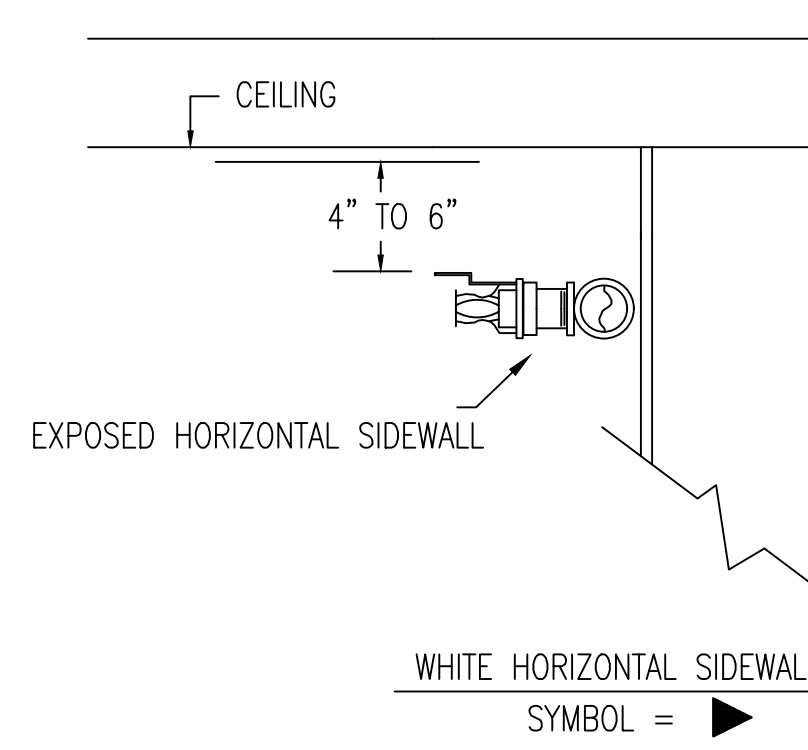


**FIRE SPRINKLER PLAN - FIRST FLOOR**  
 SCALE: 1/4"=1'-0"  
 AREA PROTECTED: 1485 SQ.FT.  
 FINISH FLOOR ELEVATION: 100'-0"  
 COLOR CODE:

Symbol	Count	Thread	K-Factor	Description	Note
●	7	1/2"	4.9	RELIABLE F1RES49 WHI OR RECESS R3516 175"	on Drop
◁	8	1/2"	4.4	RELIABLE F1RES44 OR RECESS WHI HSW SIN# R3531 175"	on Line
15 = Total Number of Heads This Floor					



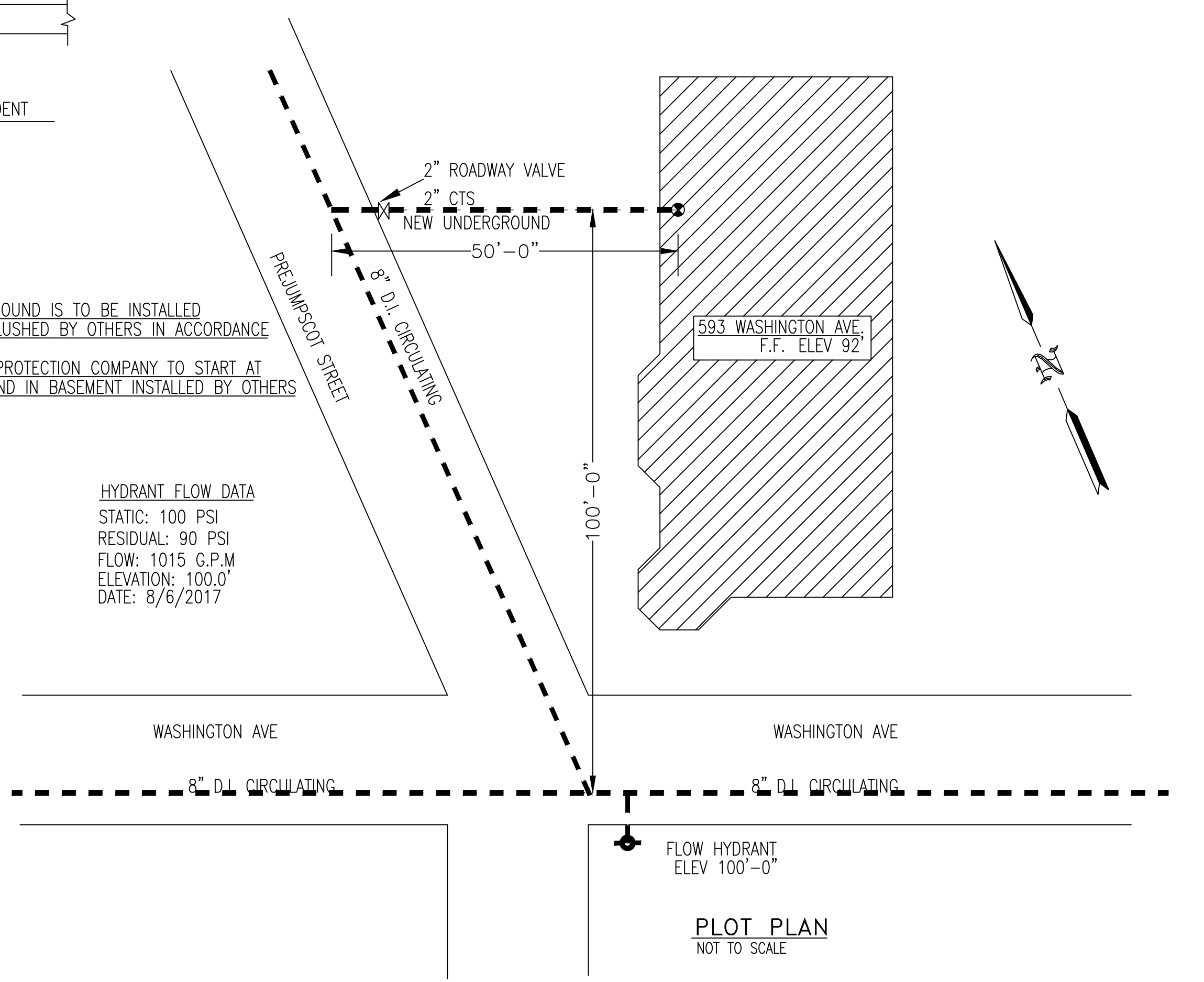
**HANGER DETAILS**  
 NOT TO SCALE  
 ALL HANGERS TO BE PROVIDED AND INSTALLED AS PER NFPA # 13 3/8" ROD FOR 1" TO 4" PIPE



**SCOPE OF WORK**  
 COMPLETE DESIGN, PERMITTING AND INSTALL OF ONE WET SPRINKLER SYSTEM FOR THE BUILDING LOCATED AT 593 WASHINGTON AVE PORTLAND, MAINE. WET SPRINKLER DESIGN PER NFPA 13R 2016 EDITION.

**WORK BY OTHERS**  
 1-DRAFT STOPPING OF BASEMENT INTO 500 SQ. FT. SECTIONS MAXIMUM.  
 2-ALL CUTTING AND PATCHING OF G.W.B. WALLS  
 3-ALL ELECTRICAL WIRING  
 4-INSTALLATION, TESTING, FLUSHING, AND CHLORINATING OF ALL UNDERGROUND PIPE IN COMPLIANCE W/ NFPA 24

NOTE: UNDERGROUND IS TO BE INSTALLED TESTED, AND FLUSHED BY OTHERS IN ACCORDANCE WITH NFPA 24  
 EASTERN FIRE PROTECTION COMPANY TO START AT 2" UNDERGROUND IN BASEMENT INSTALLED BY OTHERS



**HYDRANT FLOW DATA**  
 STATIC: 100 PSI  
 RESIDUAL: 90 PSI  
 FLOW: 1015 G.P.M  
 ELEVATION: 100.0'  
 DATE: 8/6/2017

**GENERAL NFPA #13R NOTES**

SPRINKLER SYSTEM INSTALLATION TO COMPLY WITH NFPA PAMPHLET # 13R-2016  
 PIPING IN THROUGHOUT TO BE BLACK SCHEDULE 40, JOINED WITH THREADED DUCTILE IRON FITTINGS. (C = 120)  
 SECOND FLOOR PIPING TO BE CPVC (C = 150)  
 OWNER TO PROVIDE SUFFICIENT HEAT THROUGHOUT BUILDING TO PREVENT FREEZING OF WATER FILLED SPRINKLER PIPING AND EQUIPMENT (40°F MIN.).  
 ALL WIRING TO BE DONE BY OTHERS

SPRINKLERS ARE NOT REQUIRED IN THE FOLLOWING AREAS AS PER NFPA 13R: 2016  
 ① BATHROOMS NOT EXCEEDING 55 SQ. FT. WITH NON-COMBUSTIBLE CONSTRUCTION & FIXTURES  
 ② CLOTHES CLOSETS, LINEN CLOSETS, AND PANTRIES WITHIN THE DWELLING UNITS WHERE THE AREA OF THE SPACE DOES NOT EXCEED 24 SQ. FT. WITH THE WALLS AND CEILING SURFACED WITH NON-COMBUSTIBLE OR LIMITED-COMBUSTIBLE MATERIALS AS DEFINED BY NFPA 220.

③ ANY PORCHES, BALCONIES, CORRIDORS, AND STAIRS THAT ARE OPEN AND ATTACHED.  
 ④ ATTICS, PENTHOUSES, EQUIPMENT ROOMS, CRAWL SPACES, FLOOR/CEILING SPACES, ELEVATOR SHAFTS, AND ANY OTHER CONCEALED SPACES THAT ARE NOT USED OR INTENDED FOR FOR LIVING PURPOSES OR STORAGE.  
 ⑤ CLOSETS ON EXTERIOR BALCONIES REGARDLESS OF SIZE AS LONG AS THERE ARE NO DOORS OR UNPROTECTED PENETRATIONS FROM THE CLOSET DIRECTLY INTO THE DWELLING.

REQUIRED APPROVALS	593 WASHINGTON AVE	FIRE SPRINKLER PLANS & DETAILS
OWNER / ARCHITECT	PORTLAND, ME	DWG. NO. 1 OF 2
STATE FIRE MARSHAL		JOB NUMBER 1-05652-SPN-17
PORTLAND FIRE DEPARTMENT		SCALE AS NOTED
DRAWN BY SEC NICET LEVEL I CERT.# 141357	CONTRACT WITH: OWNER	DATE 8/28/2017
CHECKED BY GRD NICET LEVEL III CERT.# 090388	<b>EASTERN FIRE PROTECTION</b> AUBURN/LEWISTON INDUSTRIAL AIRPARK, AUBURN, MAINE 04210	
CONTRACTOR LICENSE # 101		
CONTRACTOR RMS # 291		