



EnergyUSA Propane

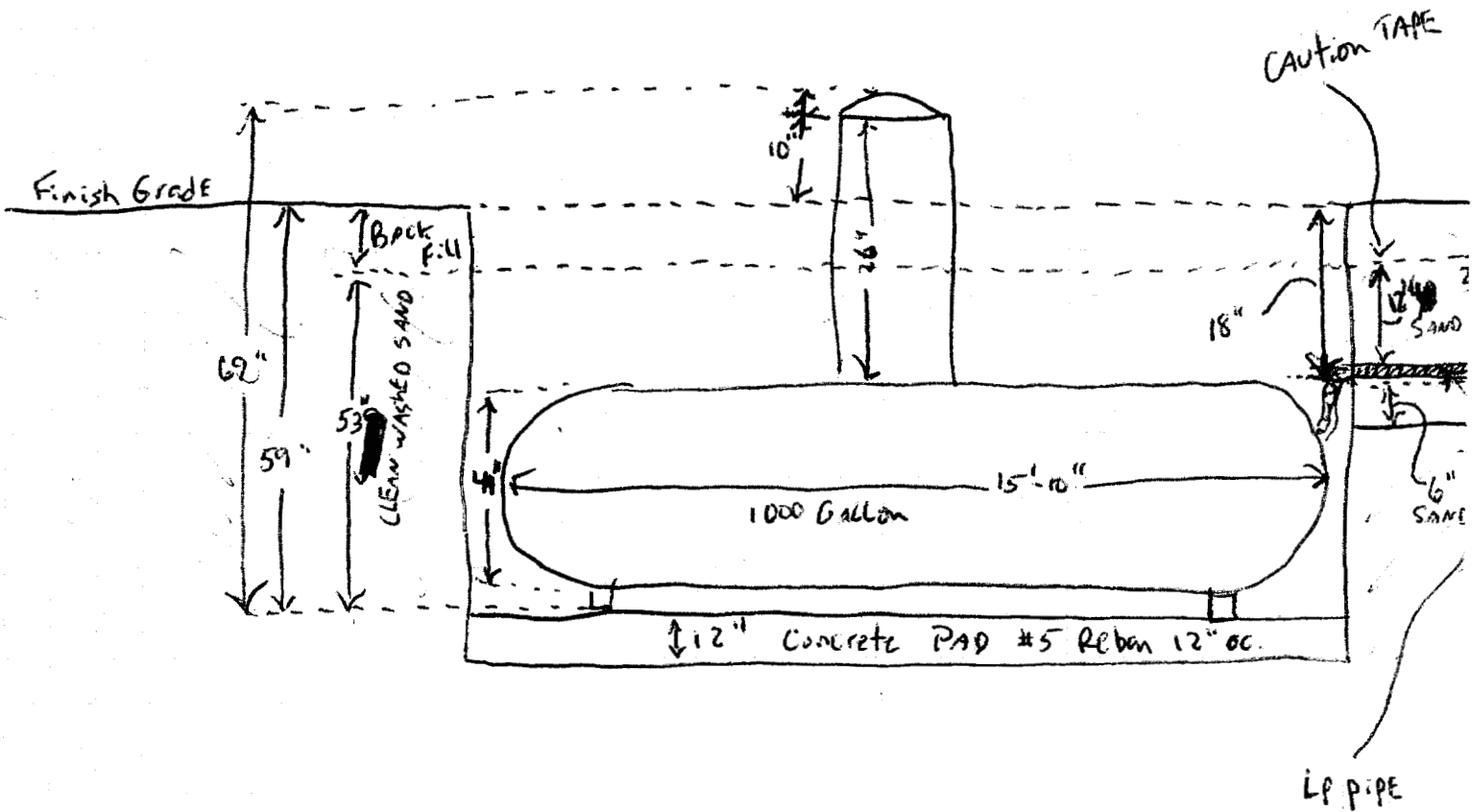
A North American Propane Company

1-800-822-1300

DATE _____

PAGE NO. _____

BY _____





EnergyUSA Propane

A North American Propane Company

1-800-822-1300

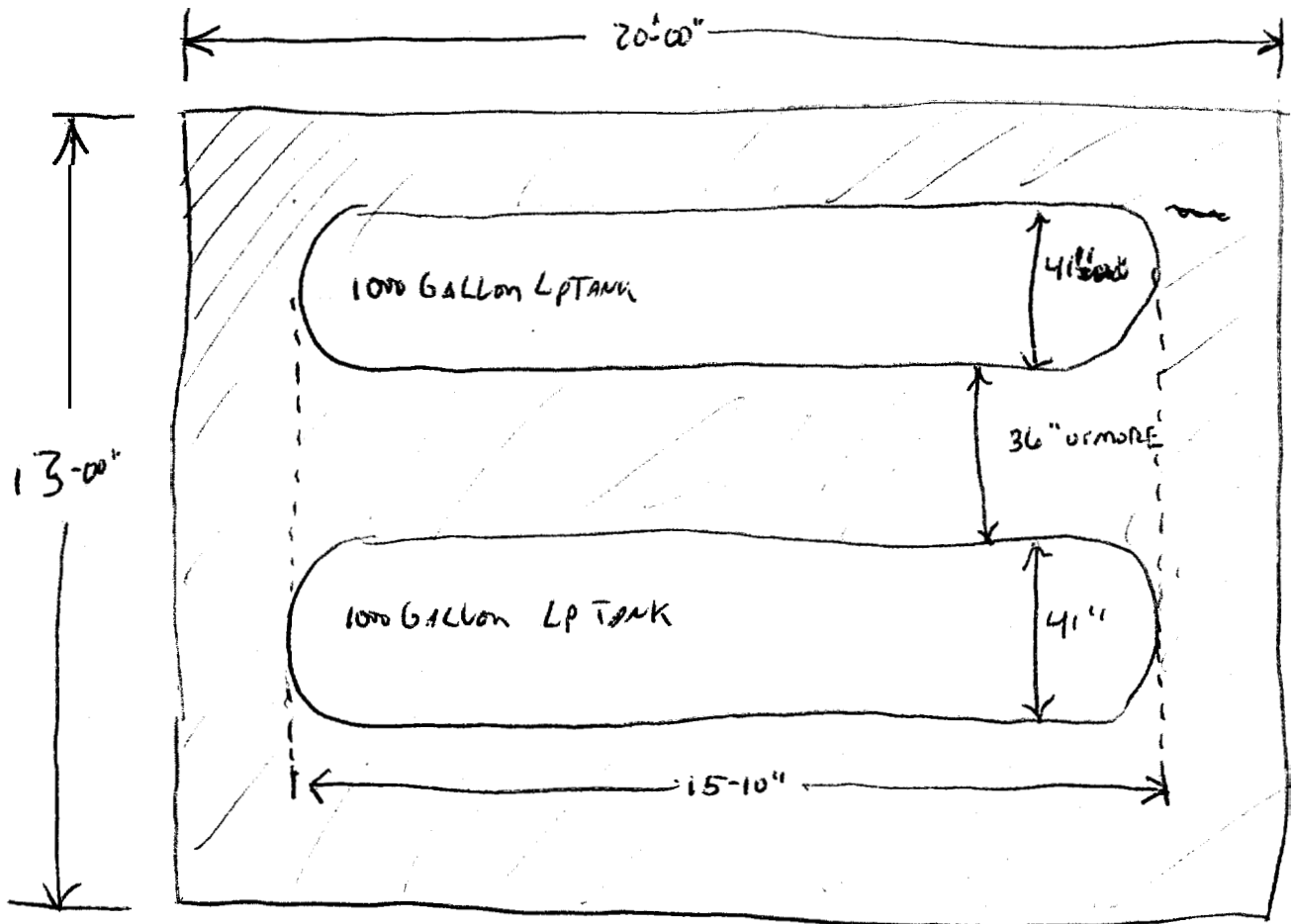
DATE 7-10-05

PAGE NO. _____

Portland Water District

BY _____

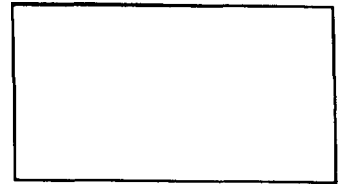
- ① TANK PAD per contractor 13' x 20' x 12" thick #5 Rebar @ 12" oc Eachway
- ② 1/4" CABLE TO ANCHOR TANKS
- ③ EACH TANK Cathode protected w/ 2 ANODE BAGS
- ④ TANK bonnets protected with Jersey Barriers (contractor provided)





FILL IN AND SIGN WITH INK

APPLICATION FOR PERMIT HEATING OR POWER EQUIPMENT



To the INSPECTOR OF BUILDINGS, PORTLAND, ME.

The undersigned hereby applies for a permit to install the following heating, cooking or power equipment in accordance with the Laws of Maine, the Building Code of the City of Portland, and the following specifications:

Location / CBL 570 marginal way GBS Use of Building WASTE WATER Date 7-10-05

Name and address of owner of appliance Waterline Industries -> Portland Water District

Installer's name and address Energy USA Propane 29 VANNEB AVE PORTLAND ME 04102
Telephone 207-874-6388

Location of appliance:

- Basement
- Attic
- Floor
- Roof

Type of Fuel:

- Gas
- Oil
- Solid

Appliance Name:

U.I. Approved Yes No

Will appliance be installed in accordance with the manufacture's installation instructions? Yes No

IF NO Explain: _____

The Type of License of Installer:

- Master Plumber # _____
- Solid Fuel # _____
- Oil # _____
- Gas # PVT 1137 Kevin Fitzgerald
- Other _____

Type of Chimney:

- Masonry Lined
Factory built _____
- Metal
Factory Built U.L. Listing # _____
- Direct Vent
Type _____

Type of Fuel Tank

- Oil
- Gas

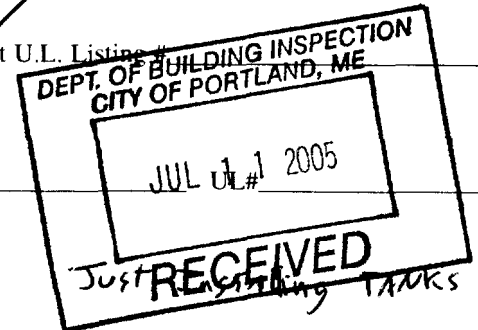
Size of Tank 1000 Gallon underground

Number of Tanks 2

Distance from Tank to Center of Flame 25' r feet.

Cost of Work: \$ 6800-

Permit Fee: \$ 8400



Approved

Fire: _____
Ele.: _____
Bldg.: _____

Signature of Installer [Signature]

Approved with Conditions

- See attached letter or requirement

Inspector's Signature _____

Date Approved _____