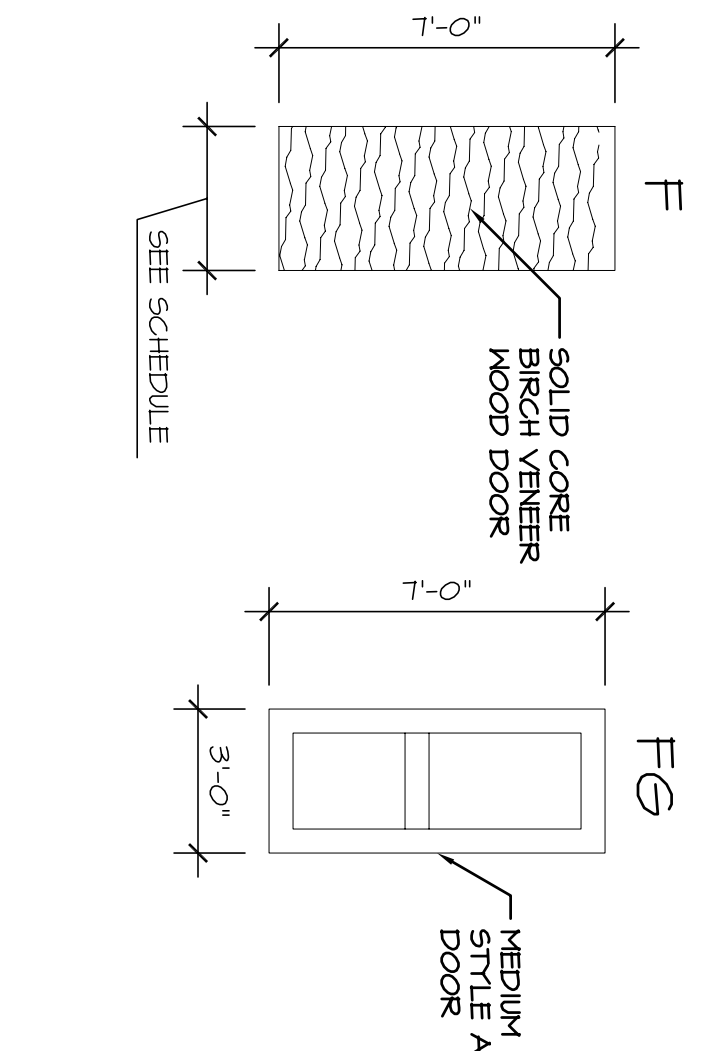
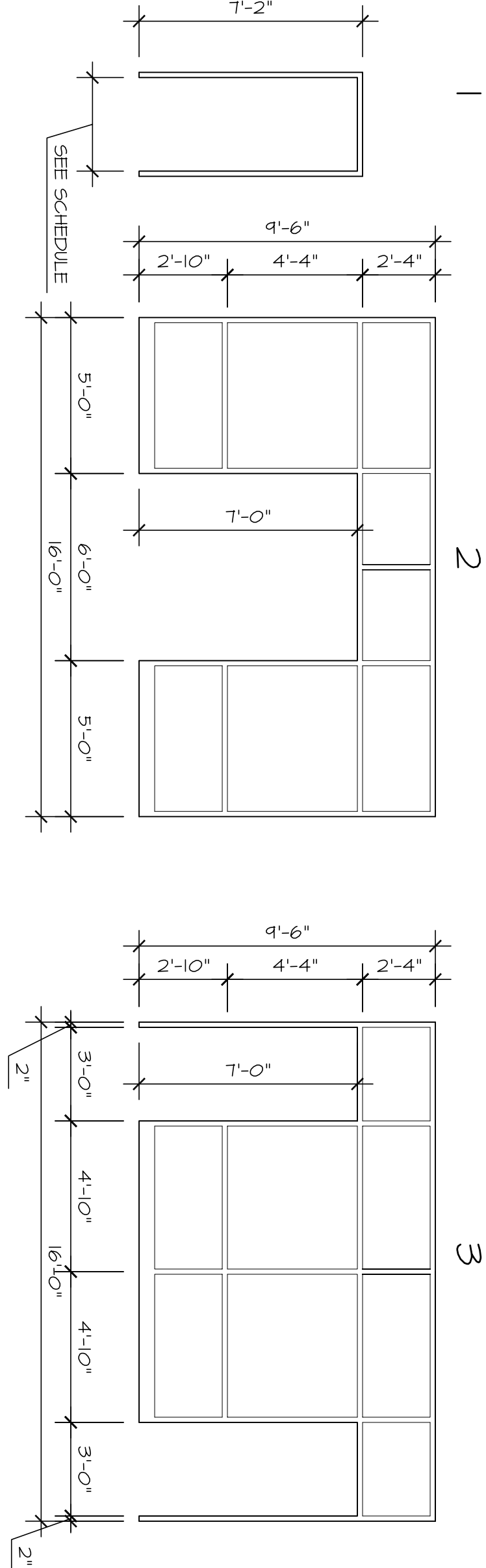


COPYRIGHT (C) BY CUBELLIS ASSOCIATES INC. ALL RIGHTS RESERVED.
 NO PART OF THIS DOCUMENT MAY BE REPRODUCED, STORED IN A RETRIEVAL SYSTEM, OR TRANSMITTED IN ANY FORM OR BY ANY MEANS, ELECTRONIC,
 MECHANICAL, PHOTOCOPYING, RECORDING OR OTHERWISE WITHOUT THE EXPRESS WRITTEN CONSENT OF CUBELLIS ASSOCIATES INC.
 ANY MODIFICATIONS MADE TO THIS DOCUMENT WITHOUT THE WRITTEN PERMISSION OF CUBELLIS ASSOCIATES INC. SHALL RENDER IT INVALID AND UNUSABLE.

A3
 NTS
DOOR TYPES



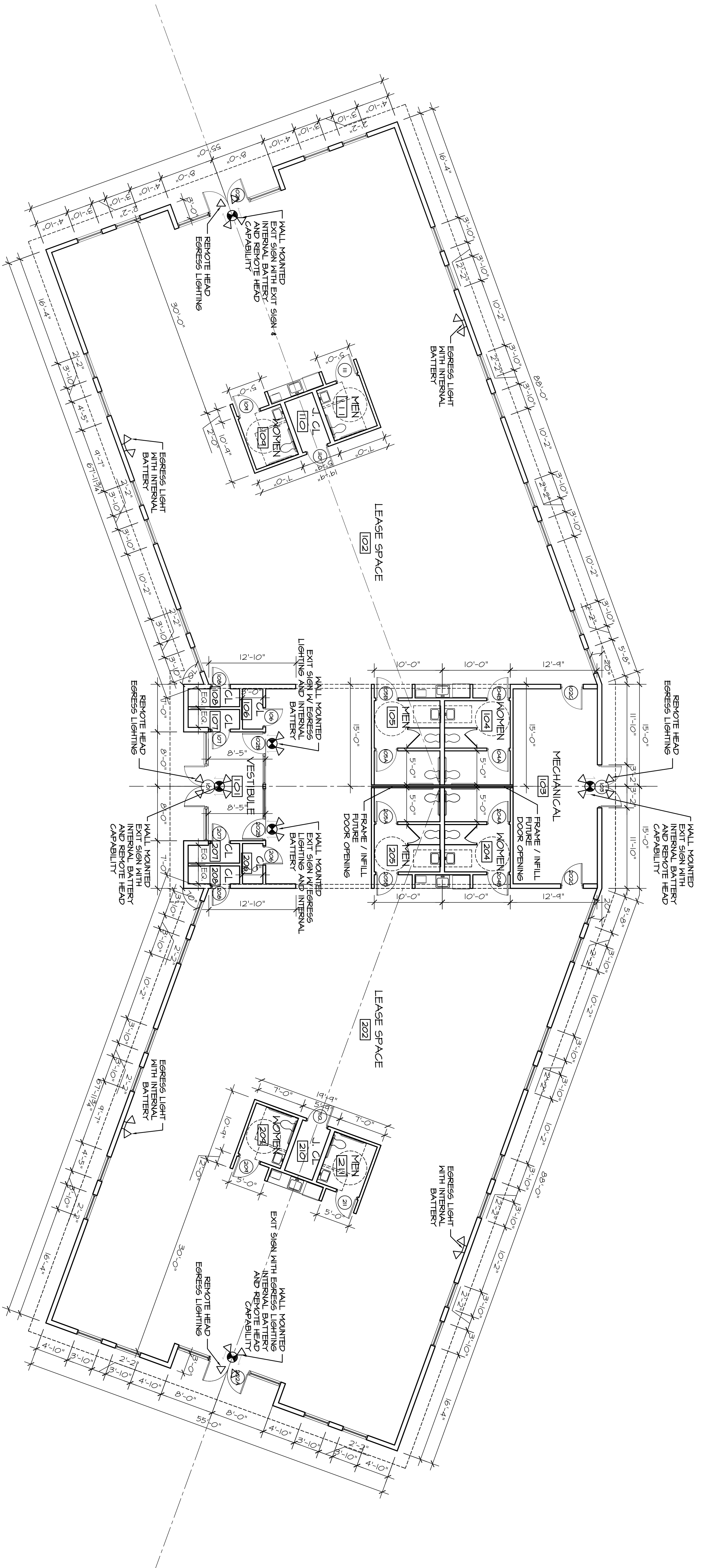
A2
 NTS
DOOR FRAME TYPE



A1
 NTS
DOOR SCHEDULE

NUM	WD	HGT	THK	MATL	TYPE	GLASS	MATL	FRAME	TYPE	HARDWARE
101	6'-0"	7'-0"	1 1/2"	AL	FG	TMP	AL	2	2	KEYED ENTRY LOCKSET WITH CLOSER AND PANIC HARDWARE
102A	6'-0"	7'-0"	1 1/2"	AL	FG	TMP	AL	2	2	KEYED ENTRY LOCKSET WITH CLOSER AND PANIC HARDWARE
102B	3'-0"	7'-0"	1 1/2"	AL	FG	TMP	AL	3	3	KEYED ENTRY LOCKSET WITH CLOSER AND PANIC HARDWARE
102C	3'-0"	7'-0"	1 1/2"	AL	FG	TMP	AL	3	3	KEYED STOREROOM LOCKSET WITH CLOSER AND PANIC HARDWARE
103	3'-0"	7'-0"	1 1/2"	STL	FG	---	HM	1	1	KEYED STOREROOM LOCKSET WITH CLOSER AND PANIC HARDWARE
104A	3'-0"	7'-0"	1 1/2"	WD	FG	---	HM	1	1	PRIVATE LOCKSET
104B	3'-0"	7'-0"	1 1/2"	WD	FG	---	HM	1	1	PUSH PULL HARDWARE WITH CLOSER
105A	3'-0"	7'-0"	1 1/2"	WD	FG	---	HM	1	1	PRIVATE LOCKSET
105B	3'-0"	7'-0"	1 1/2"	WD	FG	---	HM	1	1	PUSH PULL HARDWARE WITH CLOSER
106	2'-6"	7'-0"	1 1/2"	WD	FG	---	HM	1	1	PASSAGE SET
107	2'-6"	7'-0"	1 1/2"	WD	FG	---	HM	1	1	KEYED ENTRY LOCKSET
108	2'-6"	7'-0"	1 1/2"	WD	FG	---	HM	1	1	KEYED ENTRY LOCKSET
109	3'-0"	7'-0"	1 1/2"	WD	FG	---	HM	1	1	PRIVATE LOCKSET WITH CLOSER
110	3'-0"	7'-0"	1 1/2"	WD	FG	---	HM	1	1	PRIVATE LOCKSET
111	3'-0"	7'-0"	1 1/2"	WD	FG	---	HM	1	1	PUSH PULL HARDWARE WITH CLOSER
202A	6'-0"	7'-0"	1 1/2"	AL	FG	TMP	AL	2	2	KEYED ENTRY LOCKSET WITH CLOSER AND PANIC HARDWARE
202B	3'-0"	7'-0"	1 1/2"	AL	FG	TMP	AL	3	3	KEYED ENTRY LOCKSET WITH CLOSER AND PANIC HARDWARE
202C	3'-0"	7'-0"	1 1/2"	WD	FG	---	HM	1	1	STOREROOM LOCKSET
204A	3'-0"	7'-0"	1 1/2"	WD	FG	---	HM	1	1	PRIVATE LOCKSET
204B	3'-0"	7'-0"	1 1/2"	WD	FG	---	HM	1	1	PUSH PULL HARDWARE WITH CLOSER
205A	3'-0"	7'-0"	1 1/2"	WD	FG	---	HM	1	1	PRIVATE LOCKSET
205B	3'-0"	7'-0"	1 1/2"	WD	FG	---	HM	1	1	PUSH PULL HARDWARE WITH CLOSER
206	2'-6"	7'-0"	1 1/2"	WD	FG	---	HM	1	1	PASSAGE SET
207	2'-6"	7'-0"	1 1/2"	WD	FG	---	HM	1	1	KEYED ENTRY LOCKSET
208	2'-6"	7'-0"	1 1/2"	WD	FG	---	HM	1	1	KEYED ENTRY LOCKSET
209	3'-0"	7'-0"	1 1/2"	WD	FG	---	HM	1	1	PRIVATE LOCKSET WITH CLOSER
210	3'-0"	7'-0"	1 1/2"	WD	FG	---	HM	1	1	PRIVATE LOCKSET
211	3'-0"	7'-0"	1 1/2"	WD	FG	---	HM	1	1	PUSH PULL HARDWARE WITH CLOSER

B1
 1/8" = 1'-0"
FLOOR PLAN



TITLE
 PLANS
SCALE
 AS NOTED

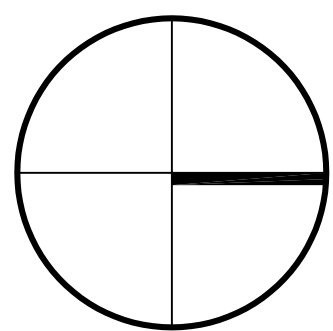
OWNER
 JERRY ADE

DATE
 DVS

CHECKED BY
 GDN

ROUNDHOUSE

BUILDING 1
PORTLAND, MAINE



PROJECT NORTH

NO	DATE	REVISIONS
1	08/18/05	PERMITTING
2		