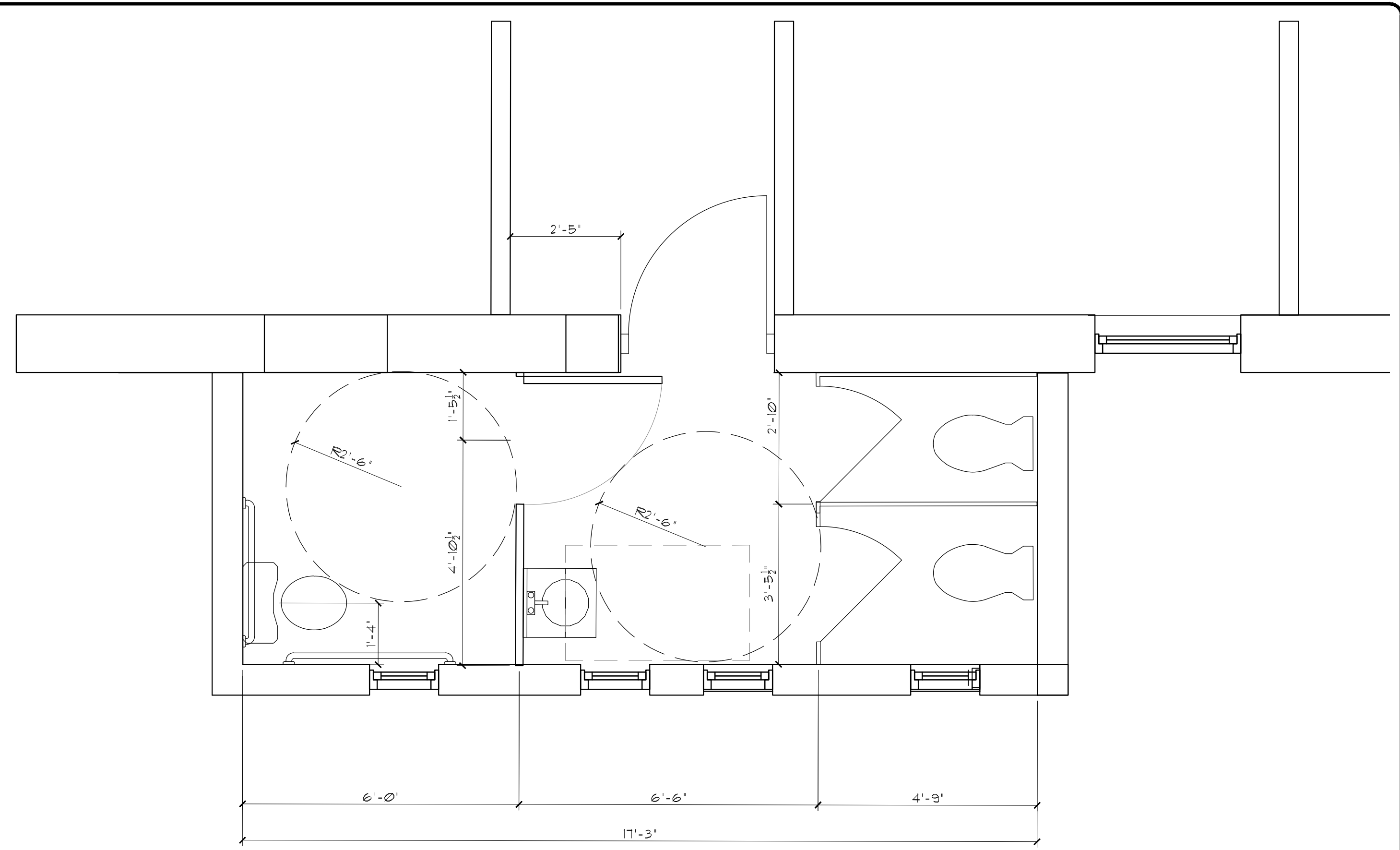
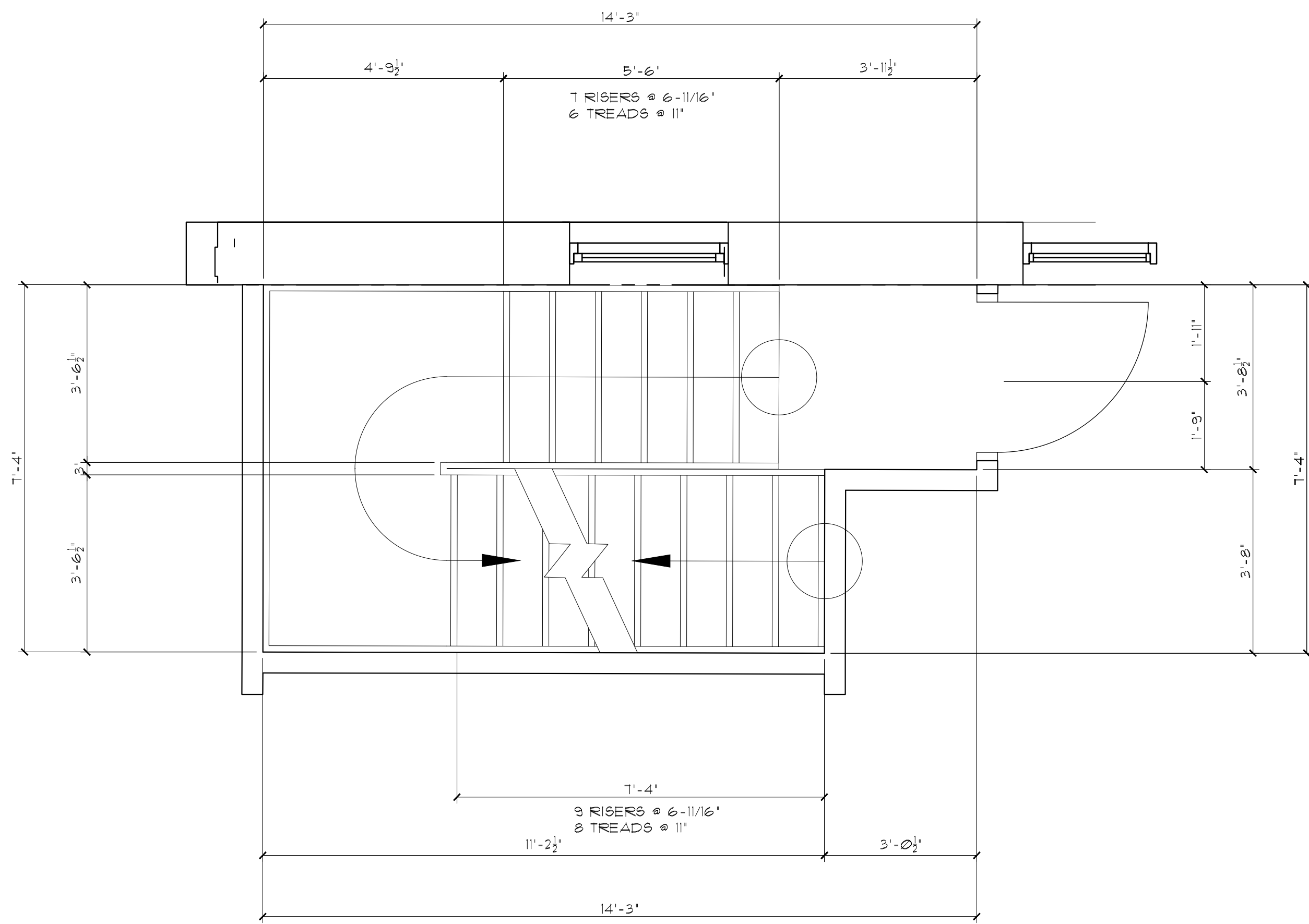


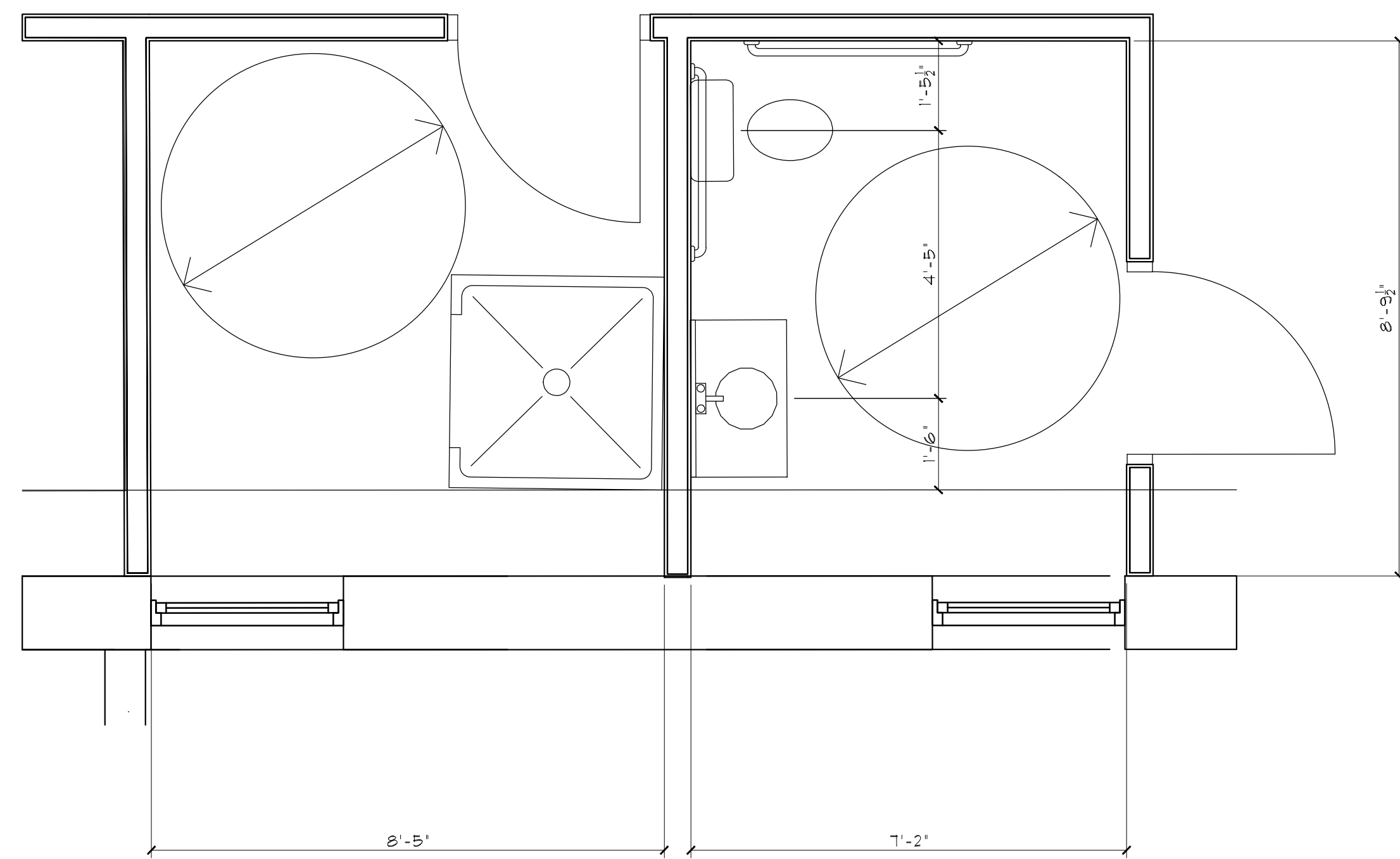
MAIN FLOOR MEN'S RESTROOM
SCALE: 1/2" = 1'-0"



MAIN FLOOR WOMEN'S RESTROOM
SCALE: 1/2" = 1'-0"



MAIN STAIR
SCALE: 1/2" = 1'-0"

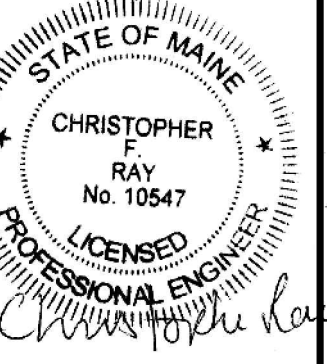


LOWER FLOOR REST & SHOWER ROOMS
SCALE: 1/2" = 1'-0"

PROPERTY OF



235 Riverside Industrial Parkway
Portland, ME 04102



RENOVATIONS TO
ROUNDHOUSE
125 Presumpscot Street, Portland, Maine

BY:	JJO
NO. REMARKS	ISSUED FOR PERMITTING
DATE	05-30-13
CODE:	IBC 2009
TOWN:	PORTLAND
DATE:	05-30-13
SCALE:	AS NOTED
DRAWN:	JJO
TITLE:	Enlarged Rest Room Shower Room
FILE:	051-010-10
SHEET:	A1-05