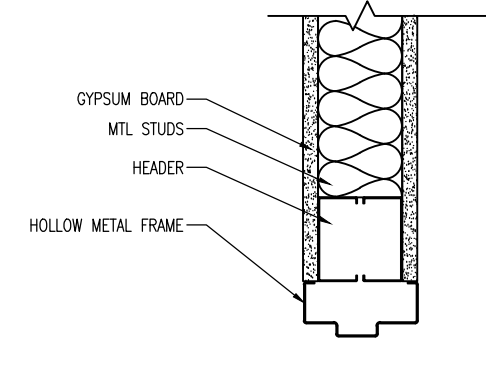
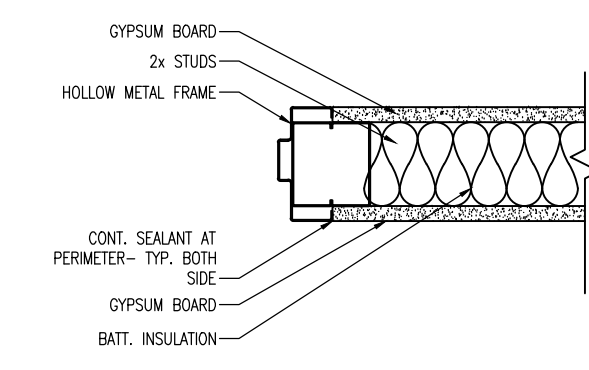
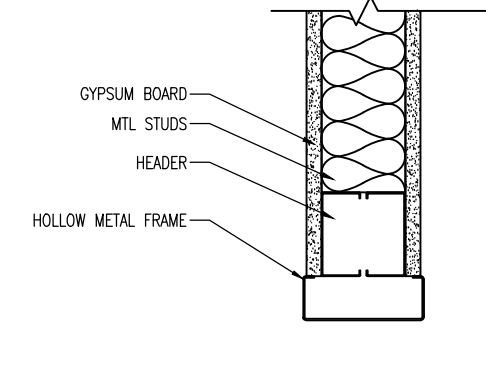
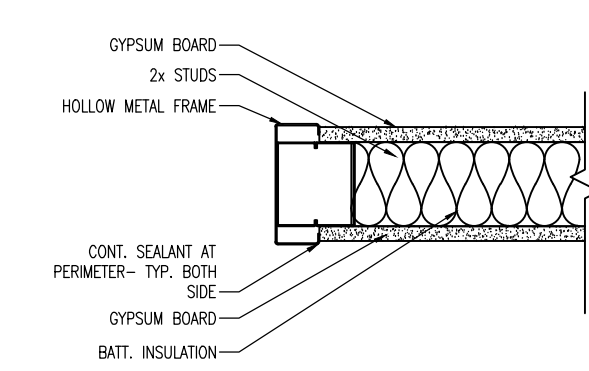
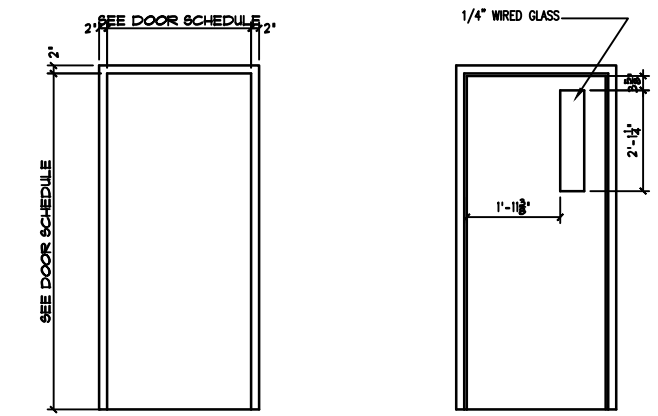


DOOR AND FRAME SCHEDULE

MARK	DOOR					FRAME							FIRE RATING LABEL	HARDWARE		NOTES
	SIZE			MATL	GLAZING	LOUVER		MATL	EL	DETAIL				SET NO	KEYSIDE RM NO	
	WD	HGT	THK			WD	HGT			HEAD	JAMB	SILL				
NOT USED	--	--	--	--	--	0	0"	--	--	--	--	--	--	--	--	--
2	3'-0"	7'-0"	1 3/4"	WD	--	0	0"	HM	--	4	3	--	1-HOUR	004	--	--
3	3'-0"	7'-0"	1 3/4"	AL	--	0	0"	HM	--	--	--	--	--	004	--	ALUMINUM STORE FRONT
4	3'-0"	7'-0"	1 3/4"	WD	--	0	0"	HM	--	4	3	--	--	003	--	--
5	3'-0"	7'-0"	1 3/4"	WD	--	0	0"	HM	--	4	3	--	--	NA	--	--
6	3'-0"	7'-0"	1 3/4"	WD	--	0	0"	HM	--	4	3	--	--	002	--	--
7	2'-8"	7'-0"	1 3/4"	WD	--	0	0"	HM	--	4	3	--	--	NA	--	--
8	3'-0"	7'-0"	1 3/4"	WD	--	0	0"	HM	--	--	--	--	--	004	--	--
9	3'-0"	7'-0"	1 3/4"	WD	--	0	0"	HM	--	--	--	--	--	--	--	EXISTING
10	3'-0"	7'-0"	1 3/4"	WD	--	0	0"	HM	--	--	--	--	--	--	--	EXISTING
11	3'-0"	7'-0"	1 3/4"	WD	--	0	0"	HM	--	4	3	--	--	003	--	--
12	3'-0"	7'-0"	1 3/4"	WD	--	0	0"	HM	--	4	3	--	--	002	--	--
13	3'-0"	7'-0"	1 3/4"	WD	--	0	0"	HM	--	4	3	--	--	--	--	--
14	3'-0"	7'-0"	1 3/4"	HM	--	0	0"	HM	--	4	3	--	1-HOUR	004	--	--



- | | | |
|--|---|--|
| <p>SET #001</p> <ul style="list-style-type: none"> 4 Hinges 2 Hinges 2 Door Pull 1 Magnalock 2 Closer 2 Kickplate 2 Wall Stop 1 Power Supply 2 Touch Sense Bar 1 Set Weatherstrip 2 Astragal 2 Door Bottom <p>SET #002</p> <ul style="list-style-type: none"> 3 Hinges 1 Door Pull 1 Closer 1 Kickplate 1 Push Plate 1 Wall Stop 3 Door Silencers | <p>SET #003</p> <ul style="list-style-type: none"> 3 Hinges 1 Lockset 1 Cylinder 1 Closer 1 Wall Stop 3 Door Silencers <p>SET #004</p> <ul style="list-style-type: none"> 3 Hinges 1 Exit Device 1 Closer 1 Kickplate 1 Set Weatherstrip 1 Door Bottom 1 Threshold | <p>SET #005</p> <ul style="list-style-type: none"> 5 Hinges 1 Hinges 2 Flush Bolt 1 Lockset 1 Cylinder 1 Electric Strike 1 Closer 2 Wall Stop 1 Dust Proof Strike 1 Set Weatherstrip 1 Weatherstrip 2 Auto Door Bottom 1 Threshold |
|--|---|--|



RENOVATIONS TO ROUNDHOUSE

Presumpscott Street, Portland, Maine

BY	JUC			
NO	REMARKS	ISSUED FOR PERMITTING		
DATE	03-27-12			
CODE:	IBC 2009			
TOWN:	PORTLAND			
DATE:	03-27-12			
SCALE:	AS NOTED			
DRAWN:	JUC			
TITLE:	DOOR SCHEDULE			
FILE:	051-010-10			
SHEET:	A0-03			