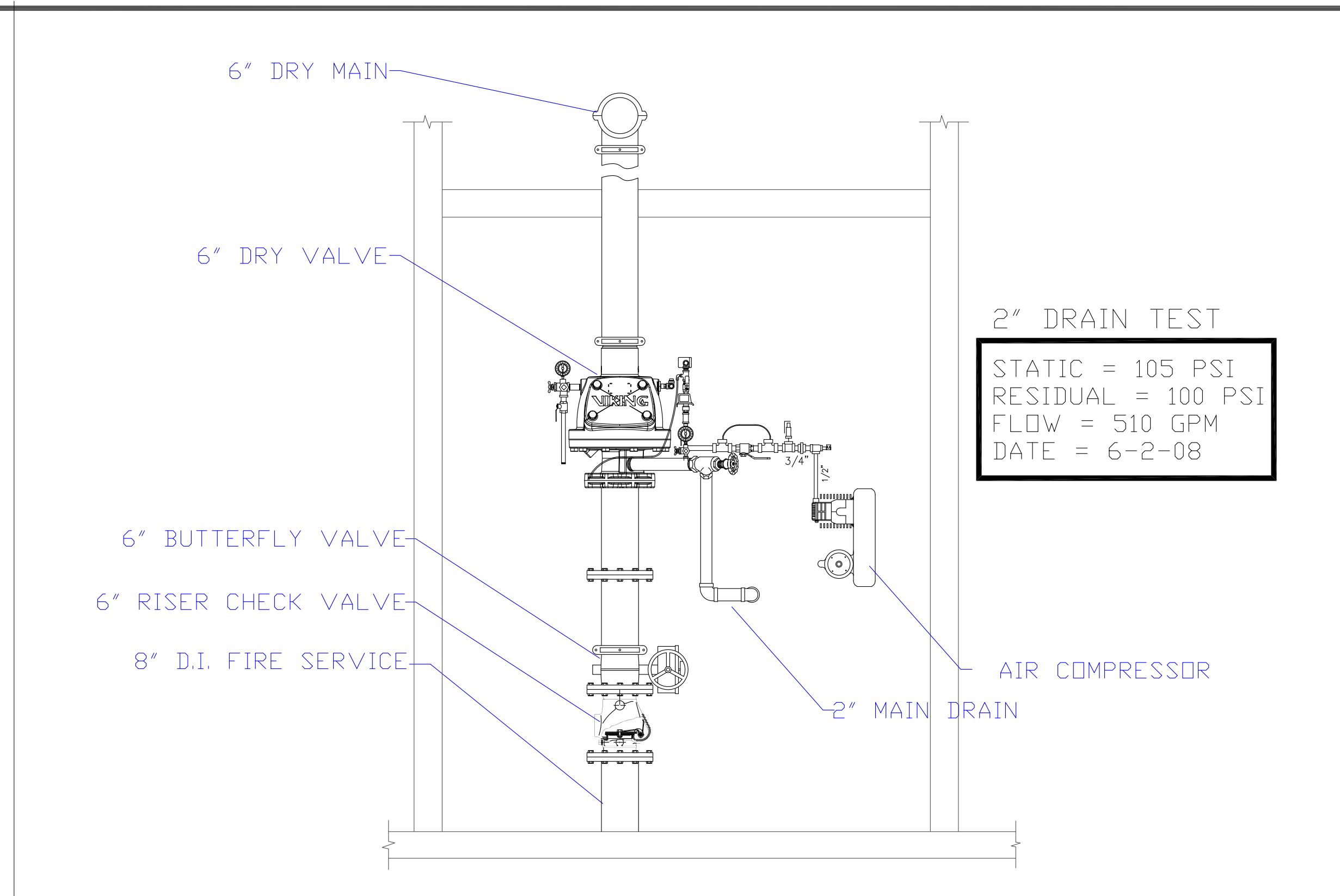


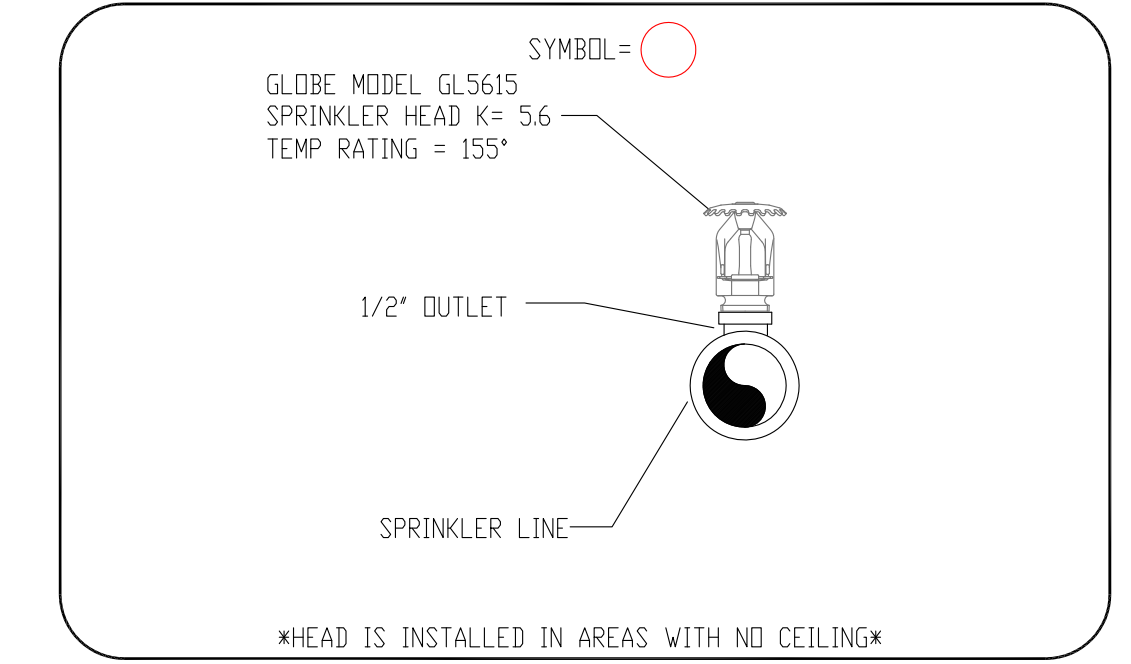
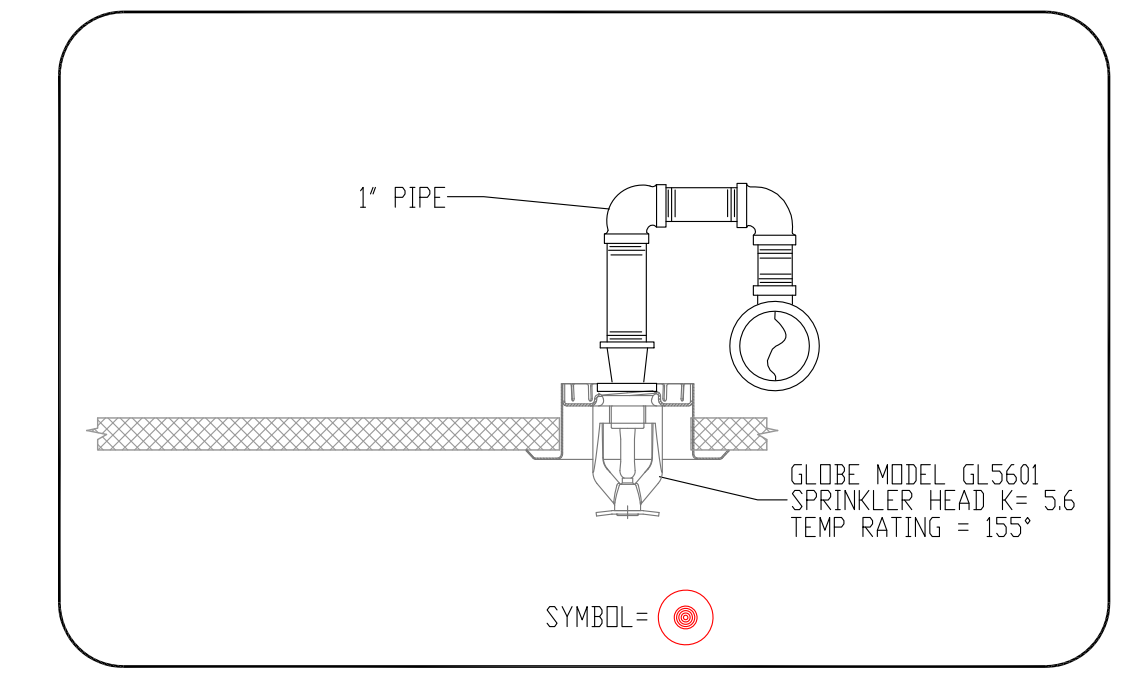
PROJECT SITE

FIRE DEPT. CONNECTION

S SITE DETAIL
SCALE: N.T.S.



R EXISTING RISER DETAIL
SCALE: N.T.S.



H HEAD DETAIL
SCALE: N.T.S.

HIGH TECH FIRE PROTECTION
P.O. BOX 158
MINOT, ME. 04258-0258
TEL:(207) 998-2551 FAX:(207) 998-4187

REVISIONS:
NO. DATE: DESCRIPTION:

LEGEND:
 ○ RN PIPE RISER UP
 ○ DN PIPE RISER DOWN
 — STEEL PIPE (LOW EXIST.)
 - - - STEEL PIPE (UPPER EXIST.)
 ⊕ SYSTEM UNDERGROUND

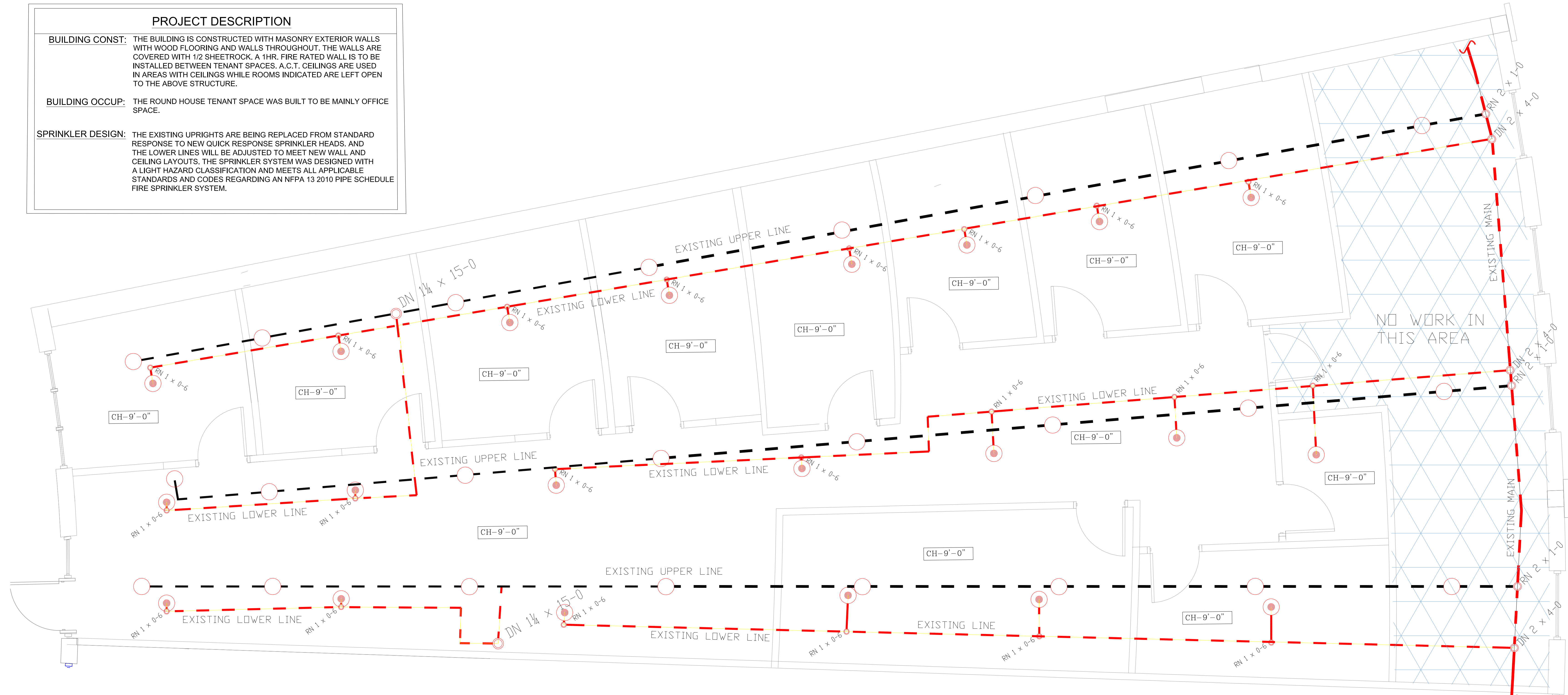
DESIGN NOTES:
 *ALL PIPING 1/2" AND SMALLER TO BE SCHEDULE 40 WITH APPROPRIATE FITTING.
 *POSITION, LOCATION, SPACING, AND USE OF SPRINKLERS SHALL BE IN ACCORDANCE WITH NFPA 13.
 *POSITION, LOCATION, SPACING, AND USE OF HANGERS SHALL BE IN ACCORDANCE WITH NFPA 13.
 *ALL ELECTRICAL WORK TO BE DONE BY OTHERS.
 *DIMENSIONS AND LOCATIONS GIVEN FOR SPRINKLER HEADS AND PIPE MAY VARY TO ACCOMMODATE ACTUAL FIELD CONDITIONS.
 *OWNER TO PROVIDE SUFFICIENT HEAT TO PREVENT FREEZING IN WATER FILLED SPRINKLER PIPE AND EQUIPMENT.
 *SPRINKLER HEADS ARE NOT TO BE INSTALLED IN CENTER OF TILE.
 ALL PENETRATIONS THROUGH FIRE RATED CEILING AND WALL ASSEMBLIES TO BE SEALED WITH HILTI FS-1 FIRE CAULK.

PROJECT DESCRIPTION

BUILDING CONST: THE BUILDING IS CONSTRUCTED WITH MASONRY EXTERIOR WALLS WITH WOOD FLOORING AND WALLS THROUGHOUT. THE WALLS ARE COVERED WITH 1/2 SHEETROCK. A 1HR. FIRE RATED WALL IS TO BE INSTALLED BETWEEN TENANT SPACES. A.C.T. CEILINGS ARE USED IN AREAS WITH CEILINGS WHILE ROOMS INDICATED ARE LEFT OPEN TO THE ABOVE STRUCTURE.

BUILDING OCCUP: THE ROUND HOUSE TENANT SPACE WAS BUILT TO BE MAINLY OFFICE SPACE.

SPRINKLER DESIGN: THE EXISTING UPRIGHTS ARE BEING REPLACED FROM STANDARD RESPONSE TO NEW QUICK RESPONSE SPRINKLER HEADS. AND THE LOWER LINES WILL BE ADJUSTED TO MEET NEW WALL AND CEILING LAYOUTS. THE SPRINKLER SYSTEM WAS DESIGNED WITH A LIGHT HAZARD CLASSIFICATION AND MEETS ALL APPLICABLE STANDARDS AND CODES REGARDING AN NFPA 13 2010 PIPE SCHEDULE FIRE SPRINKLER SYSTEM.



1 FIRST FLOOR PLAN
SCALE: 3/8" = 1'-0"
PROTECTED AREA: 2574 SQ. FT.

GLOBE*
MODEL GL5601
21 / 155°
K=5.6
1/2" WHITE SEMI REC. PENDENT

GLOBE*
MODEL GL5615
24 / 200°
K=5.6
1/2" BRASS UPRIGHT

TOTAL HEADS ON SHEET: 45
SCALE: 3/8" = 1'-0"
DATE: May 22, 2012
DESIGNER: TIM FORTIN
NICET LEVEL: III (RMS# 866)
CHECKED BY: E. POULIN
NICET LEVEL: IV (RMS# 515)
COMPANY LICENSE # 102

LOCATION:
125 PRESUMPCOT ST.
PORTLAND, ME

DRAWING TITLE:
ROUND HOUSE FIT-UP
FIRE PROTECTION PLAN
(NFPA 13 2010 ED.)

DRAWING NO.:
FP-1.0