

25: Exterior Lighting (14-526 (d) 6)

- Cut sheets of on-site light fixtures and any architectural or specialty lights (Technical Manual, Section 12)
- Engineered details for any lights proposed in street right-of-way (Technical Manual, Section 10)
 - (i) Dark sky compliant, energy efficient LED wall pack will be installed at the new freezer addition. The wall packs will provide illumination to supplement the existing approved site lighting and will provide for lighting safety, comfort and convenience. Light fixture cut sheets are included in this submittal section. No lights are proposed in the street right-of-way.
 - (ii) The project site does not abut residential development and does not require house-side shielding.

DESCRIPTION

The patent pending Lumark Crosstour™ LED Wall Pack Series of luminaries provides an architectural style with super bright, energy efficient LEDs. The low-profile, rugged die-cast aluminum construction, universal back box, stainless steel hardware along with a sealed and gasketed optical compartment make the Crosstour impervious to contaminants. The Crosstour wall luminaire is ideal for wall/surface, inverted mount for façade/canopy illumination, post/bollard and low level pathway illumination including stairs. Typical applications include building entrances, multi-use facilities, apartment buildings, institutions, schools, stairways and loading docks.

| | | | |
|-------------|------------|------|---------|
| Catalog # | XTOR3A PC1 | Type | |
| Project | AVX | Date | |
| Comments | | | |
| Prepared by | ERIC AUBE | | 5/01/12 |

SPECIFICATION FEATURES

Construction

Slim, low profile LED design with rugged one-piece, die-cast aluminum hinged removable door and back box. Matching housing styles incorporate both a small and large design. The small housing is available in 10W and 20W. The large housing is available in the 30W model. Patent pending secure lock hinge feature allows for safe and easy tool-less electrical connections with the supplied lever-lock connectors. Back box includes three (3) half-inch, NPT threaded conduit entry points. The universal back box supports both the small and large forms and mounts to standard 3-1/2" to 4" round and octagonal, 4" square, single gang and masonry junction boxes. Key hole gasket allows for adaptation to junction box or wall. External fin design extracts heat from the fixture surface. One-piece silicone gasket seals door and back box. Not recommended for car wash applications.

Optical

Silicone sealed optical LED chamber incorporates a custom engineered mirrored anodized reflector providing high-efficiency illumination. Optical assembly includes impact-resistant tempered glass and meets IESNA requirements for full cutoff compliance. Solid state LED Crosstour luminaires are thermally optimized with five (5) lumen packages in cool 5000K or neutral warm 3500K LED color temperature (CCT).

Electrical

LED driver is mounted to the die-cast housing for optimal heat sinking. LED thermal management system incorporates both conduction and natural convection to transfer heat rapidly away from the LED source. 10W models operate in -40°C to 40°C [-40°F to 104°F]. 20W and 30W models operate in -30°C to 40°C [-22°F to 104°F]. Crosstour luminaires

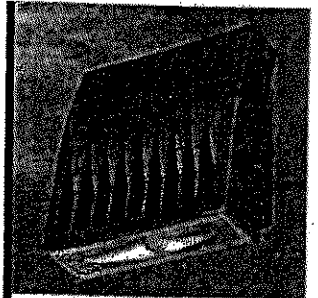
maintain greater than 70% of initial light output after 50,000 hours of operation. Three (3) half-inch NPT threaded conduit entry points allow for thru-branch wiring. Back box is an authorized electrical wiring compartment. Integral LED electronic driver incorporates surge protection. 10W, 120V 50/60 Hz., 20W and 30W, 120-277V 50/60Hz.

Finish

Crosstour is protected with a Super TGIC carbon bronze or summit white polyester powder coat paint. Super TGIC powder coat paint finishes withstand extreme climate conditions while providing optimal color and gloss retention of the installed life.

Warranty

Crosstour features a five-year limited warranty.



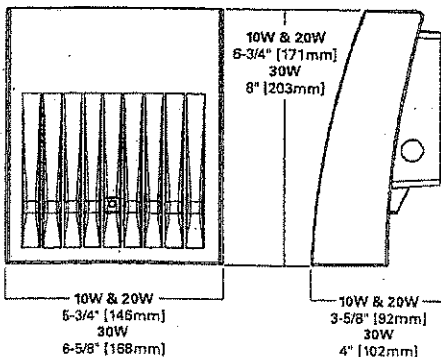
**XTOR
CROSSTOUR LED**

- WALL / SURFACE MOUNT
- POST / BOLLARD MOUNT
- LOW LEVEL MOUNT
- INVERTED MOUNT

Sustainable Design



DIMENSIONS



CERTIFICATION DATA

- UL/CUL Wet Location Listed
- IP66 Ingress Protection Rated
- ADA Compliant
- LM79 / LM80 Compliant
- ROHS Compliant
- ARRA Compliant
- DLC Qualified Models
- Lighting Facts® Approved
- Title 24 Compliant
- NOM Compliant Models

TECHNICAL DATA

- 40°C Maximum Ambient Temperature
- External Supply Wiring 90°C Minimum

EPA

- Effective Projected Area:
(Sq. Ft.)
XTOR1A/XTOR2A=0.34
XTOR3A = 0.45

SHIPPING DATA:

- Approximate Net Weight:
3.7 – 6.25 lbs. [1.7 – 2.4 kgs.]

ORDERING INFORMATION

SAMPLE NUMBER: XTOR2A-N-WT-PC1

| | | | | |
|--|--|---|---|--|
| XTOR3A | | | PC1 | |
| Series XTOR1A=Small Door, 10W ¹ XTOR2A=Small Door, 20W ² XTOR3A=Large Door, 30W ² | LED Kelvin Color ³ — = Bright White (Standard) 5000K N = Neutral Warm White, 3500K | Housing Color — = Carbon Bronze (Standard) WT = Summit White | Options (specify voltage) ⁴ PC1=Photocontrol 120 V PC2=Photocontrol 208-277 V | Accessories ⁵ WG/XTOR=Wireguard (fits both) |

Notes:

- 1 120V only XTOR1A not available in 3500K.
- 2 Design Lights Consortium™ qualified (down mount only).
Consult Design Lights Consortium website for all applications.
- 3 PC2 only available in 20W and 30W models.
- 4 PC1 and PC2 photo controls are factory installed. PC2 not available on XTOR1A models.
- 5 Order WG/XTOR wire guard separately.

STOCK ORDERING INFORMATION

| 10W Series | 20W Series | 30W Series |
|---|--|--|
| XTOR1A = 10W, 5000K, Carbon Bronze | XTOR2A = 20W, 5000K, Carbon Bronze | XTOR3A = 30W, 5000K, Carbon Bronze |
| XTOR1A-WT = 10W, 5000K, Summit White | XTOR2A-N = 20W, 3500K, Carbon Bronze | XTOR3A-N = 30W, 3500K, Carbon Bronze |
| XTOR1A-PC1 = 10W, 5000K, 120V PC, Carbon Bronze | XTOR2A-WT = 20W, Summit White | XTOR3A-WT = 30W, Summit White. |
| | XTOR2A-PC1 = 20W, 120V PC, Carbon Bronze | XTOR3A-PC1 = 30W, 120V PC, Carbon Bronze |



Days Quick-Ship

5-DAY QUICK SHIP ORDERING INFORMATION

| 10W Series | 20W Series | 30W Series |
|---|---|---|
| XTOR1A-WT-PC1 = 10W, 5000K, Summit White, 120V PC | XTOR2A-PC2 = 20W, 5000K, 208-277V PC, Carbon Bronze | XTOR3A-PC2 = 30W, 5000K, 208-277V PC, Carbon Bronze |
| | XTOR2A-WT-PC1 = 20W, 5000K, Summit White, 120V PC | XTOR3A-WT-PC1 = 30W, 5000K, Summit White, 120V PC |
| | XTOR2A-WT-PC2 = 20W, 5000K, Summit White, 208-277V PC | XTOR3A-WT-PC2 = 30W, 5000K, Summit White, 208-277V PC |
| | XTOR2A-N-WT = 20W, 3500K, Summit White | XTOR3A-N-WT = 30W, 3500K, Summit White |
| | XTOR2A-N-PC1 = 20W, 3500K, 120V PC, Carbon Bronze | XTOR3A-N-PC1 = 30W, 3500K, 120V PC, Carbon Bronze |
| | XTOR2A-N-PC2 = 20W, 3500K, 208-277V PC, Carbon Bronze | XTOR3A-N-PC2 = 30W, 3500K, 208-277V PC, Carbon Bronze |
| | XTOR2A-N-WT-PC1 = 20W, 3500K, Summit White, 120V PC | XTOR3A-N-WT-PC1 = 30W, 3500K, Summit White, 120V PC |
| | XTOR2A-N-WT-PC2 = 20W, 3500K, Summit White, 208-277V PC | XTOR3A-N-WT-PC2 = 30W, 3500K, Summit White, 208-277V PC |

LUMENS - CRI / CCT TABLE

| LED Information | XTOR1A | XTOR2A | XTOR2A-N | XTOR3A | XTOR3A-N |
|-----------------------------|--------|--------|----------|--------|----------|
| Delivered Lumens | 719 | 1361 | 947 | 2243 | 1600 |
| CCT (Kelvin) | 5000 | 5000 | 3500 | 5000 | 3500 |
| Color Rendering Index (CRI) | 66 | 67 | 86 | 69 | 84 |

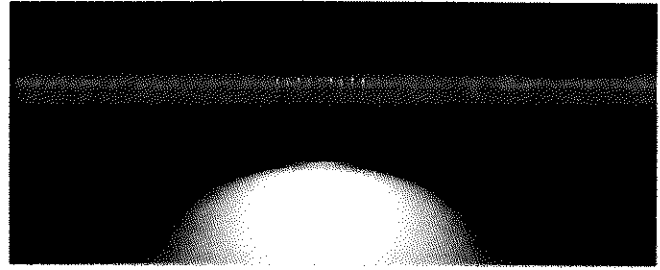
CURRENT DRAW

| | XTOR1A | XTOR2A | XTOR3A |
|------|--------|--------|--------|
| 120V | .13A | 0.2A | 0.3A |
| 208V | -- | 0.1A | 0.15A |
| 240V | -- | 0.15A | 0.15A |
| 277V | -- | 0.15A | 0.15A |

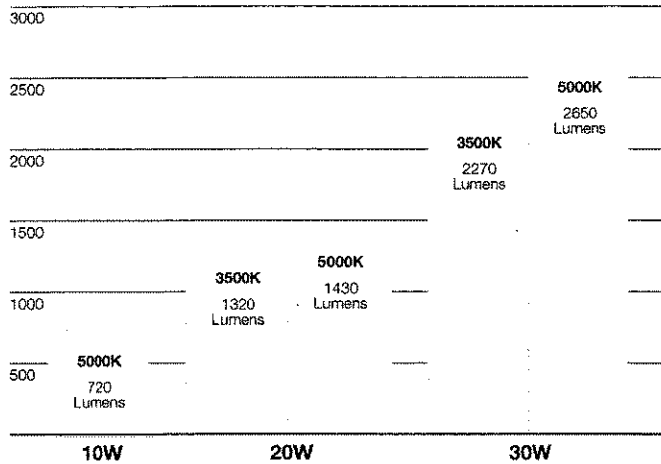
Scalable Illumination

Dark Sky Compliant Illumination

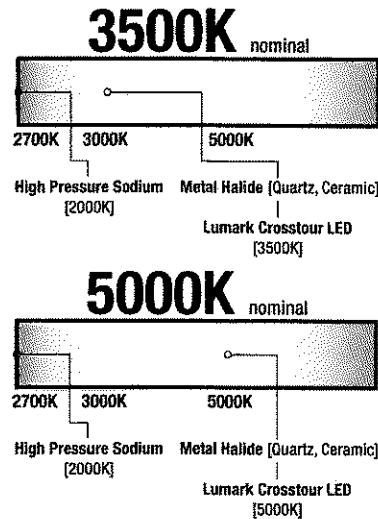
Patent pending, highly polished, mirrored optical reflector is optimized to project the light in a forward throw direction. When installed in a downlight orientation, the full cutoff door provides focused illumination with zero uplight and minimal high angle illumination while retaining superior uniformity.



Delivered Lumens

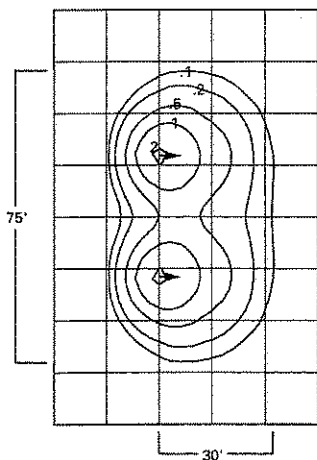


NOTE: Delivered lumens are estimated. See IES photometric files.



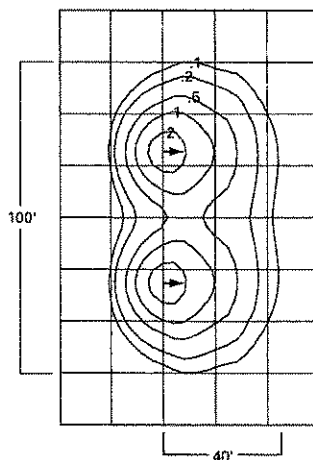
Optical Excellence

Crosstour LED Wall Pack luminaires deliver up to 2650 lumens. Brilliant white 5000K or warm 3500K CCT color temperature LEDs provide uniform white light similar to traditional metal halide light sources. Excellent color rendering with superior thermal management and optimized reflector technology make the Crosstour LED Wall Pack Series a superior performer.



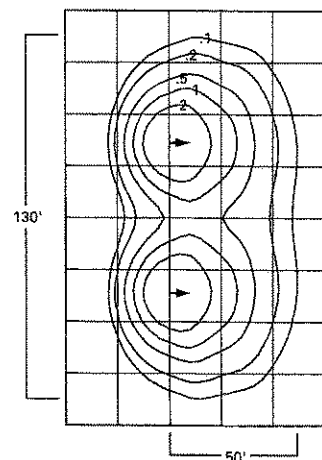
10W Model Typical Application

- 720 lumens
- 75' illumination distribution pattern
- 30' forward throw; 8' - 12' mounting height
- 71% street side illumination
- B.U.G. rating: B0-U0-G0
- Replaces up to 70W metal halide



20W Model Typical Application

- 1430 lumens
- 100' illumination distribution pattern
- 40' forward throw; 8' - 25' mounting height
- 71% street side illumination
- B.U.G. rating: B1-U0-G0
- Replaces up to 150W metal halide



30W Model Typical Application

- 2650 lumens
- 130' illumination distribution pattern
- 50' forward throw; 8' - 25' mounting height
- 70% street side illumination
- B.U.G. rating: B1-U0-G0
- Replaces up to 175W metal halide