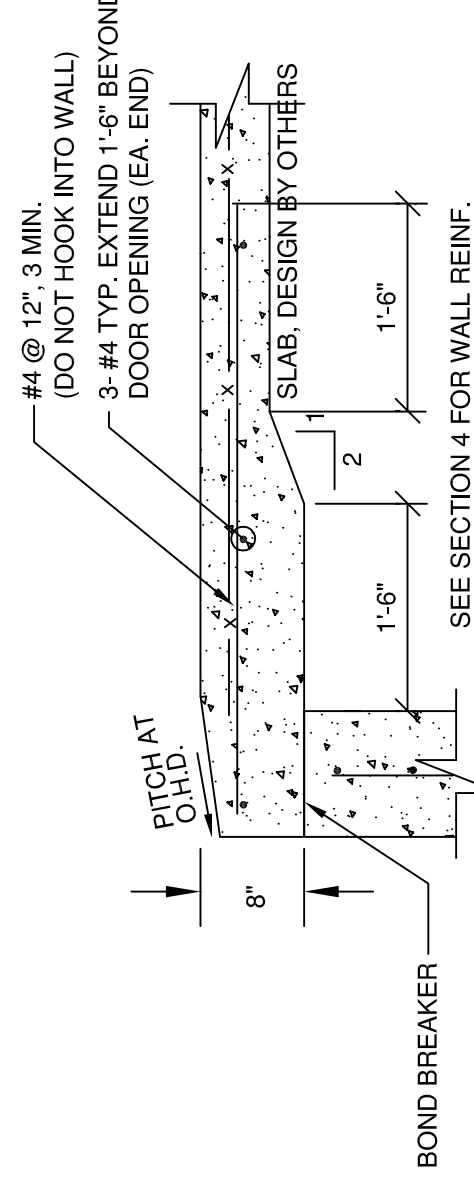


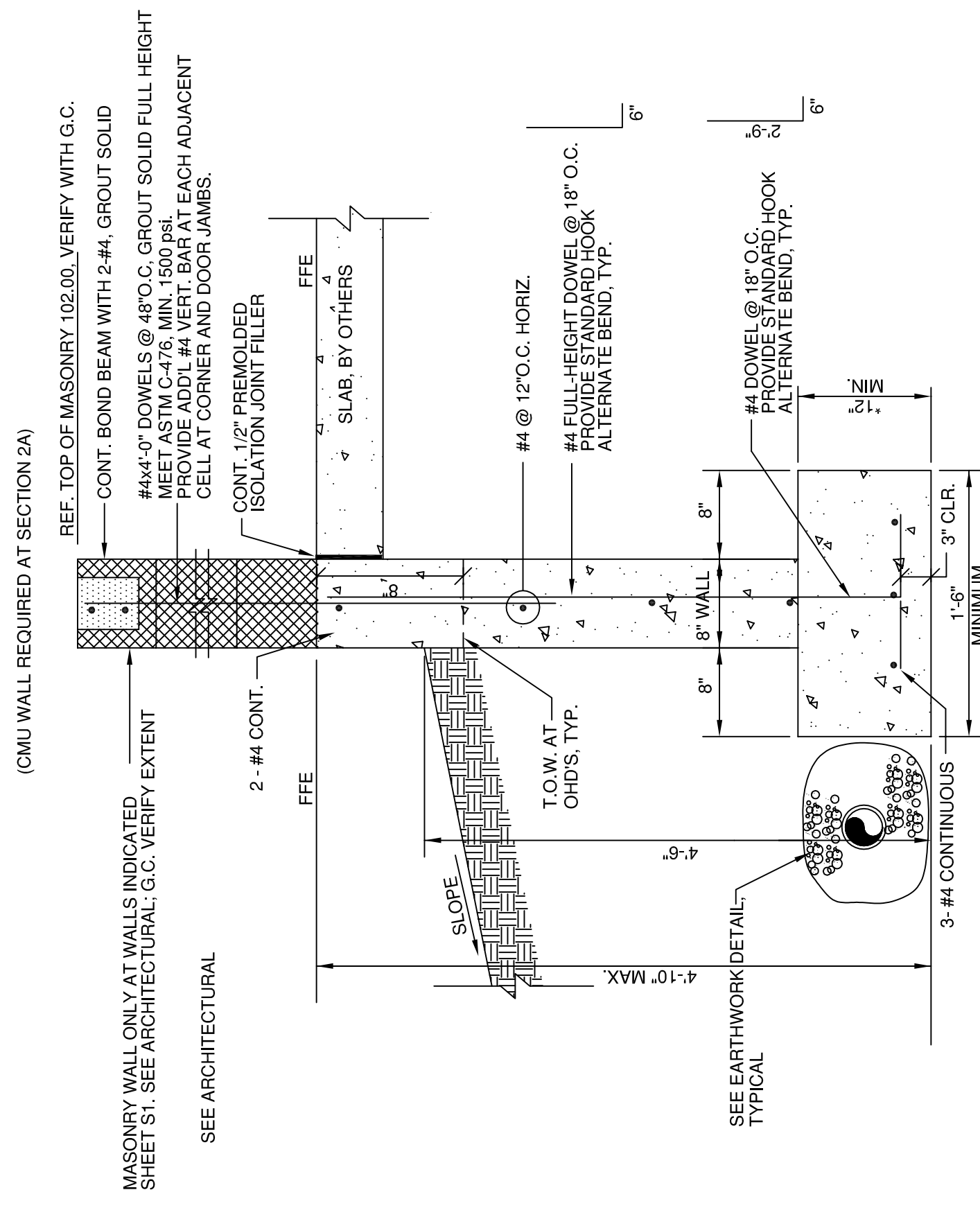
(DO NOT LOCATE MORE THAN 40'-0\"/>

**FOUNDATION WALL CONTROL JOINT DETAIL**  
N.T.S.



**TYPICAL SLAB DETAIL @ O.H.D. OPENING**  
N.T.S.

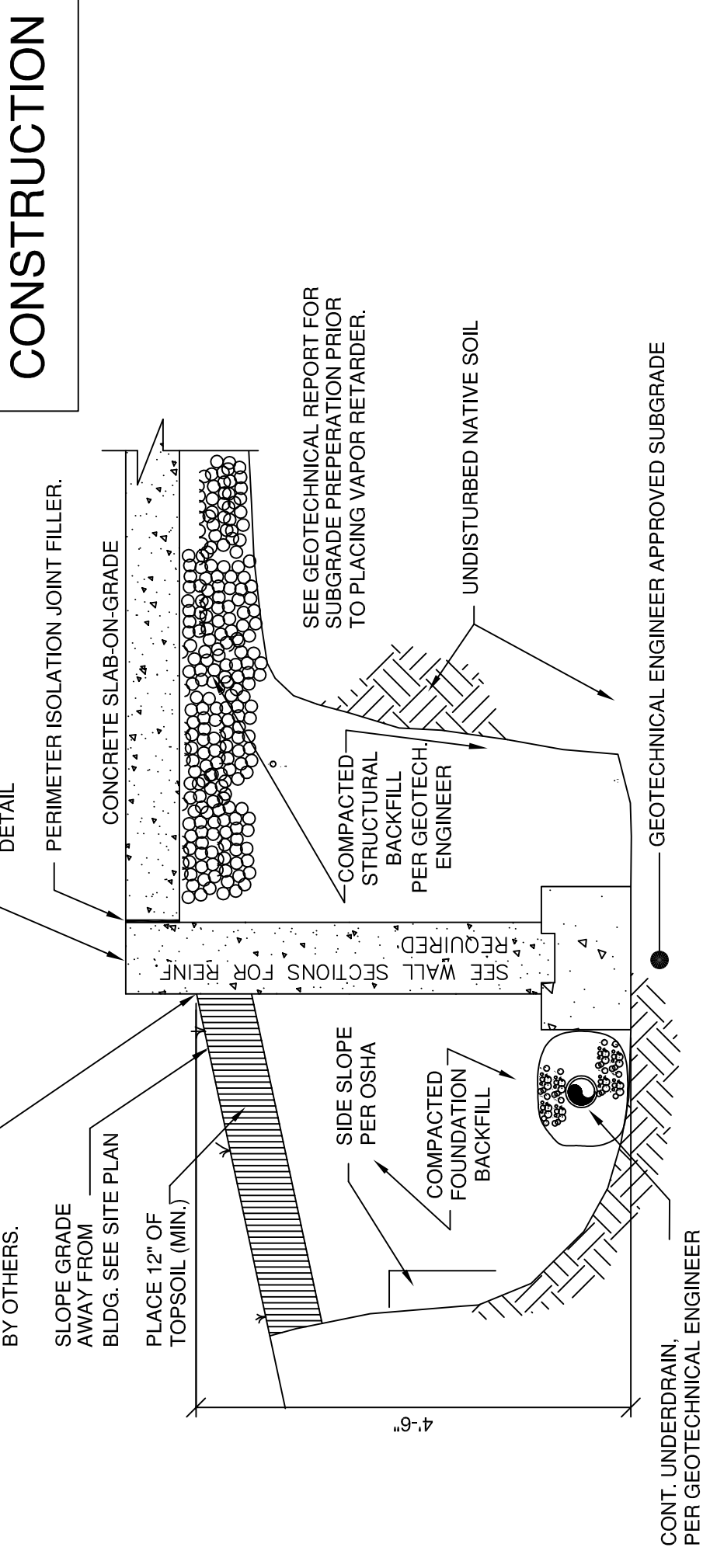
SECTION **1**  
S1



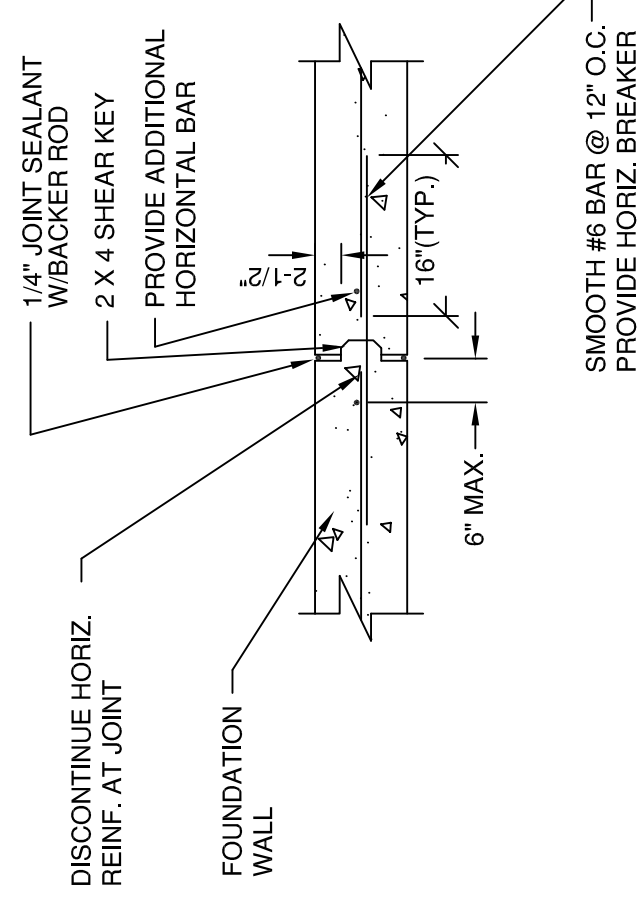
(\*STEP FOOTING AT F6.5 FOOTINGS MAY BE OMITTED IF TYP. WALL FOOTING IS PLACED 13\"/>

**\*TYPICAL FROST WALL DETAIL**  
N.T.S.

SECTION **2**  
S1 S2

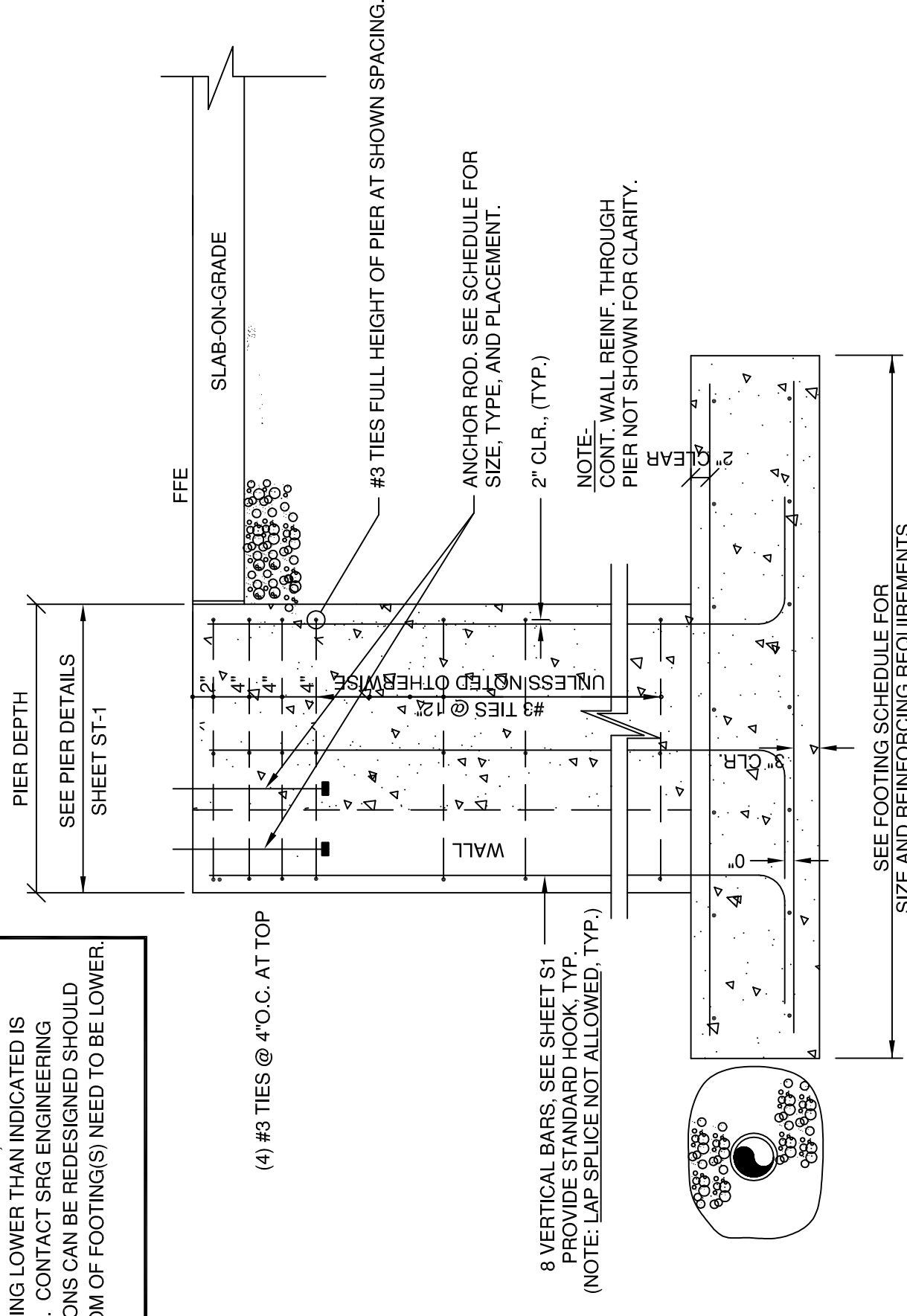


**TYPICAL EARTHWORK DETAIL**  
N.T.S.



**FOUNDATION WALL CONSTRUCTION JOINT DETAIL**  
N.T.S.

**CONTRACTOR NOTE:**  
ALL COLUMN PIERS ARE DESIGNED FOR HORIZONTAL THRUST BY COLUMN. AS A RESULT, ELEVATION BOTTOM OF FOOTING LOWER THAN INDICATED IS NOT ACCEPTABLE. CONTACT SRG ENGINEERING SO ALL FOUNDATIONS CAN BE REDESIGNED SHOULD ELEVATION BOTTOM OF FOOTING(S) NEED TO BE LOWER.



(WWF NOT SHOWN FOR CLARITY)  
**TYPICAL WALL PIER**  
N.T.S.

SECTION **4**  
S1

FOUNDATION DETAILS AND SECTIONS

OF  
PACK EDGE  
FORLAND, MAINE  
FOR  
PATCO CONSTRUCTION CO., INC.  
SANFORD, MAINE

PROJECT NO.	06-062	SRG
EOR	SRG	SRG
DESIGN	SRG	SRG
CHKD	SRG	SRG
DRAWN	SRG	SRG

SRG ENGINEERING, INC.  
CONSULTING STRUCTURAL ENGINEERS

P.O. BOX 225  
GRAY, ME 04039  
TEL: (207) 652-7323  
FAX: (207) 652-7323  
EMAIL: SRG@SRGSENG.COM

REV:	BY:	DATE:	STATUS:

THIS PLAN SHALL NOT BE MODIFIED WITHOUT WRITTEN PERMISSION FROM SRG ENGINEERING, INC. ANY ALTERATIONS AUTHORIZED OR OTHERWISE, SHALL BE AT THE USER'S SOLE RISK AND WITHOUT LIABILITY TO SRG ENGINEERING, INC.

DATE 06-01-06  
SCALE N.T.S.  
SHEET S2 OF 2

ISSUED FOR CONSTRUCTION