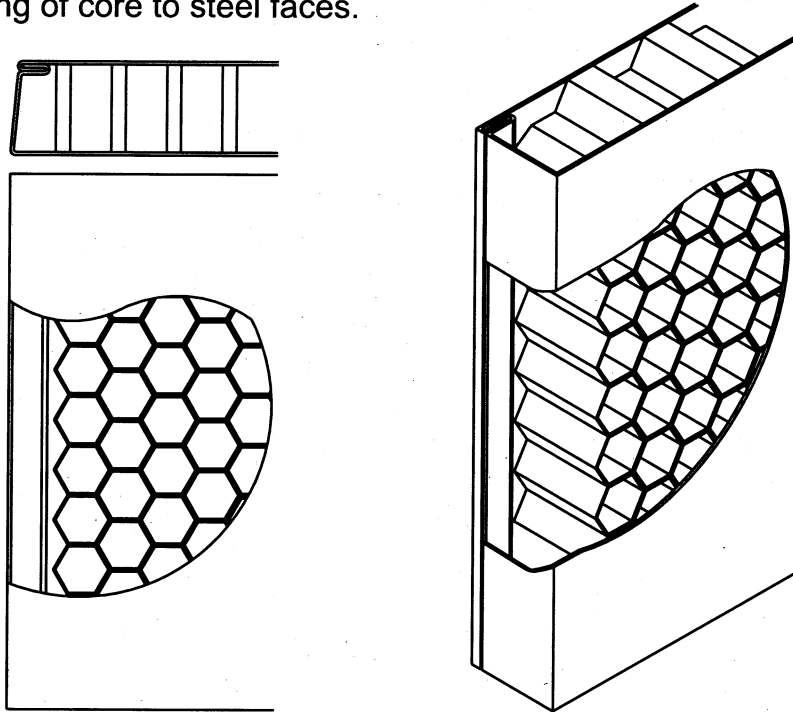


Honeycomb core

Compression ratio: 1857 pounds per sq./ft, 1"(25.4mm) cell with phenoloc resin.
 Continuous bonding of core to steel faces.

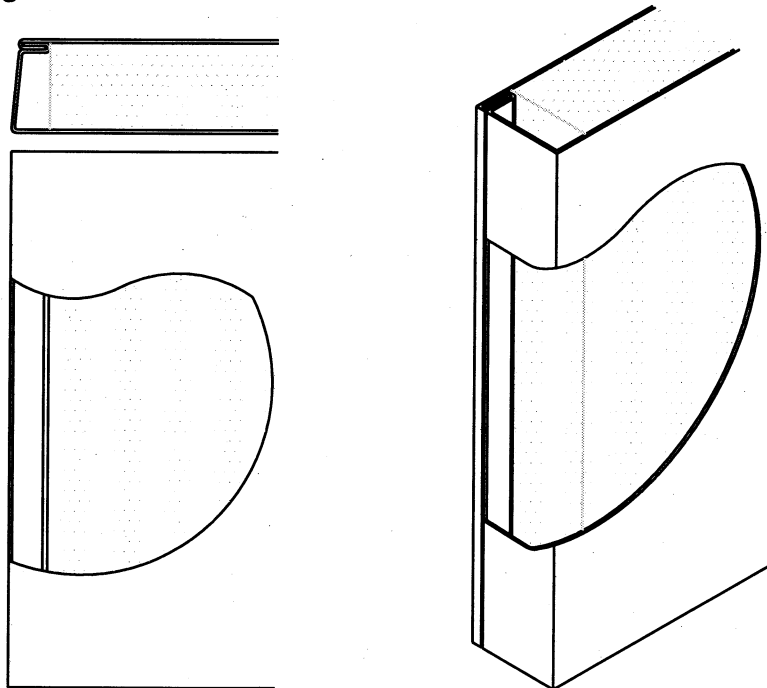


Inoperable panel STC38, with appropriate sound gasketings operational door calculated STC of 33.
 Added stiffener, full height, in middle of door when over 3'0" wide.

Option A0

Polystyrene core

"R" factor: 7.03(hr °F-sq/ft)/BTU....."U" factor: 0.14 BTU/(hr °F-sq/ft)
 Continuous bonding of core to steel faces.



Added stiffener, full height, in middle of door when over 3'0" wide.

Option A1