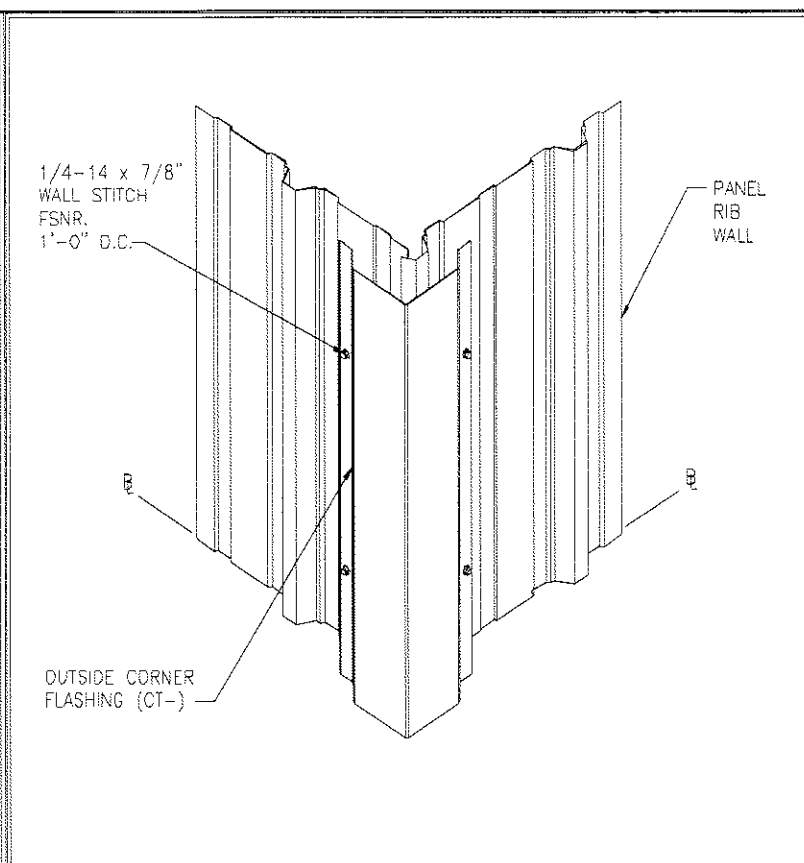
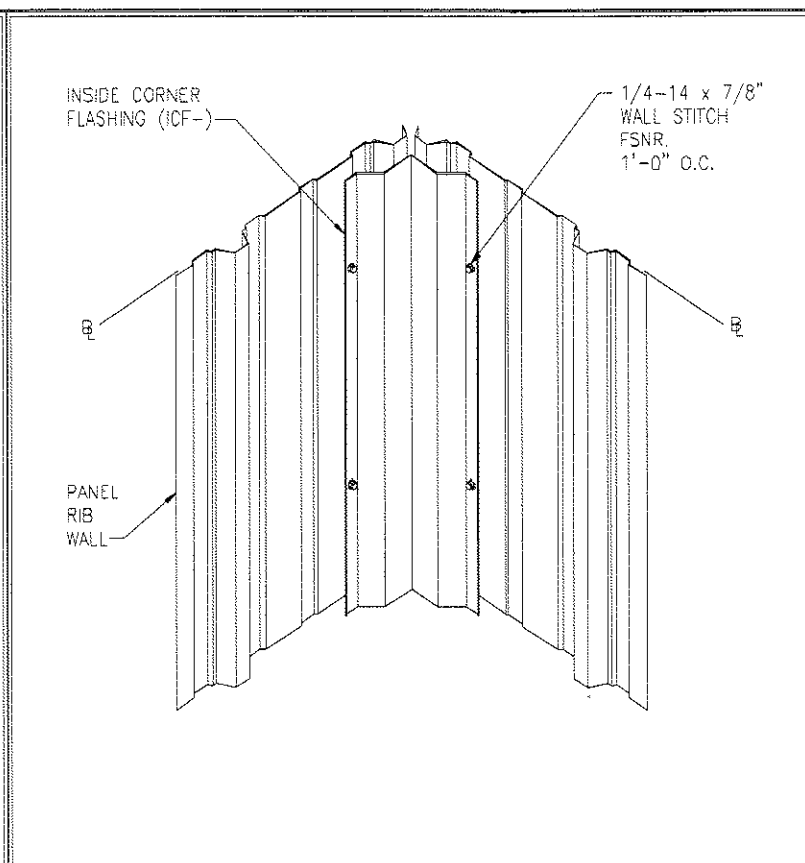


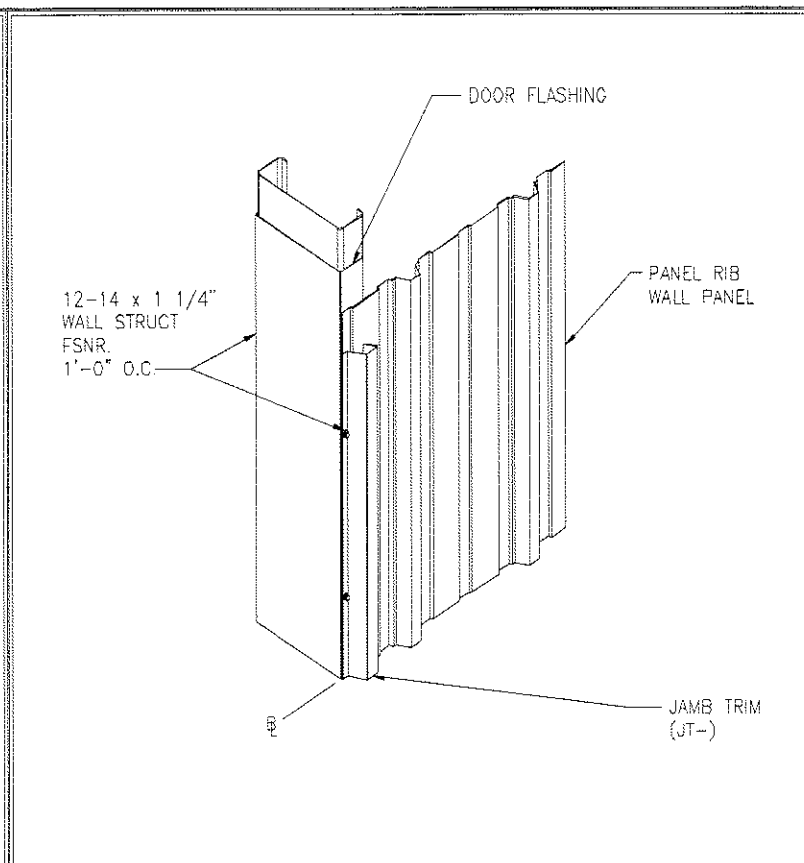
REV. DATE: 07/01/09 | REV. NO. 00
WC11F1 | PR, VR & RPR WALL AT EAVE
STANDARD EAVE PURLIN



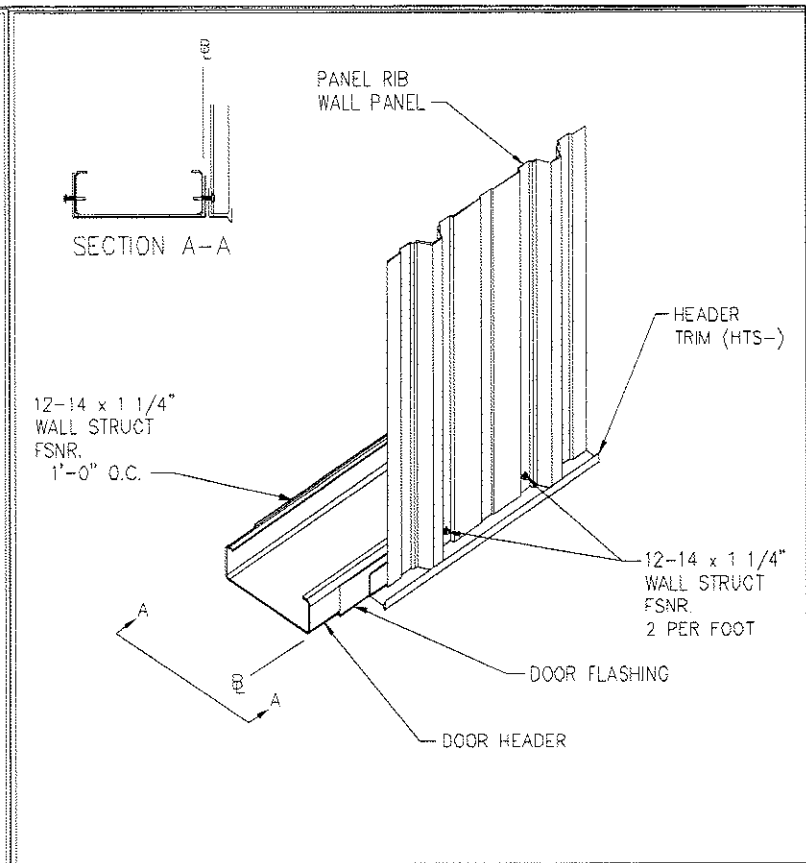
REV. DATE: 07/01/09 | REV. NO. 00
WC20A1 | OUTSIDE CORNER TRIM
PANEL RIB WALL



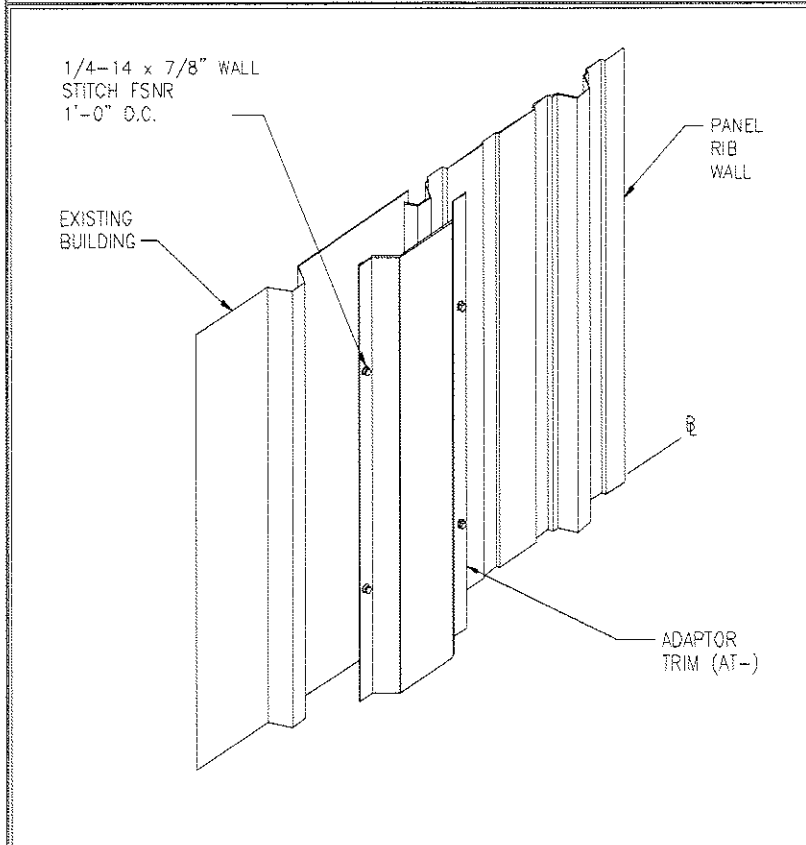
REV. DATE: 07/01/09 | REV. NO. 00
WC21A1 | INSIDE CORNER FLASHING
PANEL RIB WALL



REV. DATE: 07/01/09 | REV. NO. 00
WC24A1 | JAMB TRIM AT OVERHEAD DOOR
PANEL RIB WALL



REV. DATE: 02/19/12 | REV. NO. 01
WC24A2 | WALL TRIM AT DOOR HEAD
OVERHEAD DOOR OPENING



REV. DATE: 07/01/09 | REV. NO. 00
WC81A6 | ADAPTOR TRIM TO EXISTING BLDG
PANEL RIB WALL

THE VP ENGINEER'S SEAL APPLIES ONLY TO THE WORK PRODUCT OF VP AND DESIGN AND PERFORMANCE REQUIREMENTS SPECIFIED BY VP. THE VP ENGINEER'S SEAL DOES NOT APPLY TO THE PERFORMANCE OR DESIGN OF ANY OTHER PRODUCT OR COMPONENT FURNISHED BY VP EXCEPT TO ANY DESIGN OR PERFORMANCE REQUIREMENTS SPECIFIED BY VP.

THIS DRAWING, INCLUDING THE INFORMATION HEREON, REMAINS THE PROPERTY OF VP BUILDINGS. IT IS PROVIDED SOLELY FOR ERECTING THE BUILDING DESCRIBED IN THE APPLICABLE PURCHASE ORDER AND SHALL NOT BE MODIFIED, REPRODUCED OR USED FOR ANY OTHER PURPOSE WITHOUT PRIOR WRITTEN APPROVAL OF VP BUILDINGS.

THE GENERAL CONTRACTOR AND/OR ERECTOR IS SOLELY RESPONSIBLE FOR ACCURATE GOOD QUALITY WORKMANSHIP IN ERECTING THIS BUILDING IN ACCORDANCE WITH THIS DRAWING, DETAILS REFERENCED IN THIS DRAWING, ALL APPLICABLE VP BUILDINGS ERECTION GUIDES, AND INDUSTRY STANDARDS PERTAINING TO PROPER ERECTION, INCLUDING THE CORRECT USE OF TEMPORARY BRACING.

VP Buildings			
3200 Players Club Circle Memphis TN 38125			
REV	DATE	BY	DESCRIPTION
NTS			

COVERING & TRIM SED'S	
BUILDER	Patco
CUSTOMER	
LOCATION	Portland, Maine
PROJECT	Pack Edge
BUILDERS PC#	
JOB #	12-4084
DATE	3/14/2013
DRAWN/CHECK	COOP DC
PAGE	24

