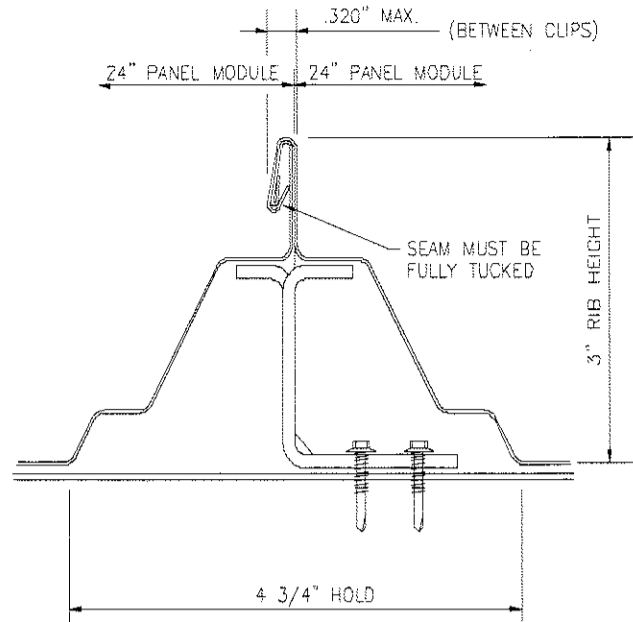


IT IS THE RESPONSIBILITY OF THE ERECTOR TO INSURE PROPER SEAM TIGHTNESS. FAILURE TO PROPERLY SEAM THE JOINT MAY RESULT IN PREMATURE FAILURE OF PANELS AND/OR SECONDARY MEMBERS UNDER UPLIFT OR DOWNWARD LOADING CONDITIONS.



F = FEET G = GAGE  
I = INCHES O = OPERATION  
E = EIGHTHS C = FIN/COLOR

PANEL/COVERING  
W 1 3 1 1 7 2 6 1 K 1 D  
\* F F I I E G G O C C C  
LENGTH CODE

INSULATION  
I B 1 3 0 1 0 3 6 0 3 0 W V  
\* \* F F F I I I I I I E C C  
LENGTH WIDTH THK CODE

SECONDARY (STANDARD)  
O B Z 1 9 1 1 4 1 7 - - - -  
\* \* F F I I E G G \* \* \* \* \*  
DEPTH LENGTH GAGE ADJUST CODES  
SHAPE

SECONDARY (SPECIAL)  
O D 1 0 8 Z 1 9 1 1 4 1 7 - - -  
\* \* \* \* \* F F I I E G G \* \* \* \* \*  
COUNTER DEPTH & LENGTH GAGE ADJUST CODES  
SHAPE

ROD BRACING  
O 3 R S 2 5 1 0  
I E \* \* F F I I  
DIA LENGTH

RS = THREADS BOTH ENDS  
RT = THREADS ONE END - CLEVIS ONE END  
RU = CLEVIS BOTH ENDS  
RP = THREAD BOTH ENDS - NO HILLSIDES

CX\*\*\* = COLUMN (PLATE)  
CGX\*\*\* = COLUMN (GAGE)  
WCX\*\*\* = COLUMN (HOTROLL)

RBX\*\*\* = RAFTER (PLATE)  
BGX\*\*\* = RAFTER (GAGE)  
WRX\*\*\* = RAFTER (HOTROLL)  
TRX\*\*\* = TRUSS RAFTER

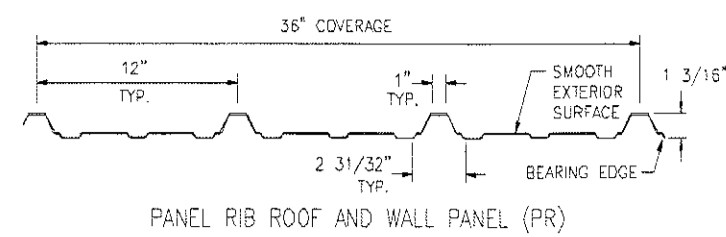
ICX\*\*\* = INTERIOR COLUMN  
PCX\*\*\* = PIPE COLUMN  
TCX\*\*\* = TUBE COLUMN

EPX\*\*\* = ENDPOST (PLATE)  
EGX\*\*\* = ENDPOST (GAGE)

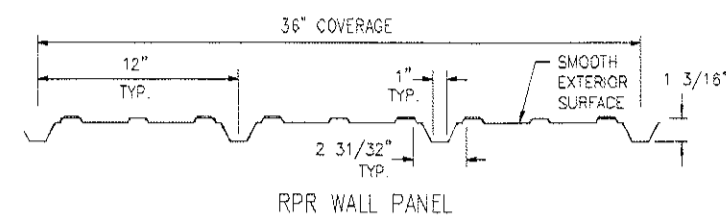
CBX\*\*\* = CANOPY (PLATE)  
CBX\*\*\* = PIGGYBACK CANOPY  
DCC\*\*\* = 8 1/2" GAGE POST  
DOE\*\*\* = 10" GAGE POST

PR WALL PANEL MARK NO.: W F F I I E G G O C C C  
LENGTH CODE  
PR ROOF PANEL MARK NO.: R F F I I E G G O C C C  
LENGTH CODE  
PR RIDGE PANEL MARK NO.: P F F I I E G G O C C C  
LENGTH CODE

F = FEET  
I = INCHES  
E = EIGHTHS  
G = GAGE  
O = OPERATION  
C = FIN/COLOR

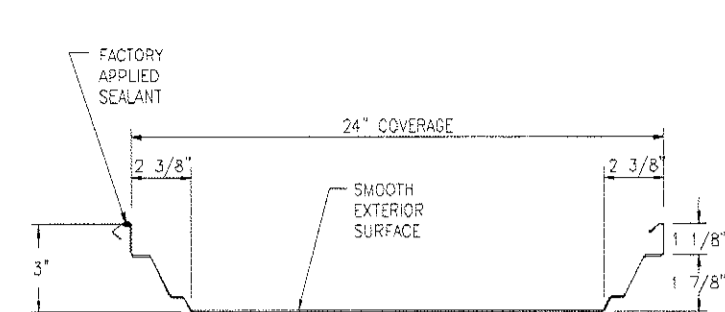


RPR WALL PANEL MARK NO.: R R F F I I E G G O C C C  
LENGTH CODE



F = FEET G = GAGE  
I = INCHES O = OPERATION  
E = EIGHTHS C = FIN/COLOR

SSR ROOF PANEL MARK NO.: S F F I I E G G O C C C  
LENGTH CODE



1. STANDARD ERECTION DETAILS (SED) SUPERSEDE SIMILAR DETAILS FOUND IN THE ERECTION GUIDES. REFER TO THE ERECTION GUIDES FOR OTHER DETAILS, INSTALLATION PROCEDURES AND ACCESSORIES NOT DESCRIBED IN THE SED'S.
2. ALL PANEL AND TRIM SURFACES MUST BE FREE OF DIRT AND OIL AT MASTIC AND SEALANT LOCATIONS.

REV. DATE: 07/01/08 REV. NO. 02  
EN01B2

SSR SEAMING GUIDELINES  
RIB AND SEAM PROFILE

REV. DATE: 06/29/12 REV. NO. 01  
EN50B1

MARK NUMBER KEY  
COMMON GENERATED MARK NUMBERS

REV. DATE: 07/01/08 REV. NO. 03  
EN52A1

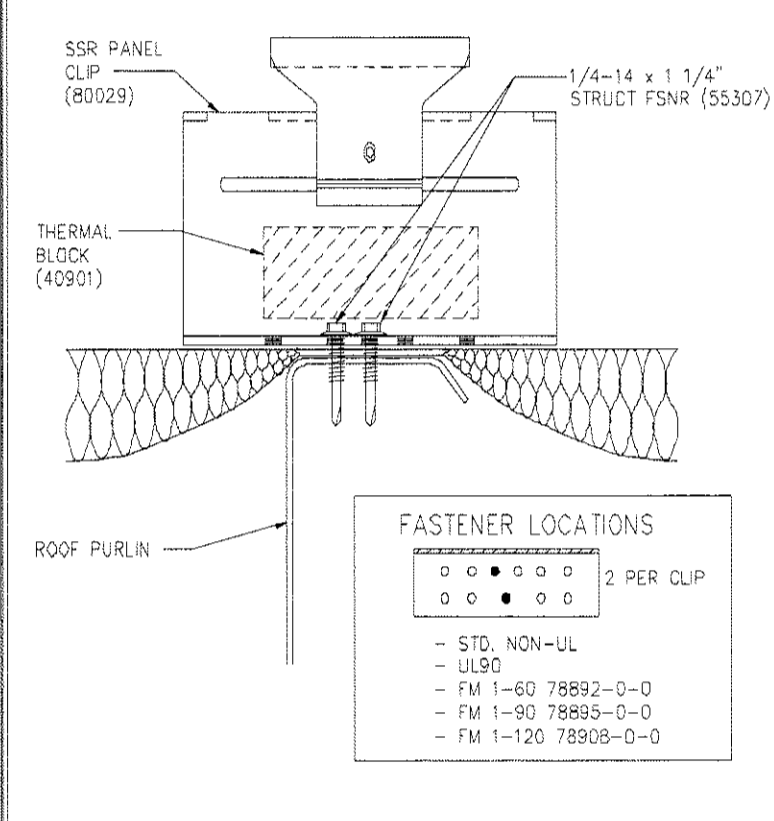
PR ROOF & PR/RPR WALL PANELS

REV. DATE: 07/01/08 REV. NO. 03  
EN52D1

STANDING SEAM ROOF PANELS (SSR)

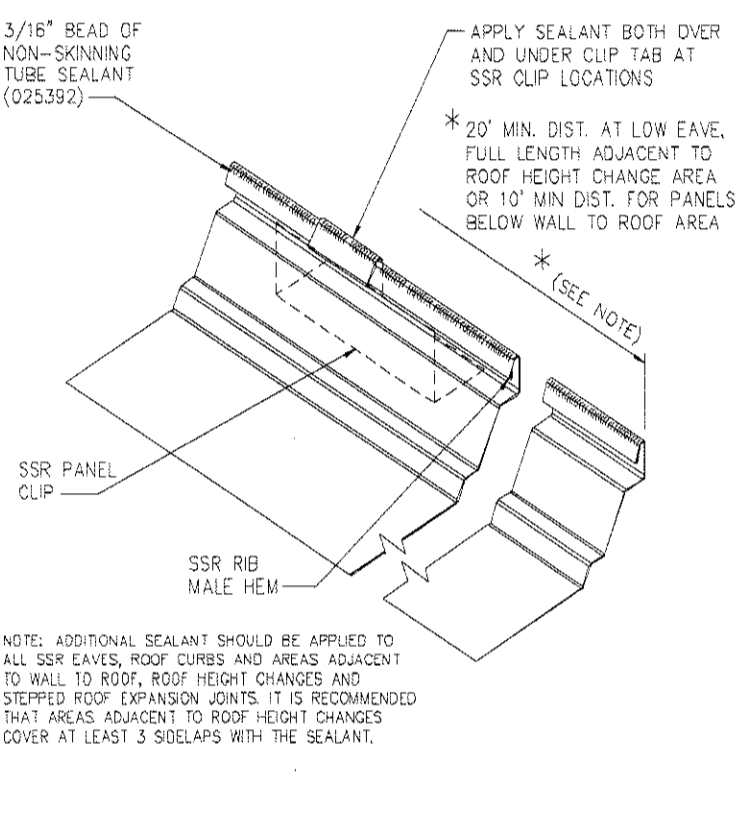
REV. DATE: 07/01/08 REV. NO. 03  
RC00A1

NOTES



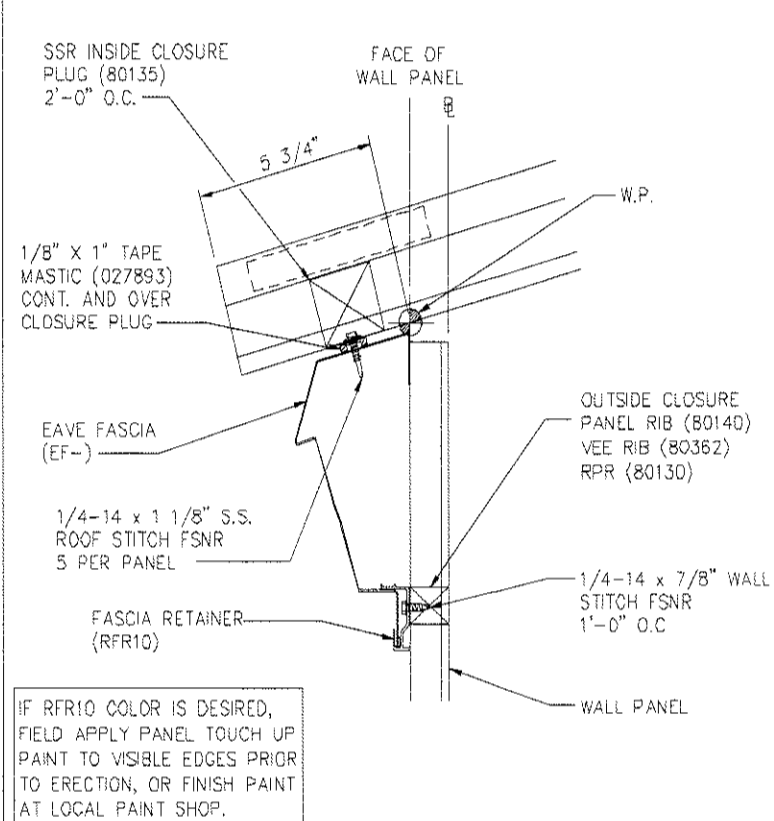
REV. DATE: 05/01/12 REV. NO. 01  
RC01A2

SSR PANEL CLIP ATTACHMENT  
THERMAL BLOCK INSULATION ON PURLINS



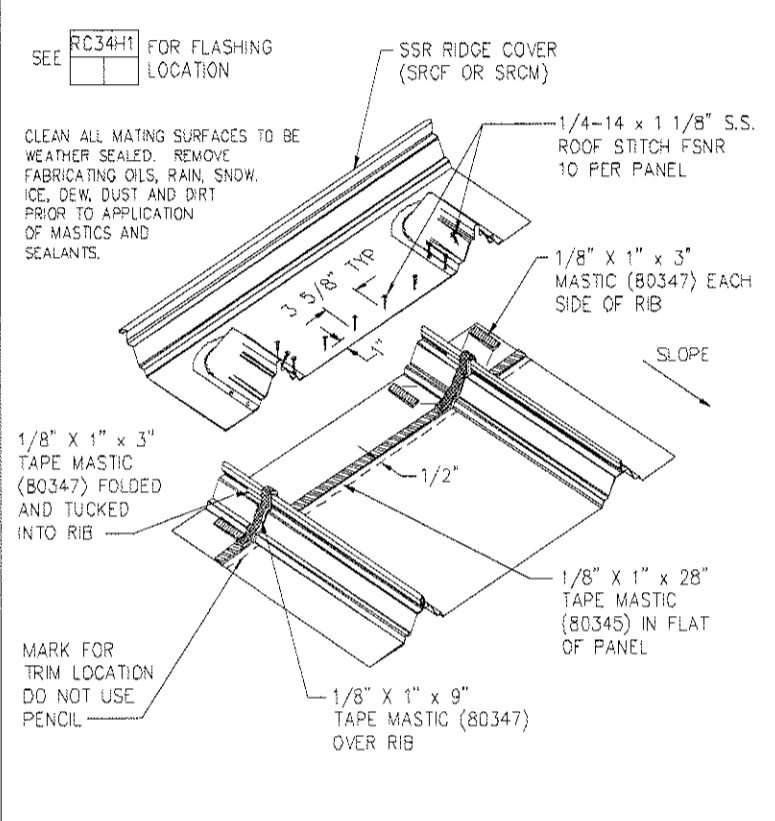
REV. DATE: 10/22/12 REV. NO. 01  
RC03A2

SSR PANEL SIDELAP  
ADDITIONAL WEATHERSEAL AT ICE DAMMING COND.



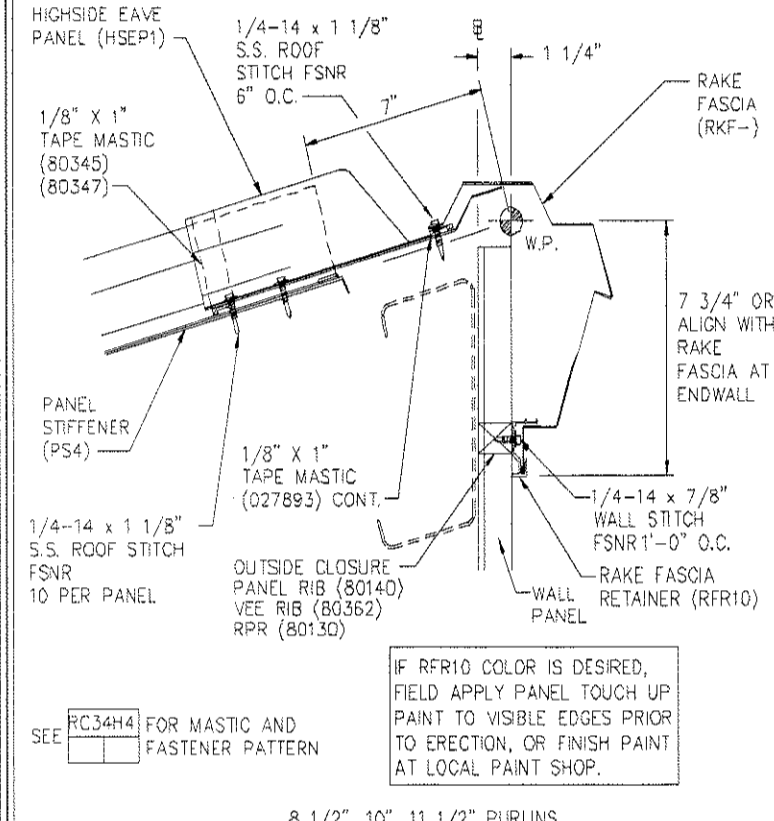
REV. DATE: 10/22/12 REV. NO. 02  
RC31A1

SSR ROOF W/ EAVE FASCIA  
PR, VR OR RPR WALL



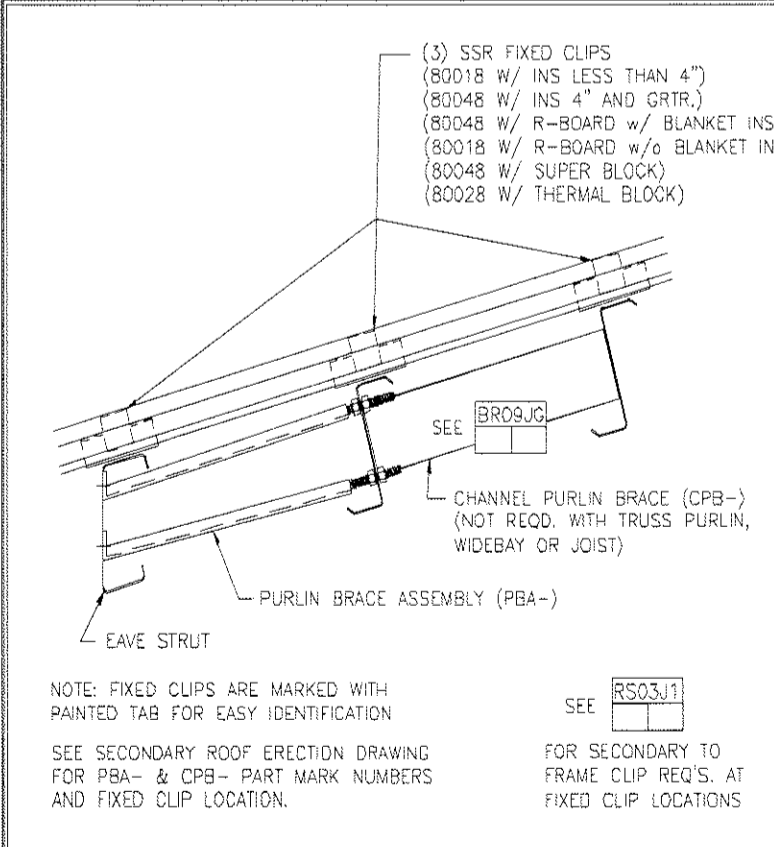
REV. DATE: 10/22/12 REV. NO. 02  
RC34H4

SSR RIDGE FLASHING  
FASTENER AND MASTIC PATTERN



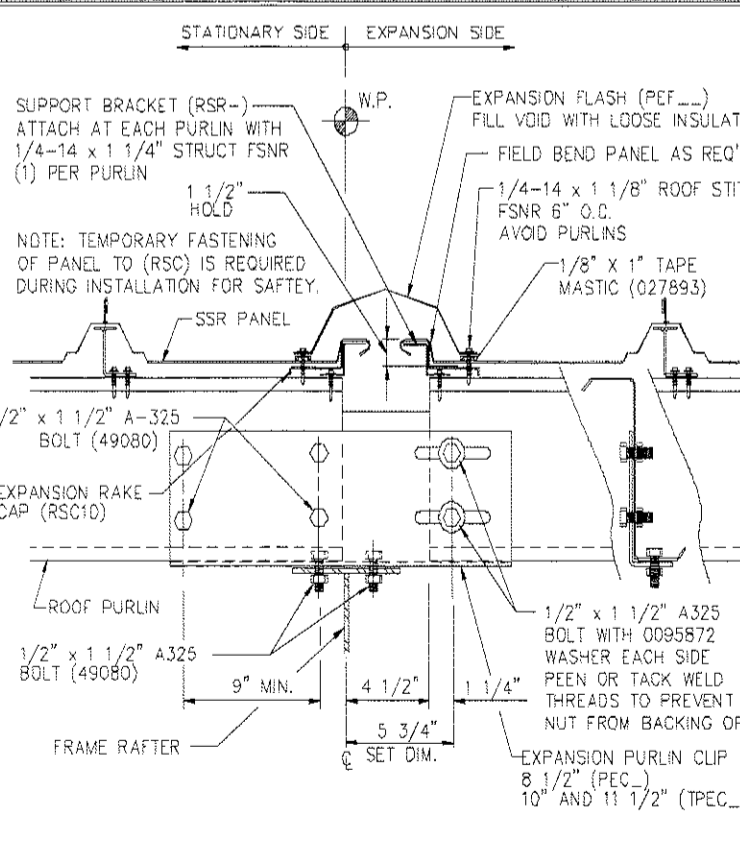
REV. DATE: 10/22/12 REV. NO. 02  
RC35N1

SSR HIGH EAVE FASCIA  
PR, VR OR RPR WALL



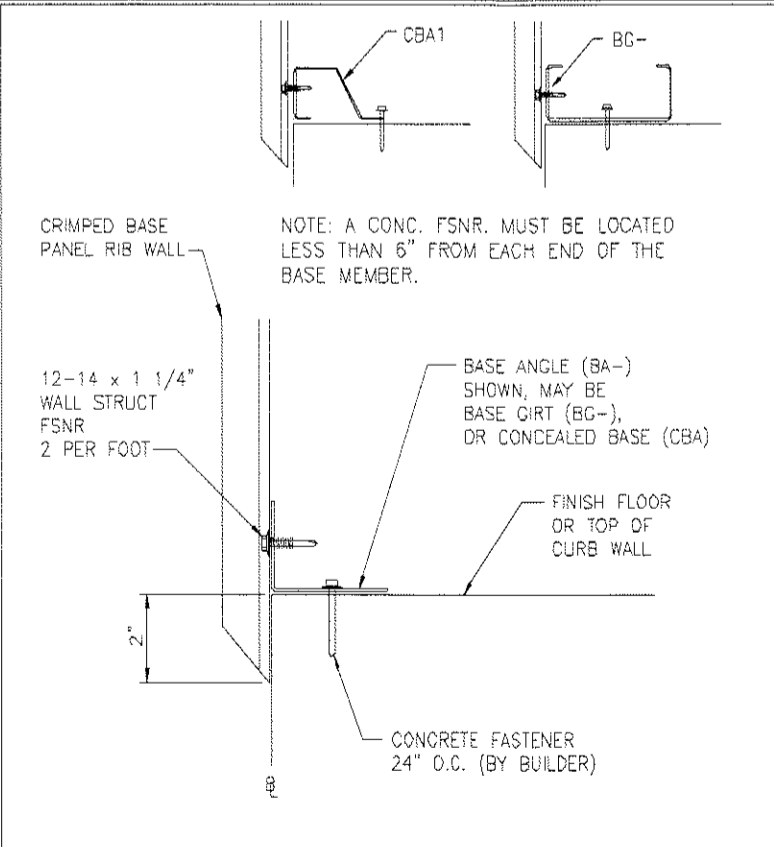
REV. DATE: 07/01/08 REV. NO. 00  
RC62C1

SSR FIXED CLIP  
BLANKET, S-BLOCK, T-BLOCK & R-BOARD



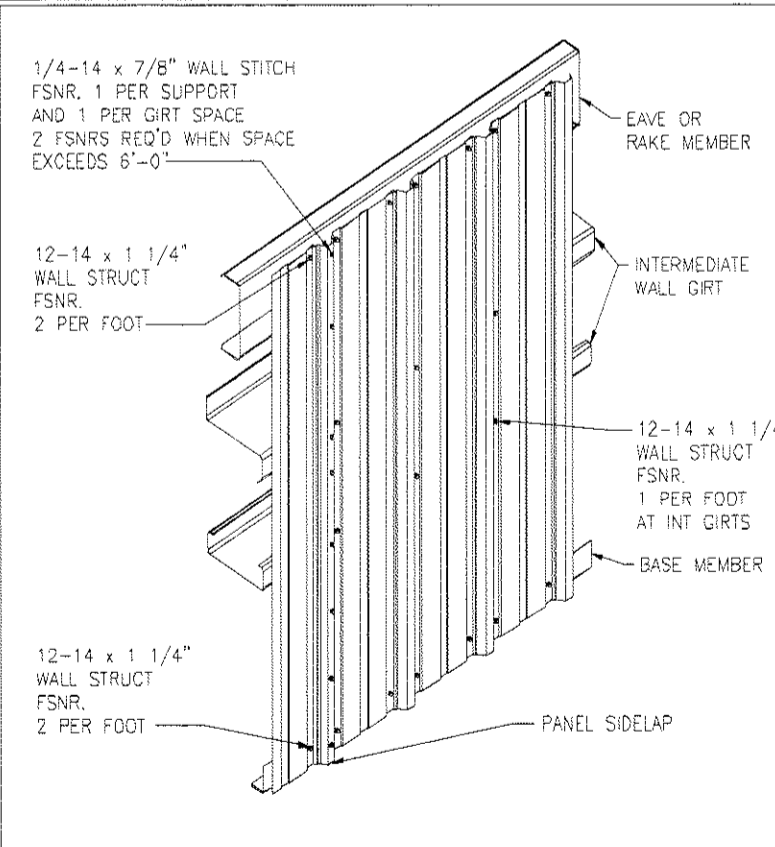
REV. DATE: 10/22/12 REV. NO. 03  
RC63C8

SSR EXPANSION JOINT  
PARALLEL WITH ROOF SLOPE



REV. DATE: 07/01/08 REV. NO. 00  
WCD1D9

BASE OF WALL ATTACHMENT  
CRIMPED BASE PANEL RIB WALL



REV. DATE: 07/01/08 REV. NO. 00  
WC04G1

PANEL RIB WALL  
FASTENER PATTERNS

THE VP ENGINEER'S SEAL APPLIES ONLY TO THE WORK PRODUCT OF VP AND DESIGN AND PERFORMANCE REQUIREMENTS SPECIFIED BY VP. THE VP ENGINEER'S SEAL DOES NOT APPLY TO THE PERFORMANCE OR DESIGN OF ANY OTHER PRODUCT OR COMPONENT FURNISHED BY VP EXCEPT TO ANY DESIGN OR PERFORMANCE REQUIREMENTS SPECIFIED BY VP.

THIS DRAWING, INCLUDING THE INFORMATION HEREON, REMAINS THE PROPERTY OF VP BUILDINGS. IT IS PROVIDED SOLELY FOR ERECTING THE BUILDING DESCRIBED IN THE APPLICABLE PURCHASE ORDER AND SHALL NOT BE MODIFIED, REPRODUCED OR USED FOR ANY OTHER PURPOSE WITHOUT PRIOR WRITTEN APPROVAL OF VP BUILDINGS.

THE GENERAL CONTRACTOR AND/OR ERECTOR IS SOLELY RESPONSIBLE FOR ACCURATE GOOD QUALITY WORKMANSHIP IN ERECTING THIS BUILDING IN ACCORDANCE WITH THIS DRAWING, DETAILS REFERENCED IN THIS DRAWING, ALL APPLICABLE VP BUILDINGS ERECTION GUIDES, AND INDUSTRY STANDARDS PERTAINING TO PROPER ERECTION, INCLUDING THE CORRECT USE OF TEMPORARY BRACING.

VP Buildings			
3200 Players Club Circle Memphis TN 38125			
REV	DATE	BY	DESCRIPTION
NTS			

COVERING & TRIM SED'S	
BUILDER	Patco
CUSTOMER	
LOCATION	Portland, Maine
PROJECT	Pack Edge
BUILDERS POF	
JOB #	12-4084
DATE	3/14/2013
DRAWN/CHECK	COOP DC
PAGE	23

