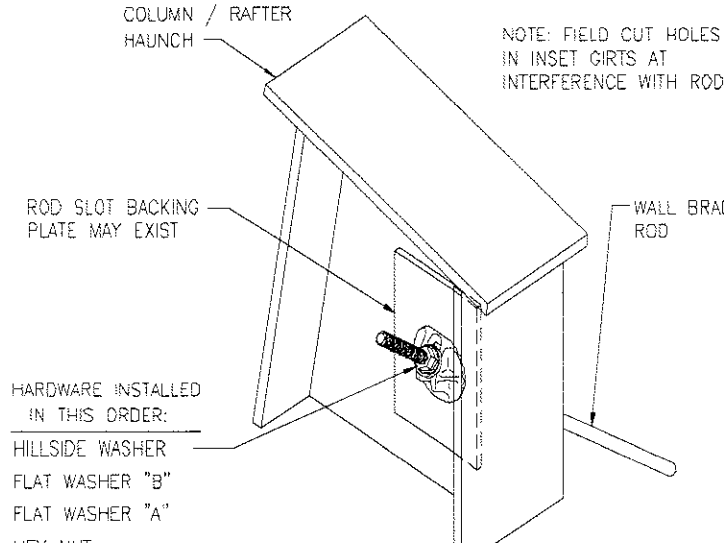
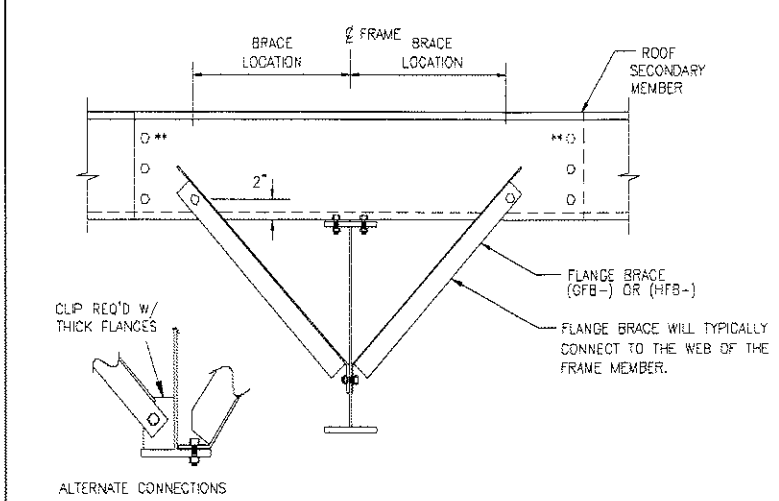


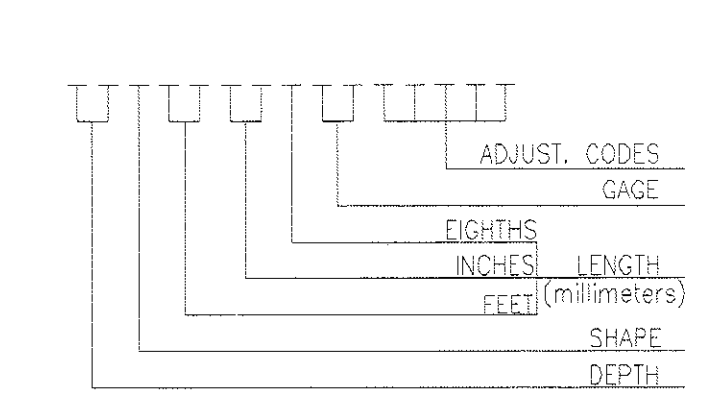
ROD DIA.	NUT	WASHERS		
		A	B	HILLSIDE
3/8"	095321	096408	46040	043657
1/2"	095230	095872	095946	043657
5/8"	095233	095945	095946	043657
3/4"	095235	095946	095948	043658
7/8"	095237	095947	095948	043658
1"	095238	095948	095949	043659
1 1/8"	095239	095949	095949	043659



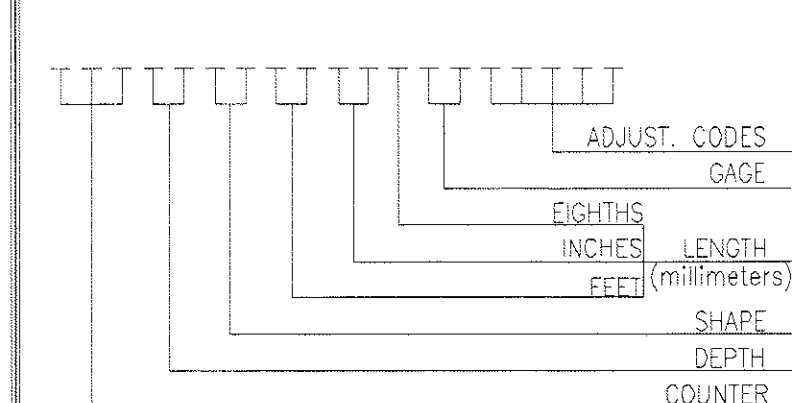
ROD DIA.	NUT	WASHERS		
		A	B	HILLSIDE
3/8"	095321	095408	46040	043657
1/2"	095230	095872	095946	043657
5/8"	095233	095945	095946	043657
3/4"	095235	095946	095948	043658
7/8"	095237	095947	095948	043658
1"	095238	095948	095949	043659
1 1/8"	095239	095949	095949	043659



FLANGE BRACE REQUIREMENTS:
RULE#1- ALL FLANGE BRACES ON CROSS SECTIONS MUST BE INSTALLED.
RULE#2- SINGLE FLANGE BRACES ARE REQUIRED WHEN PART MARK ON CROSS SECTION IS NOT ACCOMPANIED BY (2).
RULE#3- FLANGE BRACES ARE REQUIRED BOTH SIDES OF THE FRAME WEB WHEN PART MARK IS ACCOMPANIED BY (2).
RULE#4- WHENEVER POSSIBLE, PLACE SINGLE BRACES TOWARD THE CENTER OF THE BUILDING.
RULE#5- WHENEVER POSSIBLE, PLACE ALL SINGLE BRACES ON THE SAME SIDE OF THE FRAME WEB.
 ** 10" & 11 1/2" PURLINS REQUIRE 3 BOLTS AT EACH END OF PURLIN LAP.



DEPTH	SHAPE	GAGE
07 = 7"	Z = ZEE	11 = 0.113
08 = 8 1/2"	C = CEE	12 = 0.098
10 = 10"	E = LOW EAVE STRUT	13 = 0.088
11 = 11 1/2"	H = HIGH EAVE STRUT	14 = 0.079
		15 = 0.073
		16 = 0.068
		17 = 0.060



DEPTH	SHAPE	GAGE
07 = 7"	ZS = ZEE	11 = 0.113
08 = 8 1/2"	CS = CEE	12 = 0.098
10 = 10"	ES = LOW EAVE STRUT	13 = 0.088
11 = 11 1/2"	HS = HIGH EAVE STRUT	14 = 0.079
	BB = BACK TO BACK CEE	15 = 0.073
	FB = FACE TO BACK CEE	16 = 0.068
	FF = FACE TO FACE CEE	17 = 0.060

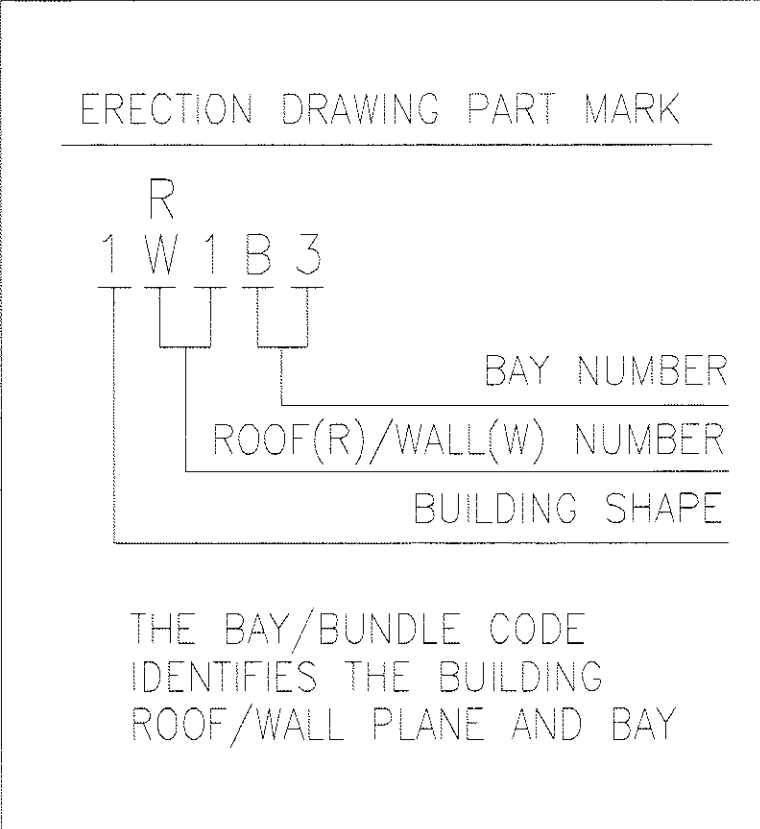
REV. DATE: 06/19/10 REV. NO. 01
 BR02H1 ROD BRACING THRU ROD SLOT COLUMN SHOWN / RAFTER SIMILAR

REV. DATE: 06/19/10 REV. NO. 02
 BR02J1 ROD BRACING THRU ROD SLOT SIDEWALL COLUMN SHOWN / RAFTER SIMILAR

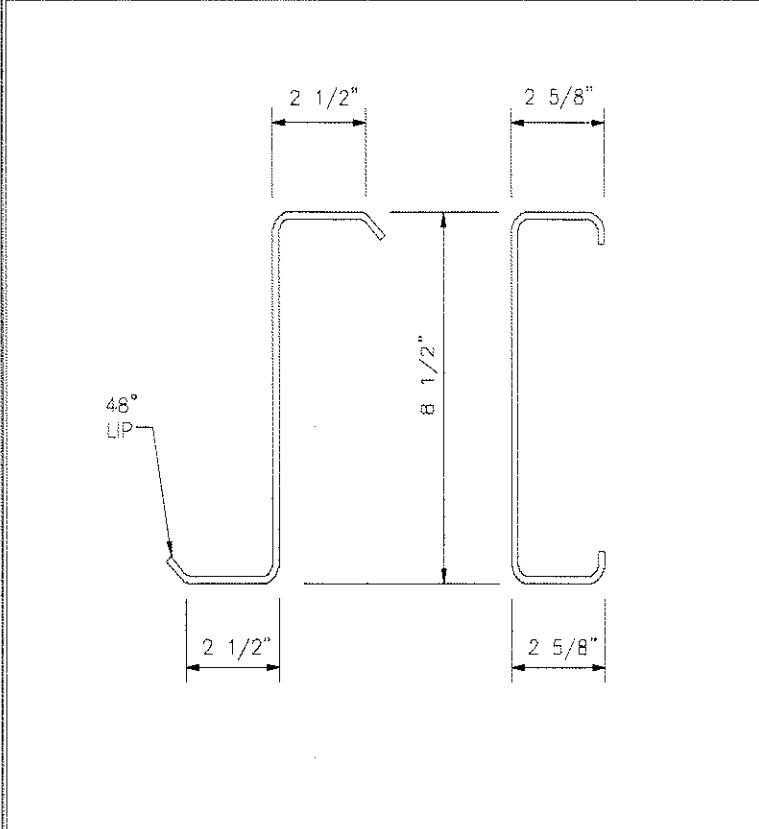
REV. DATE: 07/01/09 REV. NO. 00
 BR06AE TYPICAL FLANGE BRACE CONNECTIONS CONT. PURLIN LAP SHOWN, CONT. GIRT & SIMPLE PURLIN

REV. DATE: 07/01/09 REV. NO. 00
 EN51B1 SECONDARY PART MARK NUMBER COMMON GENERATED MARK NUMBERS

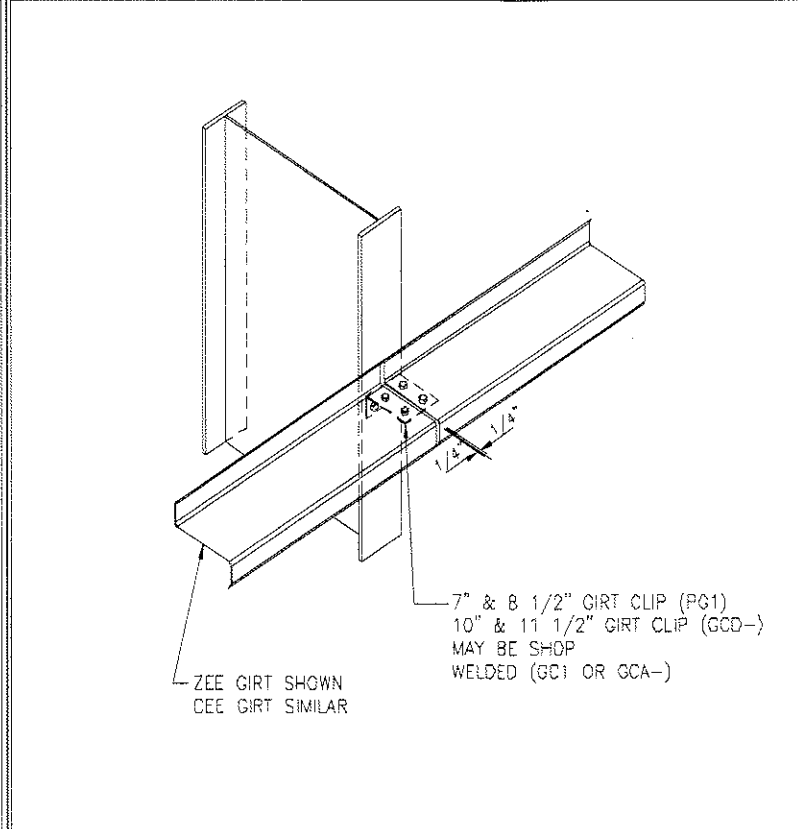
REV. DATE: 07/01/09 REV. NO. 00
 EN51B2 SPECIAL SECONDARY PART MARK KEY COMMON GENERATED MARK NUMBERS



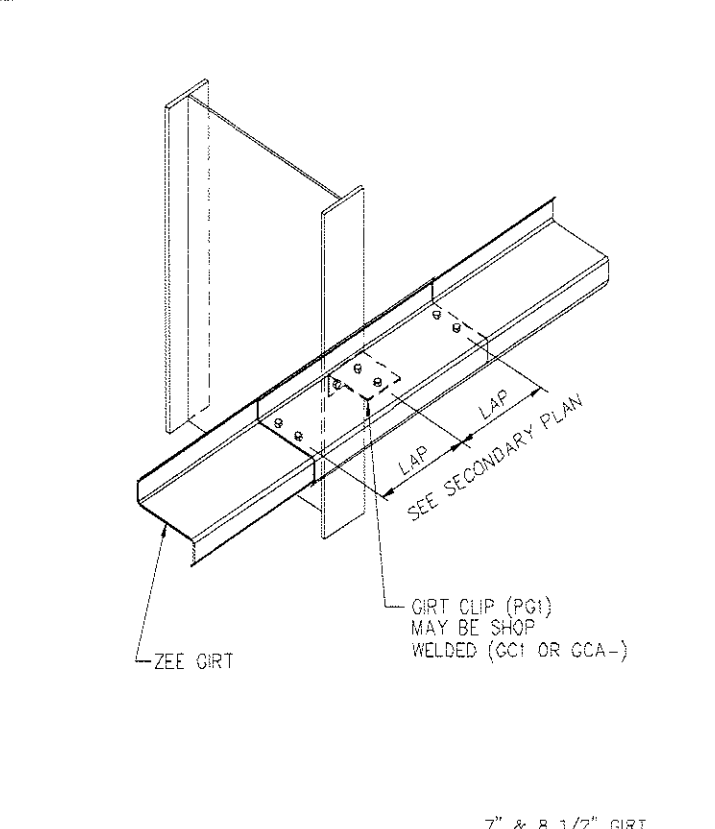
REV. DATE: 07/01/09 REV. NO. 00
 EN51B3 SECONDARY BUNDLE LOCATION KEY ALL SECONDARY DEPTHS



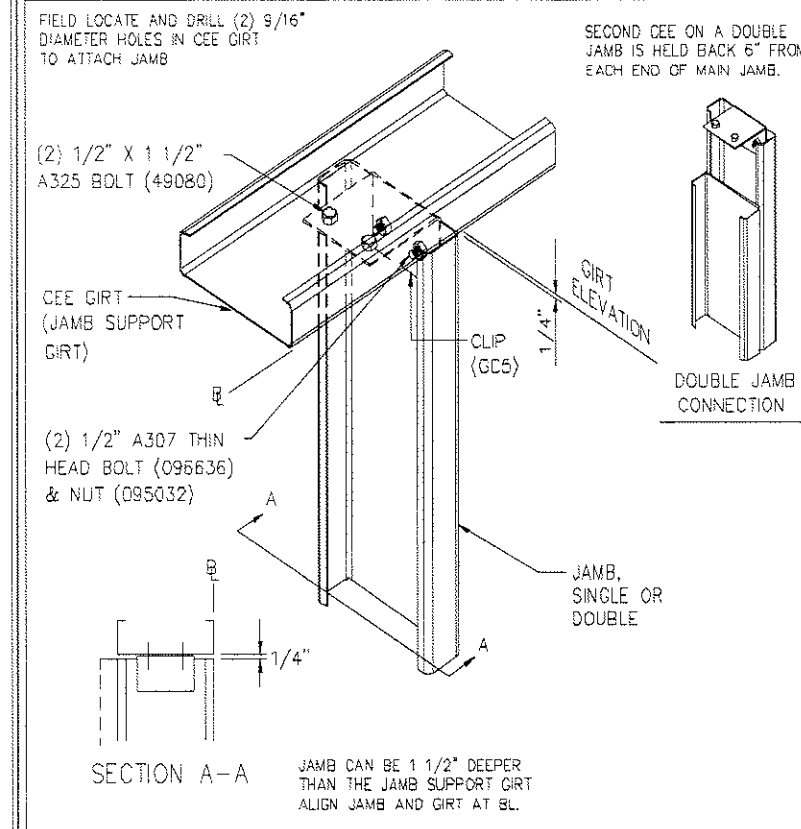
REV. DATE: 07/01/09 REV. NO. 00
 EN53F1 PURLIN AND GIRT SIZES 8 1/2" 216mm



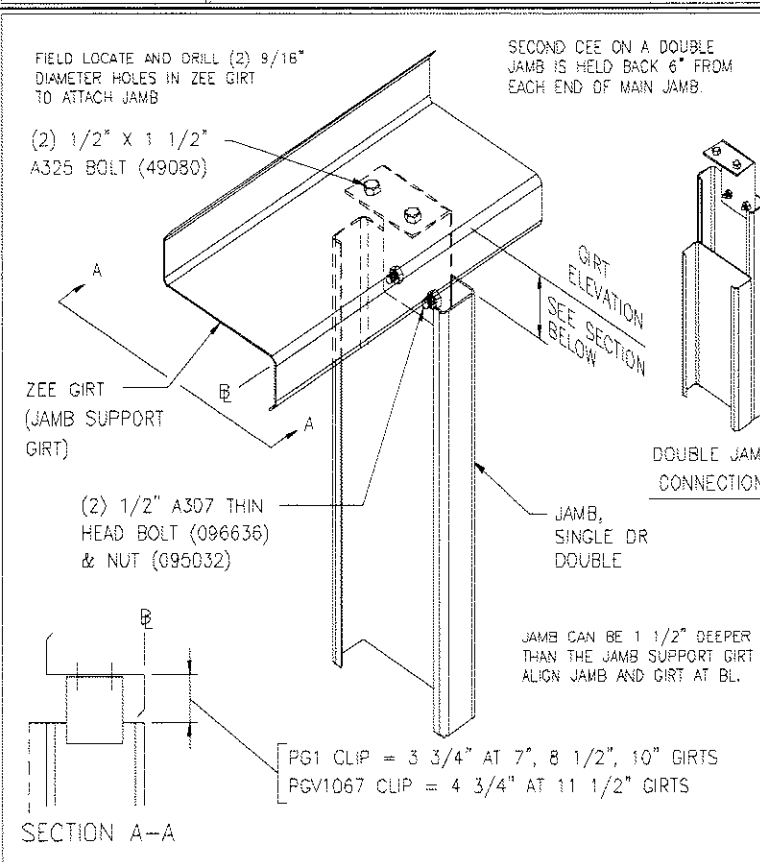
REV. DATE: 01/25/11 REV. NO. 01
 WS01G2 GIRT CONN. AT COLUMN OUTSET SIMPLE GIRTS



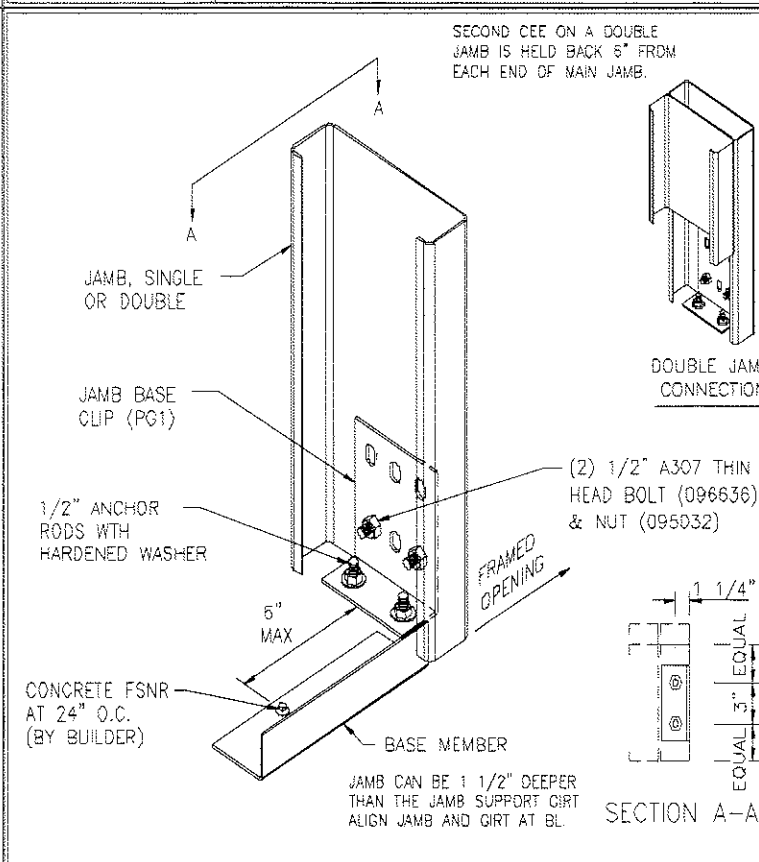
REV. DATE: 01/25/11 REV. NO. 01
 WS01G3 GIRT CONN. AT COLUMN OUTSET CONTINUOUS GIRT



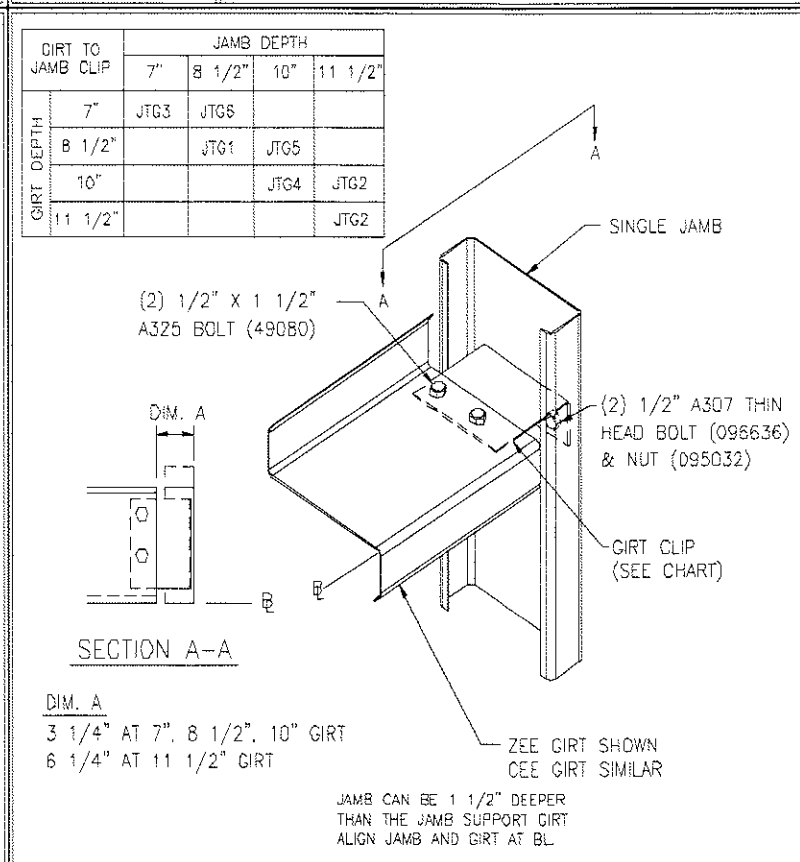
REV. DATE: 06/09/11 REV. NO. 02
 WS20B1 JAMB TO GIRT ANY JAMB, ANY CEE GIRT



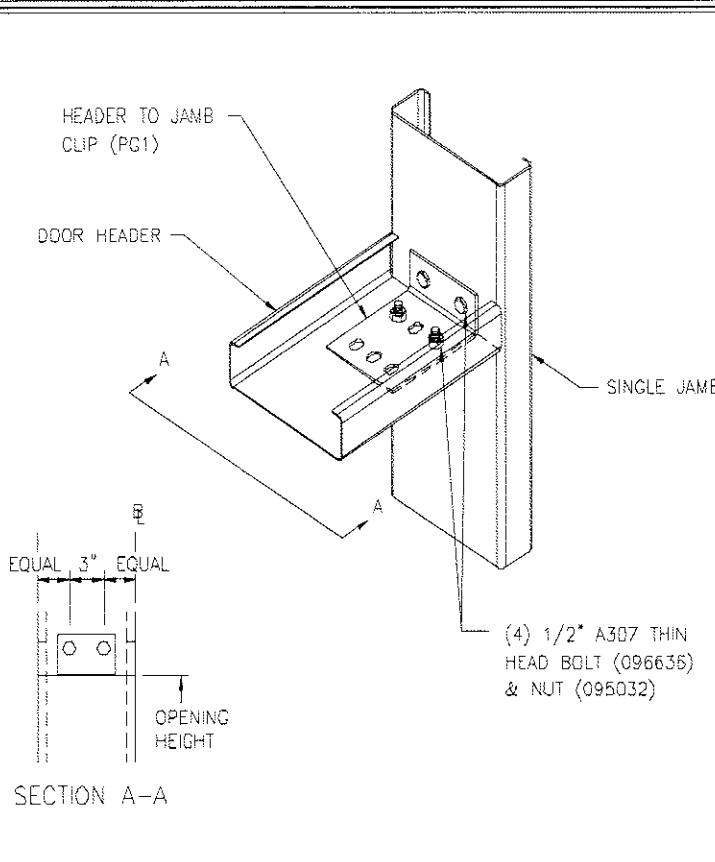
REV. DATE: 07/01/09 REV. NO. 00
 WS20B2 JAMB TO GIRT SINGLE OR DOUBLE JAMB, ANY ZEE GIRT



REV. DATE: 07/01/09 REV. NO. 00
 WS20B8 JAMB BASE ATTACHMENT SINGLE OR DOUBLE JAMB



REV. DATE: 06/29/10 REV. NO. 01
 WS20F2 GIRT TO JAMB SINGLE JAMB



REV. DATE: 07/01/09 REV. NO. 00
 WS20F9 HEADER TO JAMB ANY HEADER, ANY SINGLE JAMB

1. UNLESS NOTED, USE 1/2 X 1 1/2 A-325 SNUG TIGHTENED BOLTS FOR ALL SECONDARY CONNECTIONS.
 2. FLANGE BRACES ARE AN INTEGRAL PART OF THE STABILITY OF THE STRUCTURAL SYSTEM AND MUST BE PROPERLY INSTALLED PRIOR TO ERECTION OF WALL AND ROOF SHEETS.
 3. REMOVAL OR ALTERATION OF ANY COMPONENT IS PROHIBITED.

THE VP ENGINEER'S SEAL APPLIES ONLY TO THE WORK PRODUCT OF VP AND DESIGN AND PERFORMANCE REQUIREMENTS SPECIFIED BY VP. THE VP ENGINEER'S SEAL DOES NOT APPLY TO THE PERFORMANCE OR DESIGN OF ANY OTHER PRODUCT OR COMPONENT FURNISHED BY VP EXCEPT TO ANY DESIGN OR PERFORMANCE REQUIREMENTS SPECIFIED BY VP.

THIS DRAWING, INCLUDING THE INFORMATION HEREON, REMAINS THE PROPERTY OF VP BUILDINGS. IT IS PROVIDED SOLELY FOR ERECTING THE BUILDING DESCRIBED IN THE APPLICABLE PURCHASE ORDER AND SHALL NOT BE MODIFIED, REPRODUCED OR USED FOR ANY OTHER PURPOSE WITHOUT PRIOR WRITTEN APPROVAL OF VP BUILDINGS.
 THE GENERAL CONTRACTOR AND/OR ERECTOR IS SOLELY RESPONSIBLE FOR ACCURATE GOOD QUALITY WORKMANSHIP IN ERECTING THIS BUILDING IN ACCORDANCE WITH THIS DRAWING, DETAILS REFERENCED IN THIS DRAWING, ALL APPLICABLE VP BUILDINGS ERECTION GUIDES, AND INDUSTRY STANDARDS PERTAINING TO PROPER ERECTION, INCLUDING THE CORRECT USE OF TEMPORARY BRACING.

VP Buildings				WALL SECONDARY SED'S			
3200 Players Club Circle Memphis TN 38125				BUILDER Patco			
REV	DATE	BY	DESCRIPTION	CUSTOMER	JOB # 12-4084		
				LOCATION	DATE 3/14/2013		
				PROJECT	DRAWN/CHECK COOP DC		
				BUILDERS PO#	PAGE 22		
NTS				FILENAME: Pack Edge addition BO			