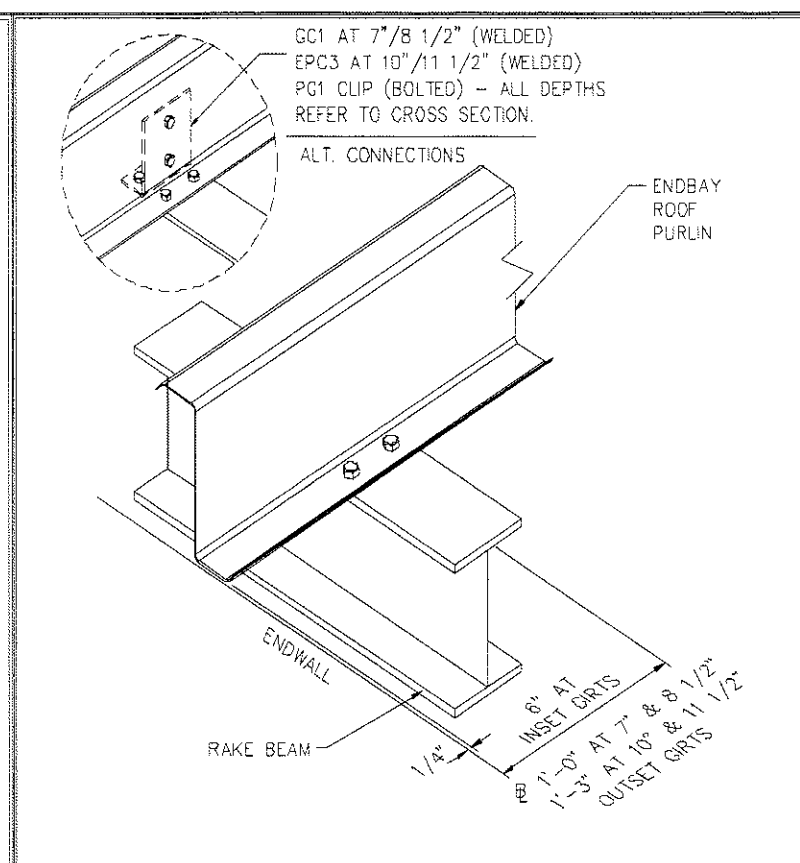
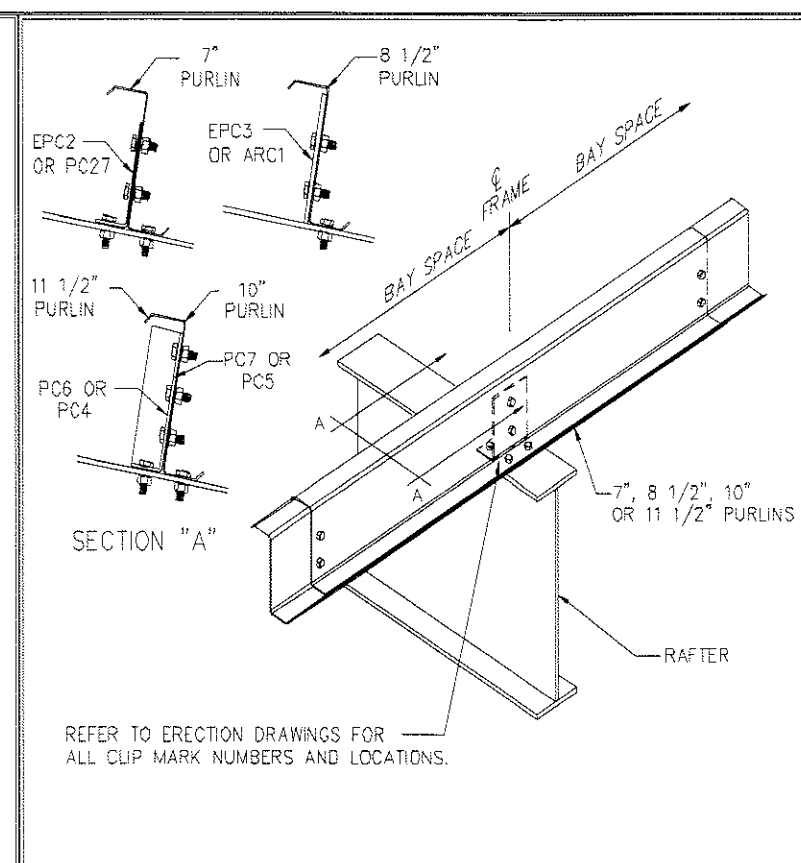


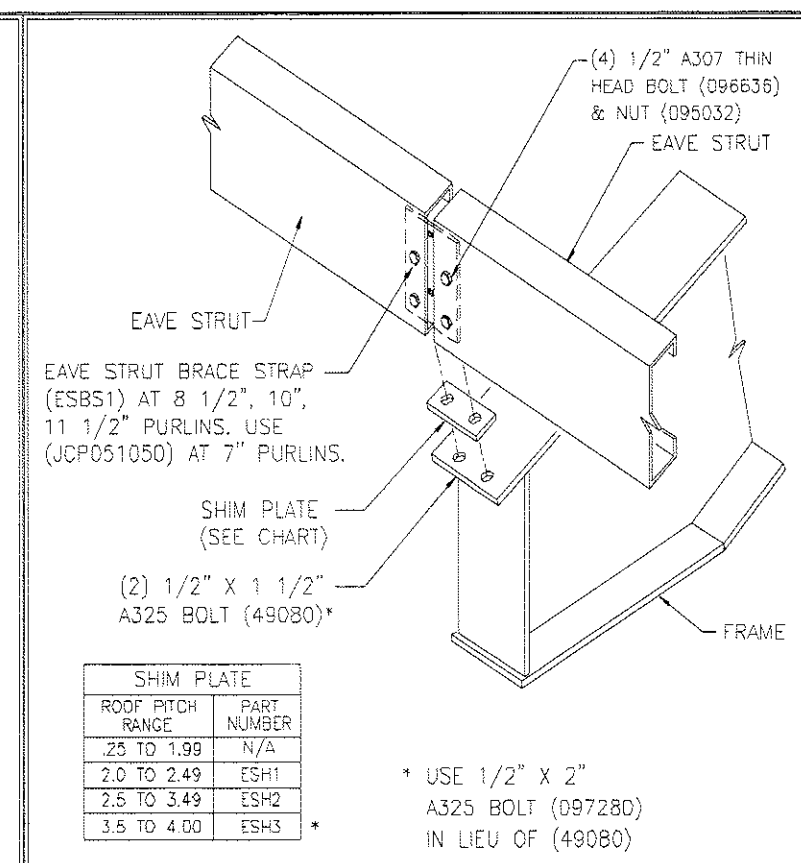
REV. DATE: 07/01/09 | REV. NO. 00  
**RS01T1** | PURLIN CONNECTION AT INTERIOR FRAME CONTINUOUS PURLINS



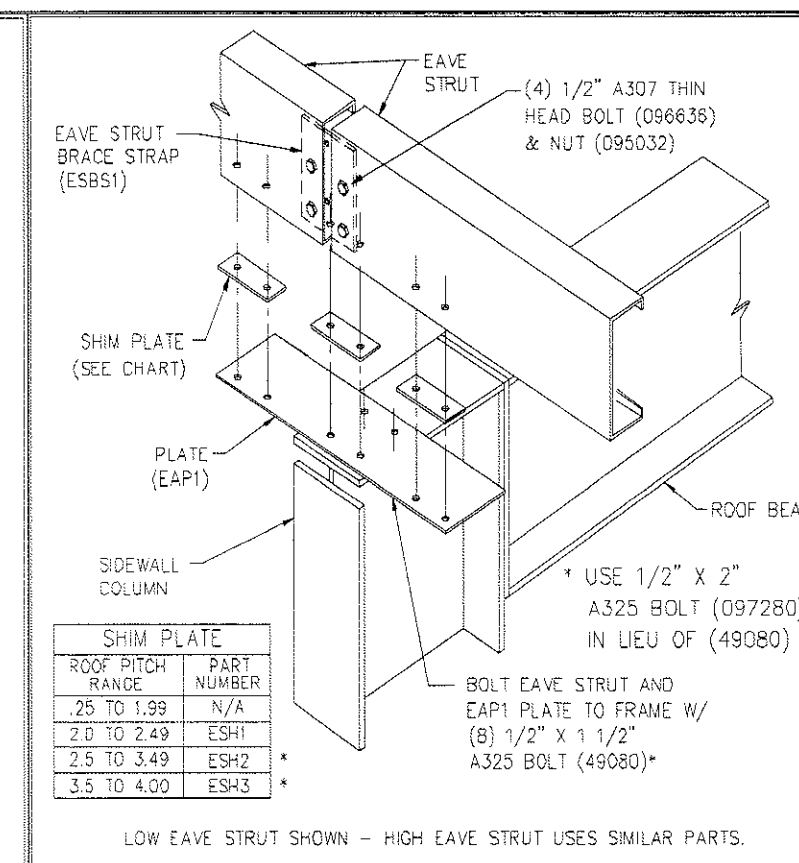
REV. DATE: 03/27/12 | REV. NO. 01  
**RS02T1** | PURLIN CONNECTION TO END FRAME CONTINUOUS PURLINS



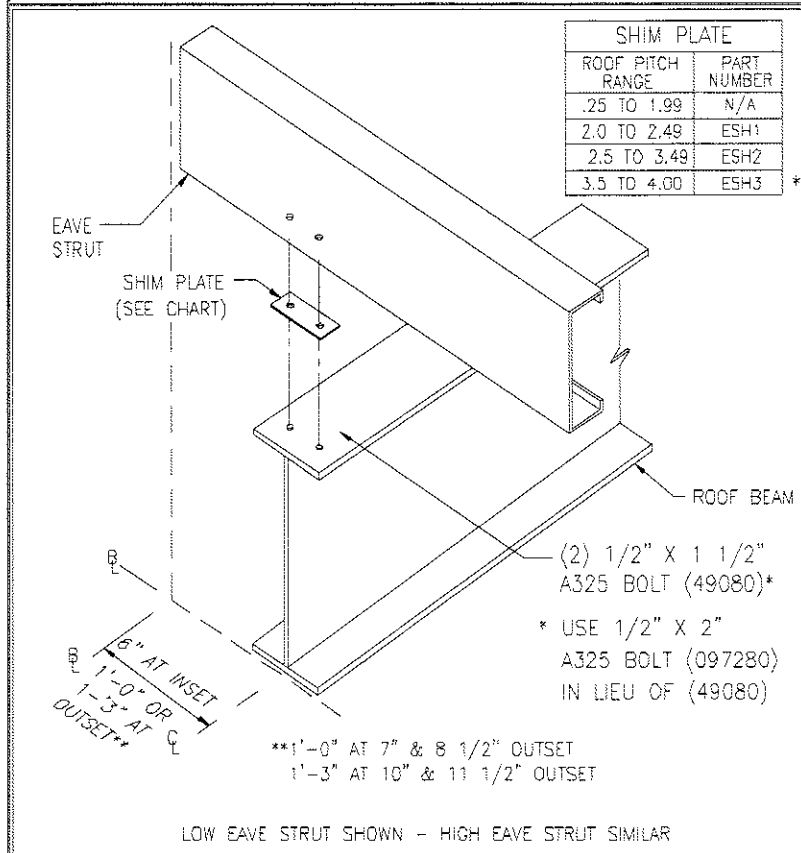
REV. DATE: 04/07/11 | REV. NO. 01  
**RS03J1** | ANTI-ROLL PURLIN CLIPS WHEN REQUIRED BY DESIGN



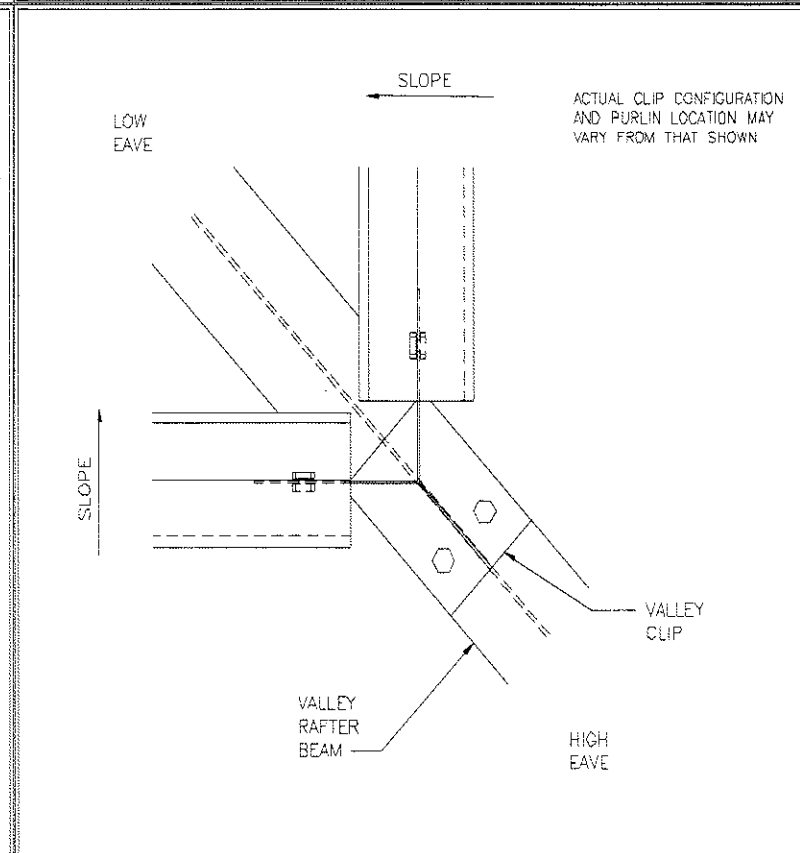
REV. DATE: 07/01/09 | REV. NO. 00  
**RS12PA** | EAVE STRUT CONNECTION AT INTERIOR FRAME



REV. DATE: 09/25/12 | REV. NO. 02  
**RS12PE** | EAVE STRUT W/ ATTACHMENT PLATE INTERIOR FRAME



REV. DATE: 07/01/09 | REV. NO. 00  
**RS12PH** | EAVE STRUT CONNECTION AT END FRAME



REV. DATE: 07/01/09 | REV. NO. 00  
**RS71A4** | VALLEY FRAMING PURLIN CLIP ATTACHMENT

1. UNLESS NOTED, USE 1/2 X 1 1/2 A-325 SNUG TIGHTENED BOLTS FOR ALL SECONDARY CONNECTIONS.  
 2. FLANGE BRACES ARE AN INTEGRAL PART OF THE STABILITY OF THE STRUCTURAL SYSTEM AND MUST BE PROPERLY INSTALLED PRIOR TO ERECTION OF WALL AND ROOF SHEETS.  
 3. REMOVAL OR ALTERATION OF ANY COMPONENT IS PROHIBITED.

THE VP ENGINEER'S SEAL APPLIES ONLY TO THE WORK PRODUCT OF VP AND DESIGN AND PERFORMANCE REQUIREMENTS SPECIFIED BY VP. THE VP ENGINEER'S SEAL DOES NOT APPLY TO THE PERFORMANCE OR DESIGN OF ANY OTHER PRODUCT OR COMPONENT FURNISHED BY VP EXCEPT TO ANY DESIGN OR PERFORMANCE REQUIREMENTS SPECIFIED BY VP.

THIS DRAWING, INCLUDING THE INFORMATION HEREON, REMAINS THE PROPERTY OF VP BUILDINGS. IT IS PROVIDED SOLELY FOR ERECTING THE BUILDING DESCRIBED IN THE APPLICABLE PURCHASE ORDER AND SHALL NOT BE MODIFIED, REPRODUCED OR USED FOR ANY OTHER PURPOSE WITHOUT PRIOR WRITTEN APPROVAL OF VP BUILDINGS.  
 THE GENERAL CONTRACTOR AND/OR ERECTOR IS SOLELY RESPONSIBLE FOR ACCURATE GOOD QUALITY WORKMANSHIP IN ERECTING THIS BUILDING IN ACCORDANCE WITH THIS DRAWING, DETAILS REFERENCED IN THIS DRAWING, ALL APPLICABLE VP BUILDINGS ERECTION GUIDES, AND INDUSTRY STANDARDS PERTAINING TO PROPER ERECTION, INCLUDING THE CORRECT USE OF TEMPORARY BRACING.

VP Buildings				ROOF SECONDARY SED'S			
3200 Players Club Circle Memphis TN 38125							
REV	DATE	BY	DESCRIPTION	BUILDER	Patco		
				CUSTOMER			
				LOCATION	Portland, Maine		
				PROJECT	Pack Edge		
				BUILDERS POW			
NTS							