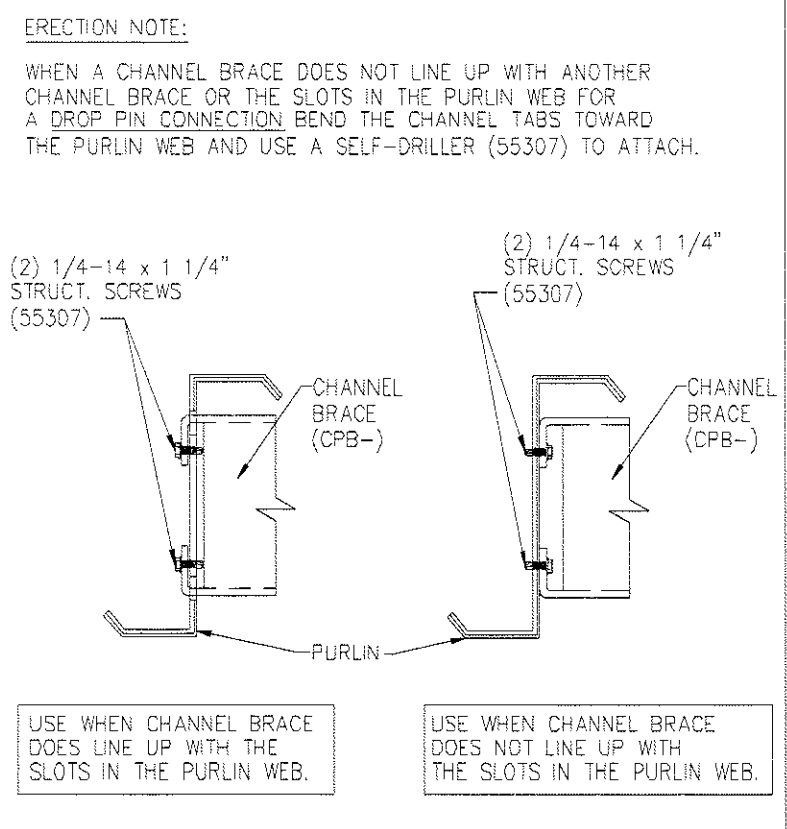
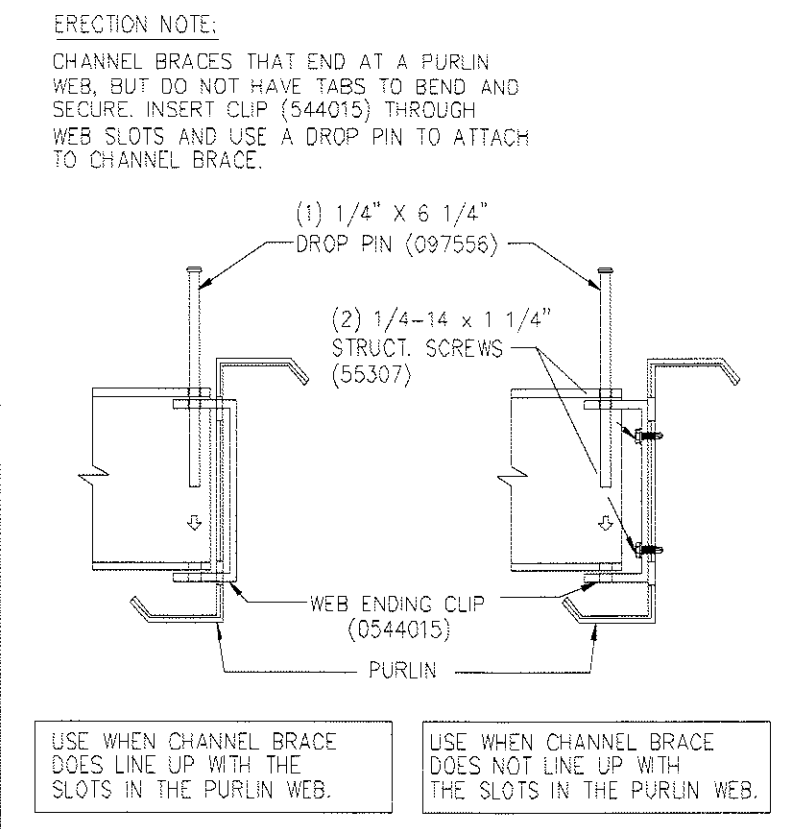


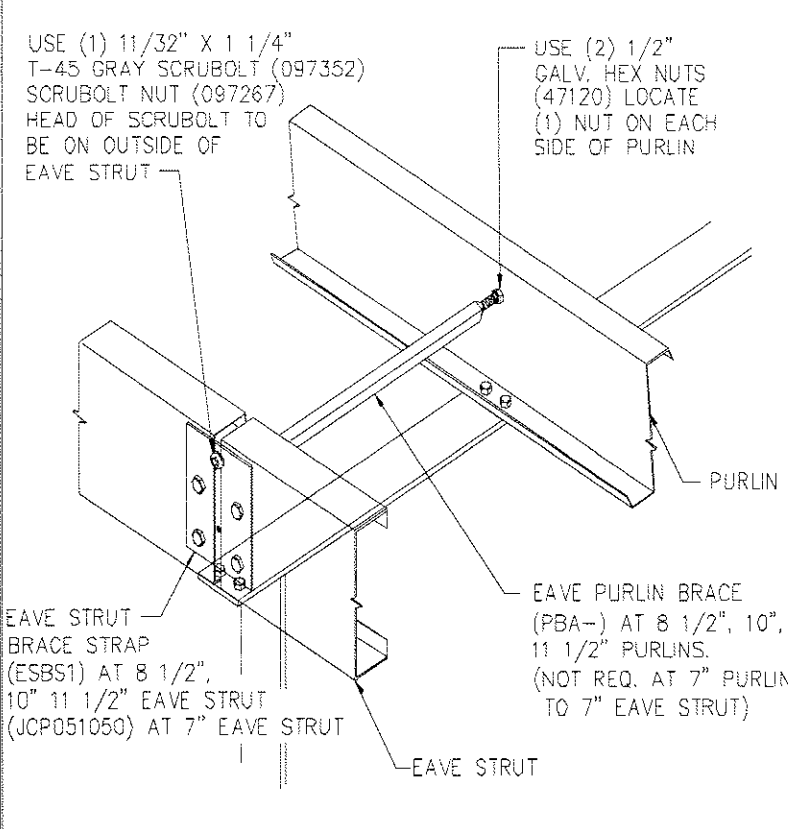
REV. DATE: 07/01/09 REV. NO. 00
 TYPICAL FLANGE BRACE CONNECTIONS
 CONT. PURLIN LAP SHOWN, CONT. GIRT & SIMPLE PURLIN
 BR06AE



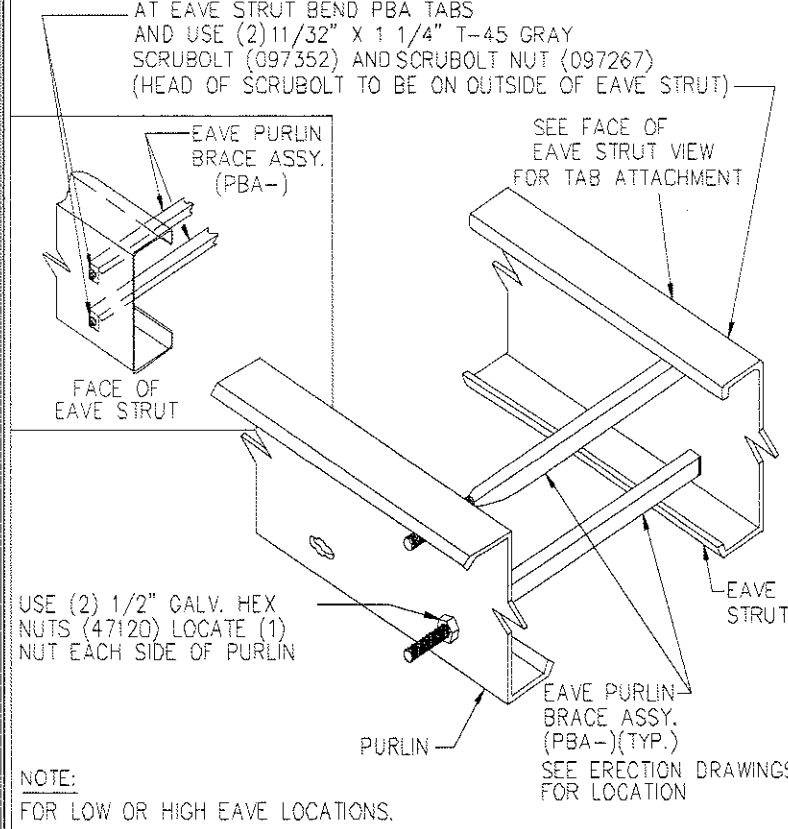
REV. DATE: 04/01/11 REV. NO. 01
 CHANNEL BRACE ENDING AT PURLIN WEB
 SELF-DRILLER WITH BENT TABS
 BR09JG



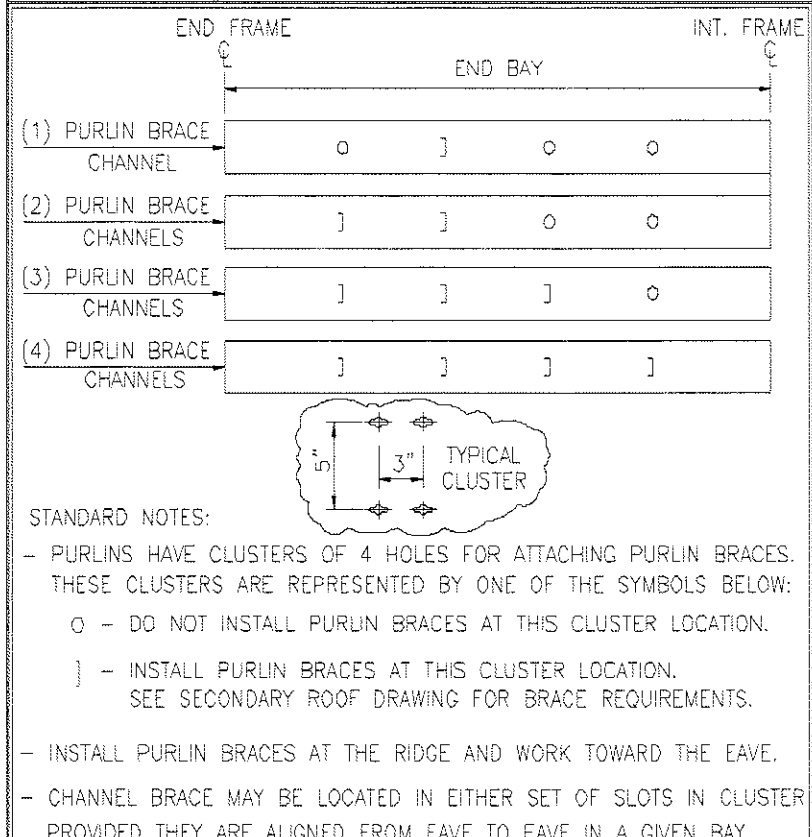
REV. DATE: 04/01/11 REV. NO. 01
 CHANNEL BRACE ENDING AT PURLIN WEB
 WEB ENDING CLIP WITH DROP PIN
 BR09JR



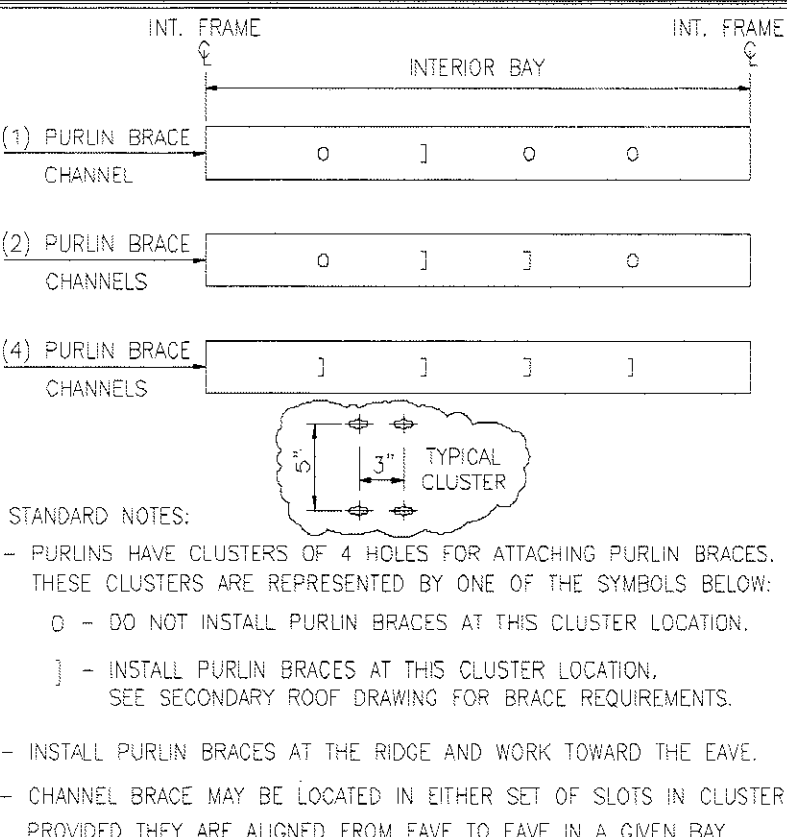
REV. DATE: 11/26/12 REV. NO. 03
 EAVE BRACE STRAP AND EAVE PURLIN BRACE
 LOCATED AT EAVE - CENTERLINE OF FRAME
 BR09K2



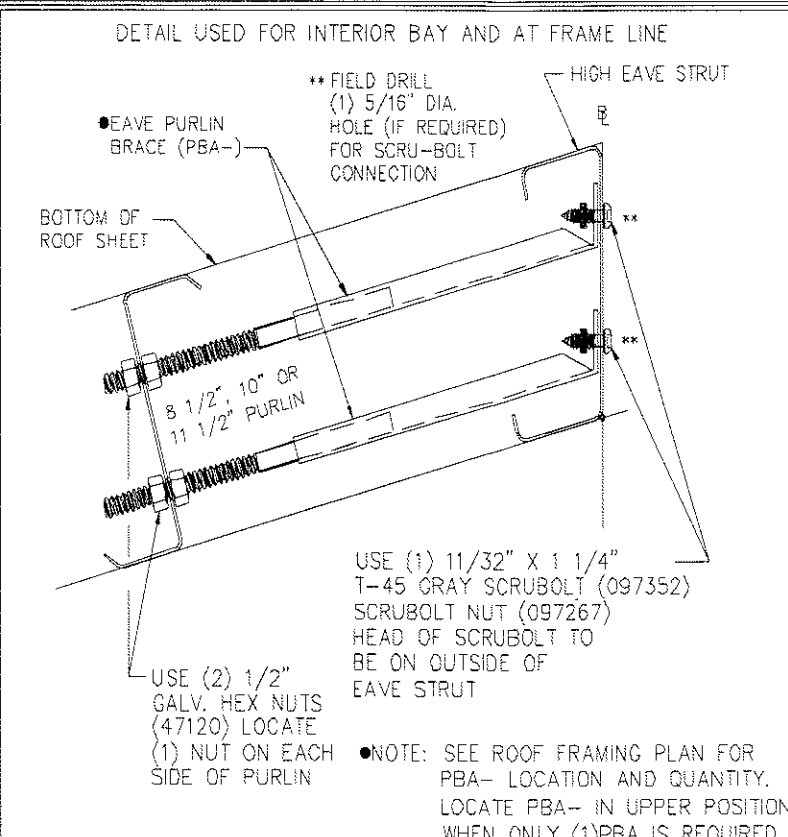
REV. DATE: 11/26/12 REV. NO. 04
 EAVE STRUT BRACE
 BR09K5



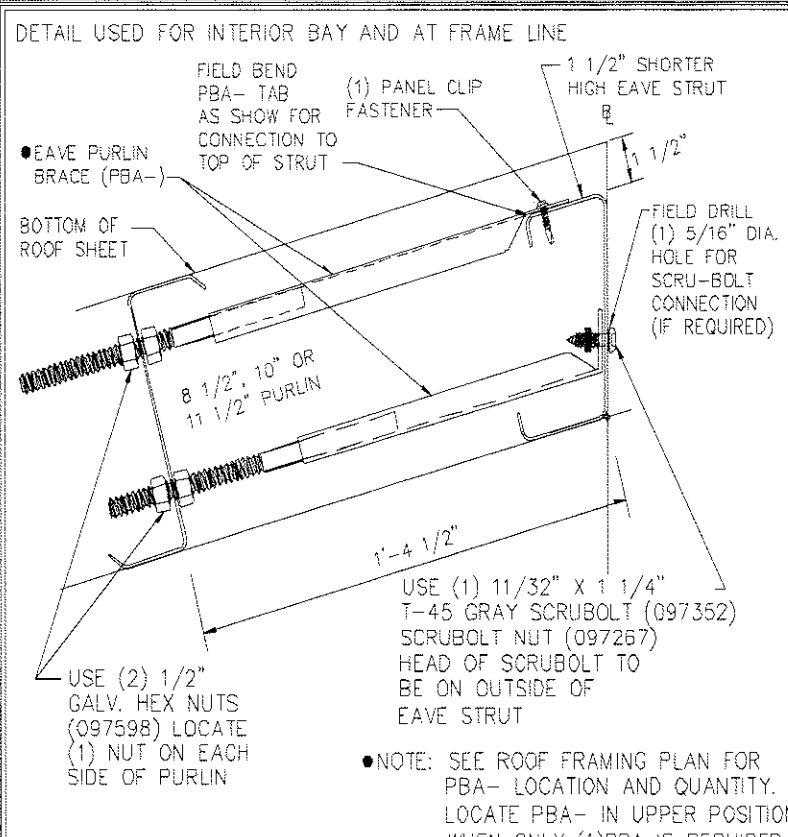
REV. DATE: 07/01/09 REV. NO. 00
 PURLIN BRACE CLUSTER LOCATION
 END BAY CHANNEL LOCATION
 BR09RY



REV. DATE: 07/01/09 REV. NO. 00
 PURLIN BRACE CLUSTER LOCATION
 INTERIOR BAY CHANNEL LOCATION
 BR09RZ



REV. DATE: 04/13/12 REV. NO. 01
 HIGH EAVE PURLIN BRACE
 ALL WALL PANEL TYPE
 BR09W2

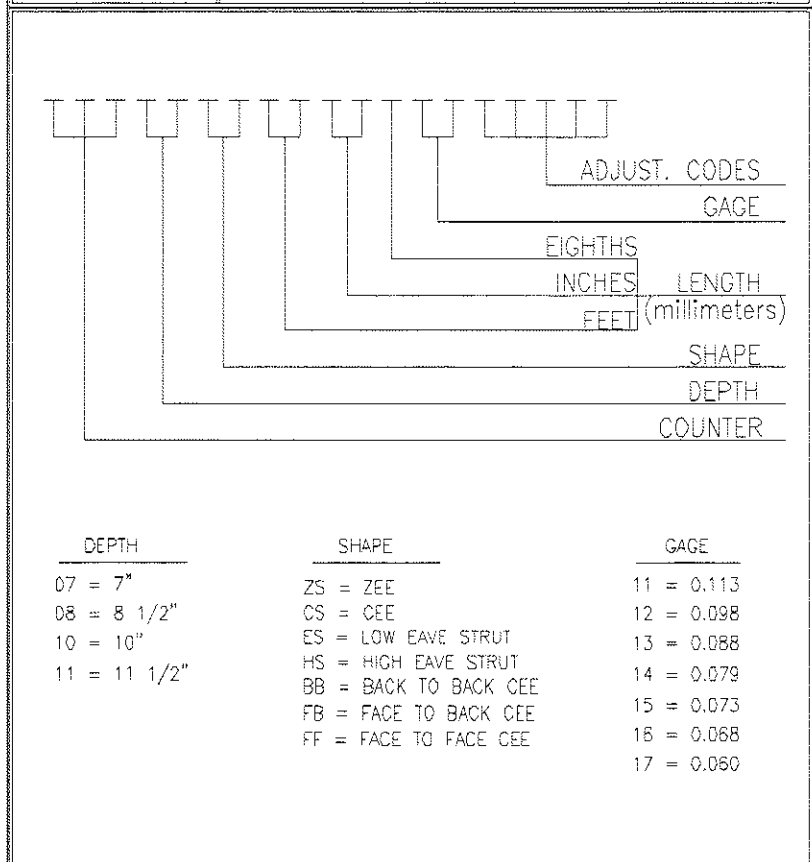


REV. DATE: 04/13/12 REV. NO. 00
 SSR/HWR/SLR HIGH EAVE STRUT
 ALL WALL PANEL TYPE
 BR09Y2

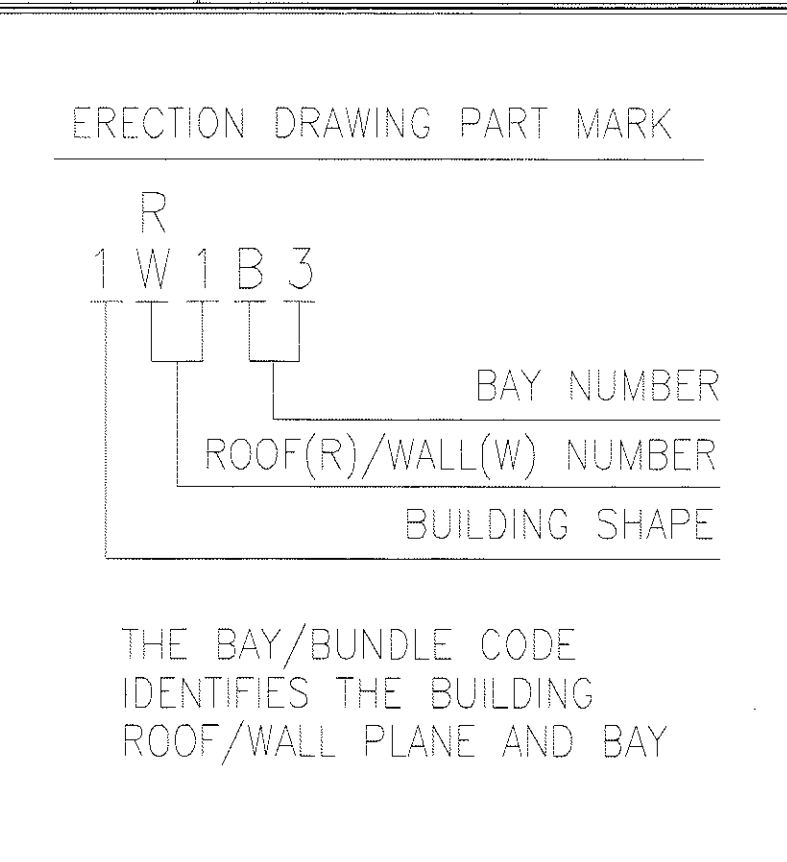
ADJUST. CODES
 GAGE
 EIGHTHS
 INCHES
 LENGTH
 FEET (millimeters)
 SHAPE
 DEPTH

| DEPTH | SHAPE | GAGE |
|--------------|---------------------|------------|
| 07 = 7" | Z = ZEE | 11 = 0.113 |
| 08 = 8 1/2" | C = CEE | 12 = 0.098 |
| 10 = 10" | E = LOW EAVE STRUT | 13 = 0.088 |
| 11 = 11 1/2" | H = HIGH EAVE STRUT | 14 = 0.079 |
| | | 15 = 0.073 |
| | | 16 = 0.068 |
| | | 17 = 0.060 |

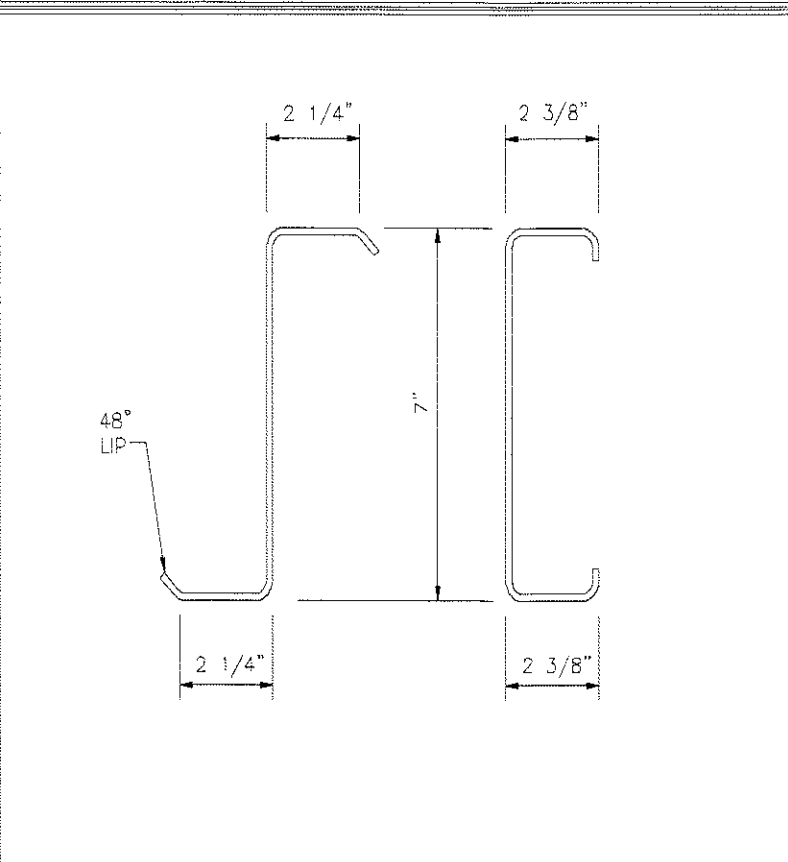
REV. DATE: 07/01/09 REV. NO. 00
 SECONDARY PART MARK NUMBER
 COMMON GENERATED MARK NUMBERS
 EN51B1



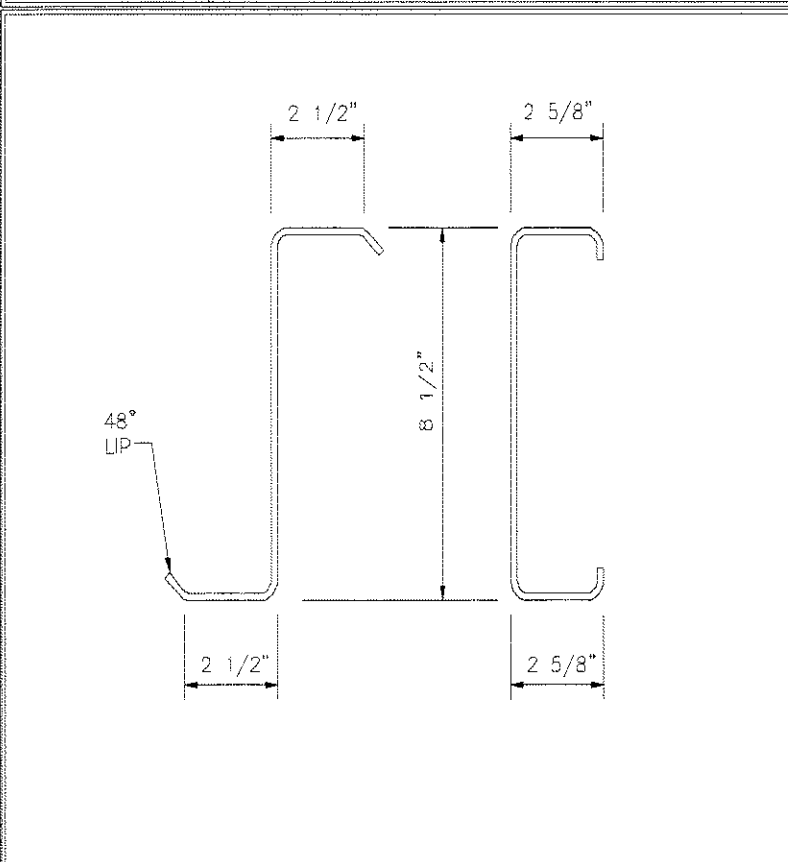
REV. DATE: 07/01/09 REV. NO. 00
 SPECIAL SECONDARY PART MARK KEY
 COMMON GENERATED MARK NUMBERS
 EN51B2



REV. DATE: 07/01/09 REV. NO. 00
 SECONDARY BUNDLE LOCATION KEY
 ALL SECONDARY DEPTHS
 EN51B3



REV. DATE: 07/01/09 REV. NO. 00
 PURLIN AND GIRT SIZES
 7" 178mm
 EN53E1



REV. DATE: 07/01/09 REV. NO. 00
 PURLIN AND GIRT SIZES
 8 1/2" 216mm
 EN53F1

1. UNLESS NOTED, USE 1/2 X 1 1/2 A-325 SNUG TIGHTENED BOLTS FOR ALL SECONDARY CONNECTIONS.
 2. FLANGE BRACES ARE AN INTEGRAL PART OF THE STABILITY OF THE STRUCTURAL SYSTEM AND MUST BE PROPERLY INSTALLED PRIOR TO ERECTION OF WALL AND ROOF SHEETS.
 3. REMOVAL OR ALTERATION OF ANY COMPONENT IS PROHIBITED.

THE VP ENGINEER'S SEAL APPLIES ONLY TO THE WORK PRODUCT OF VP AND DESIGN AND PERFORMANCE REQUIREMENTS SPECIFIED BY VP. THE VP ENGINEER'S SEAL DOES NOT APPLY TO THE PERFORMANCE OR DESIGN OF ANY OTHER PRODUCT OR COMPONENT FURNISHED BY VP EXCEPT TO ANY DESIGN OR PERFORMANCE REQUIREMENTS SPECIFIED BY VP.

THIS DRAWING, INCLUDING THE INFORMATION HEREON, REMAINS THE PROPERTY OF VP BUILDINGS. IT IS PROVIDED SOLELY FOR ERECTING THE BUILDING DESCRIBED IN THE APPLICABLE PURCHASE ORDER AND SHALL NOT BE MODIFIED, REPRODUCED OR USED FOR ANY OTHER PURPOSE WITHOUT PRIOR WRITTEN APPROVAL OF VP BUILDINGS.

THE GENERAL CONTRACTOR AND/OR ERECTOR IS SOLELY RESPONSIBLE FOR ACCURATE GOOD QUALITY WORKMANSHIP IN ERECTING THIS BUILDING IN ACCORDANCE WITH THIS DRAWING, DETAILS REFERENCED IN THIS DRAWING, ALL APPLICABLE VP BUILDINGS ERECTION GUIDES, AND INDUSTRY STANDARDS PERTAINING TO PROPER ERECTION, INCLUDING THE CORRECT USE OF TEMPORARY BRACING.

| VP Buildings | | | | ROOF SECONDARY SED'S | | | |
|---|------|----|-------------|---------------------------------|-----------------|--|--|
| 3200 Players Club Circle Memphis TN 38125 | | | | BUILDER Patco | | | |
| REV | DATE | BY | DESCRIPTION | CUSTOMER | DATE 3/14/2013 | | |
| | | | | LOCATION | Portland, Maine | | |
| | | | | PROJECT | Pack Edge | | |
| | | | | BUILDERS FOR | NTS | | |
| VP BUILDINGS | | | | JOB # 12-4084 | | | |
| A BlueScope Steel Company | | | | DRAWN/CHECK COOP DC | | | |
| VPC VERSION: 2012.3d | | | | PAGE 20 | | | |
| a division of BlueScope Buildings North America, Inc. | | | | FILENAME: Pack Edge addition BO | | | |